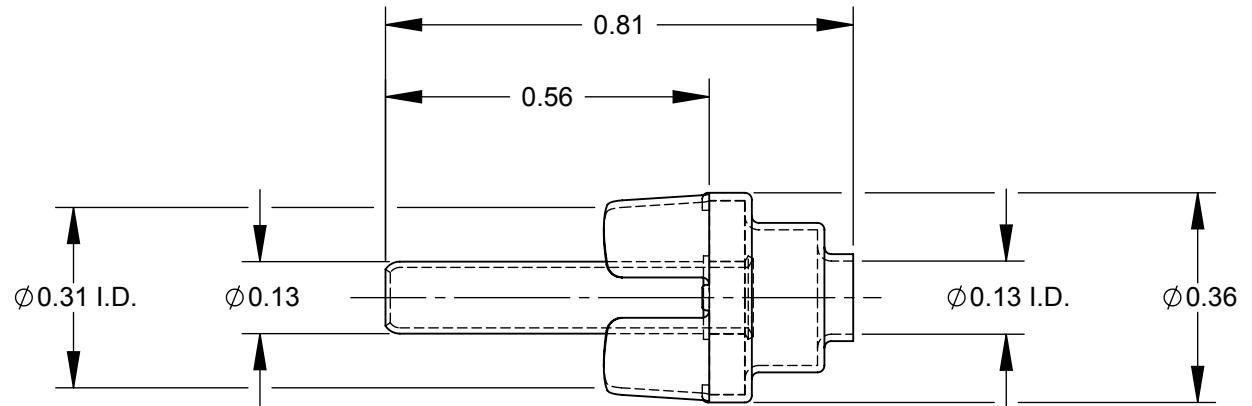
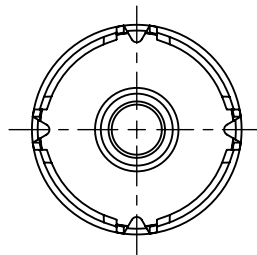
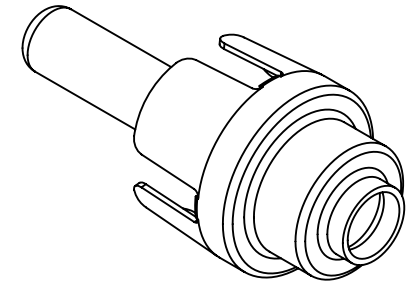


NOTES:

1. MATERIALS:  
 PIN - BRASS, NICKEL PLATED  
 INSULATION WAFER, XXXP  
 SLEEVE - BRASS, NICKEL PLATED
2. THIS PRODUCT IS RoHS COMPLIANT.



**CUSTOMER DRAWING**

					THIS DRAWING DESCRIBES A DESIGN CONSIDERED PROPRIETARY IN NATURE, DEVELOPED AND MANUFACTURED BY SWITCHCRAFT INC. AND IS RELEASED ON A CONFIDENTIAL BASIS FOR IDENTIFICATION PURPOSES ONLY.					
					SIZE	WIDTH	MULT	LBS/M	TEMPER	
UNLESS OTHERWISE SPECIFIED					FINISH			MATERIAL		
1. ALL DIMENSIONS IN INCHES					SEE NOTES			SEE NOTES		
- TWO PLACE DECIMALS ±0.02					SPEC No.			SPEC No.		
- THREE PLACE DECIMALS ±0.005					FIRST USED ON		SCALE			
							3:1			
A		25259	8-17-06	RF	TJK	DATE DRAWN		BY	CHKD	APVD
						8-17-06	RF	RF	8-17-06	TJK
						4-22-10				
REVISIONS					NAME					
					PHONO PLUG					
					TWO CONDUCTOR, RoHS					
					PART No.					
					3501MX					
					REV					
					A					

DO NOT SCALE DRAWING

SolidWorks CAD File

