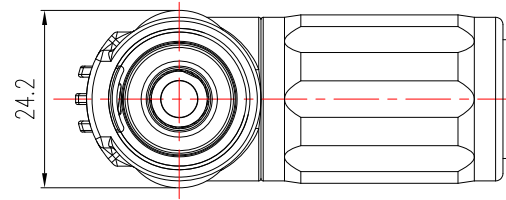
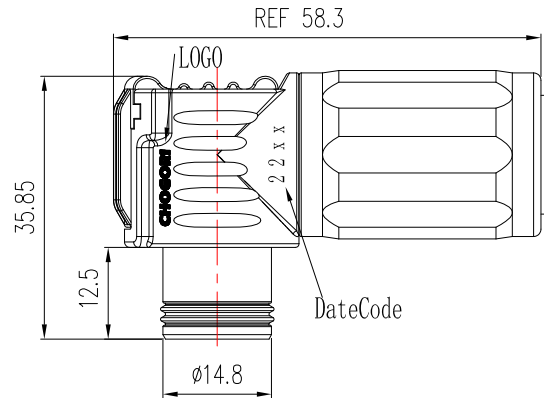


REV.	ECN NO.	DESCRIPTION	SIGN	DATE
C1		Initial Drawing	Deng	2021/11/20



Specification:

- 1.Operation Temperature: -40°C~85°C.
- 2.Insulation Resistance:100MΩ at DC500V.
- 3.Contact Resistance:<0.5mΩ.
- 4.Operating Current:150A MAX
- 5.Operating Voltage:1000V DC
- 6.Waterproof Rate:IP67 (Mated)
- 7.Plastic Body:Nylon
- 8.Female Pin:Copper Alloy, Ag Plated, Crimp Type
- 9.Seal Ring:Silicon
- 10.Wire Range:35mm<sup>2</sup>/2AWG
- 11.P/N:901-02985-00 Orange  
P/N:901-02986-00 Black
- 12.RoHS Compliant.

DateCode:

2 2 x x

Year: 22=2022  
23=2023  
...  
Week: 01=Week First,  
02=Week Two,  
...

UNIT: mm	DESCRIPTION NS08 Plug		<b>CHOGORI</b> <sup>®</sup>	PART NO 901-0298X-00	DRAWN BY Robin	DATE 2022/05/22
TOLERANCE .X ±0.50 .XX ±0.20 .XXX ±0.10 ANGLES ±1°	SCALE: 1:1	SHEET 1 OF 1		DWG NO	CHECKED BY IVAN	DATE 2022/05/22
REV. C1	SIZE A4	* :Inspection Item		CUSTOMER	APPROVED BY Panson	DATE 2022/05/22

THIS INFORMATION IS CONFIDENTIAL AND IS DISCLOSED TO YOU ON CONDITION THAT NO FURTHER DISCLOSURE IS MADE BY YOU TO OTHER THAN CHOGORI PERSONNEL WITHOUT AUTHORIZATION FROM CHOGORI CORP.