

SPECIFICATIONS

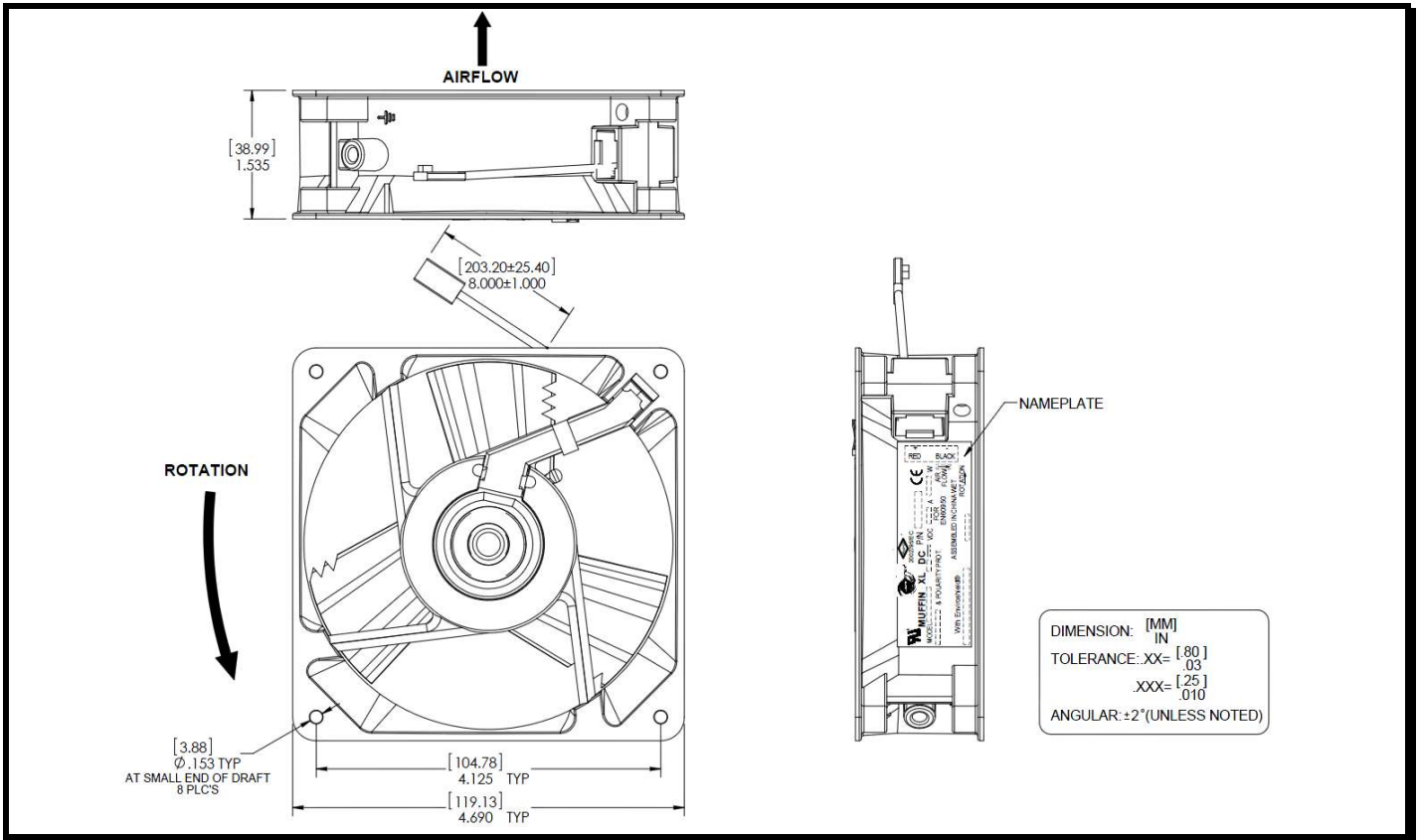
(RoHS Compliant)



Model Number: MDD48K6S3
Part Number: 19039646A

Dec. 31, 2015

Mechanical Drawing:



Motor:

Nominal Voltage	= 48 vdc
Operating Voltage Range	= 24 – 56 vdc
Nominal Running Current	= 0.160 amps
Locked Rotor Current	= 0.600 amps
Running Power	= 7.7 watts
Average Speed	= 3600 rpm
Bearings	= Ball
Air Flow	= 128 CFM
Acoustic	= 53.2 dBA

Construction:

Venturi: Polypropylene, Black, UL 94V-0
 Propeller: Polypropylene, Black, UL 94V-0

Life Expectancy:

This fan is designed for continuous duty life of 83,000 hours at 40°C

Agencies:

UL, CE

Additional Features:

Brushless DC Motor
 Electronic Locked Rotor Protection
 Automatic Restart Capability
 Polarity Protected
 Operating Temperature: -10°C to 70°C
 Storage Temperature: -40°C to 85°C
 Thermal Speed Control – PTC in hub

Tachometer Output:

Output: 5 volt TTL
 I_c: 5 mA. Typ.
 Pulses per Revolution: 1
 Isolated: No

Termination:

8" Harness, Lead wires -22AWG, UL1061
 Connector, Dupont 78211-003; Pins, Dupont 47565-000
 Shrink Tubing around Terminal Wires
 Pin 1: Red – Power
 Pin 2: Blue/White – Tachometer
 Pin 3: Black – Return