

40-65W Medical Class II AC-DC External Power Supplies

<https://product.tdk.com/en/power/dtm>
www.emea.lambda.tdk.com/dtm

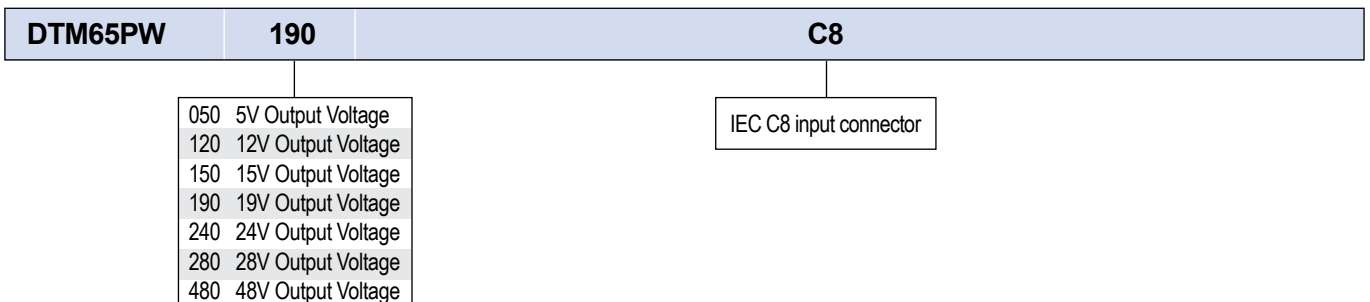


Medical Home Medical

The DTM65-C8 Class II 40 to 65W external power supplies are certified to IEC/ES/EN60601-1, EN60601-1-11 and are compliant to EN60601-1-2 (Ed4). All models also meet EN55011-B, FCC Class B conducted & radiated emissions. Requiring no earth ground, the DTM65-C8 series is ideally suited for a variety of Medical, Clinical and Home Healthcare applications, including diagnostic and monitoring equipment.

Features	Benefits
• Medical Safety Certifications and Immunity	• Suitable for Medical, Clinical and Home Healthcare Use
• Meets DoE Level VI (Level V for 5V model)	• Meets US Energy Saving Legislation
• >88% Average Efficiency, <0.21W No Load Power	• Consumes Less Energy
• 4kV (2xMOPP) Input to Output Isolation	• Suitable for B and BF Rated Equipment
• Wide Range AC, Class II Input IEC320-C8	• Global Operation, No Earth Required

Model Selector							
Model	Output Voltage (V)	Max Current (A)	Max Power (W)	Overvoltage Protection (V)	Output Regulation (%)	Ripple & Noise (mVpk-pk)	DoE Efficiency Level
DTM65PW050C8	5	8	40	5.5 - 7.5	±5	50	V
DTM65PW120C8	12	5	60	13.2 - 18.0	±5	120	VI
DTM65PW150C8	15	4	60	16.5 - 22.5	±5	150	VI
DTM65PW190C8	19	3.42	65	20.9 - 28.5	±3	190	VI
DTM65PW240C8	24	2.7	65	26.4 - 36.0	±3	240	VI
DTM65PW280C8	28	2.32	65	30.8 - 42.0	±3	280	VI
DTM65PW480C8	48	1.35	65	52.8 - 72.0	±3	480	VI



Specification		
Model		DTM65-C8
Input		
Input Voltage range	Vac	90 - 264
Input Frequency	Hz	47 - 63
Input Current (90Vac)	A	2
Inrush Current at 230Vac (Cold Start)	A	<100 (25°C ambient)
Leakage Current	uA	<100
No Load Power Consumption	mW	<210
Hold Up Time (typ) at 115Vac Input	ms	10
Average Efficiency (1)	%	>88 (5V model: >83.8)
Conducted & Radiated EMI	-	EN55011-B
Immunity	-	EN60601-1-2
Insulation Class	-	Class II
Safety Agency Certifications	-	UL/EN/IEC60601-1, ANSI/AAMI ES60601-1, CSA-C22.2 No.60601, CE Mark (LVD, EMC and RoHS)
Output		
Voltage Accuracy	%	±1
Output Voltage Adjustment	-	None
Switching Frequency (Full Load)	kHz	45 - 65
Total Regulation	-	See Model Selector Table
Ripple & Noise (2)	-	See Model Selector Table
Temperature Coefficient	%/°C	±0.05
Minimum Load	-	No minimum load required
Overcurrent Protection	%	160 (Auto-Recovery)
Overvoltage Protection	-	See Model Selector Table (Cycle input power to reset)
Short Circuit Protection	-	Continuous - Hiccup Mode (Auto-Recovery)
Indicators	-	LED indicates DC output is on
Parallel Operation	-	Not possible
Environmental		
Operating Temperature	°C	0 to 60 derate linearly to 50% load from 40 to 60
Storage Temperature	°C	-10 to 70
Humidity (non condensing)	%RH	10 - 90
Cooling	-	Convection
Altitude	m	3,000
Withstand Voltage (For 1 minute)	Vac	Input to Output 4,000 (2xMOPP)
Isolation Resistance	MΩ	20
IP Rating	-	IP22
Vibration (Operating)	m/s ²	23.52 (10 - 55Hz: constant sweep 1 min X, Y, Z for 1 hour)
Shock	m/s ²	<196.1 (20G)
Other		
Weight (Typ)	g	240
Size (LxWxH)	mm	106 x 60 x 31
Size (LxWxH)	Inches	4.17 x 2.36 x 1.22
AC Input Connector	-	IEC 320-C8 (2 prong)
DC Output Connector	-	Kycon KPPx-4P or equivalent Pins 1 & 2: -Vout, Pins 3 & 4: +Vout
Cable Length & Thickness	-	1000mm; UL1571 #14 AWG
MTBF (MIL-HDBK), 100% load, 25°C	hrs	100,000
Warranty	yrs	3

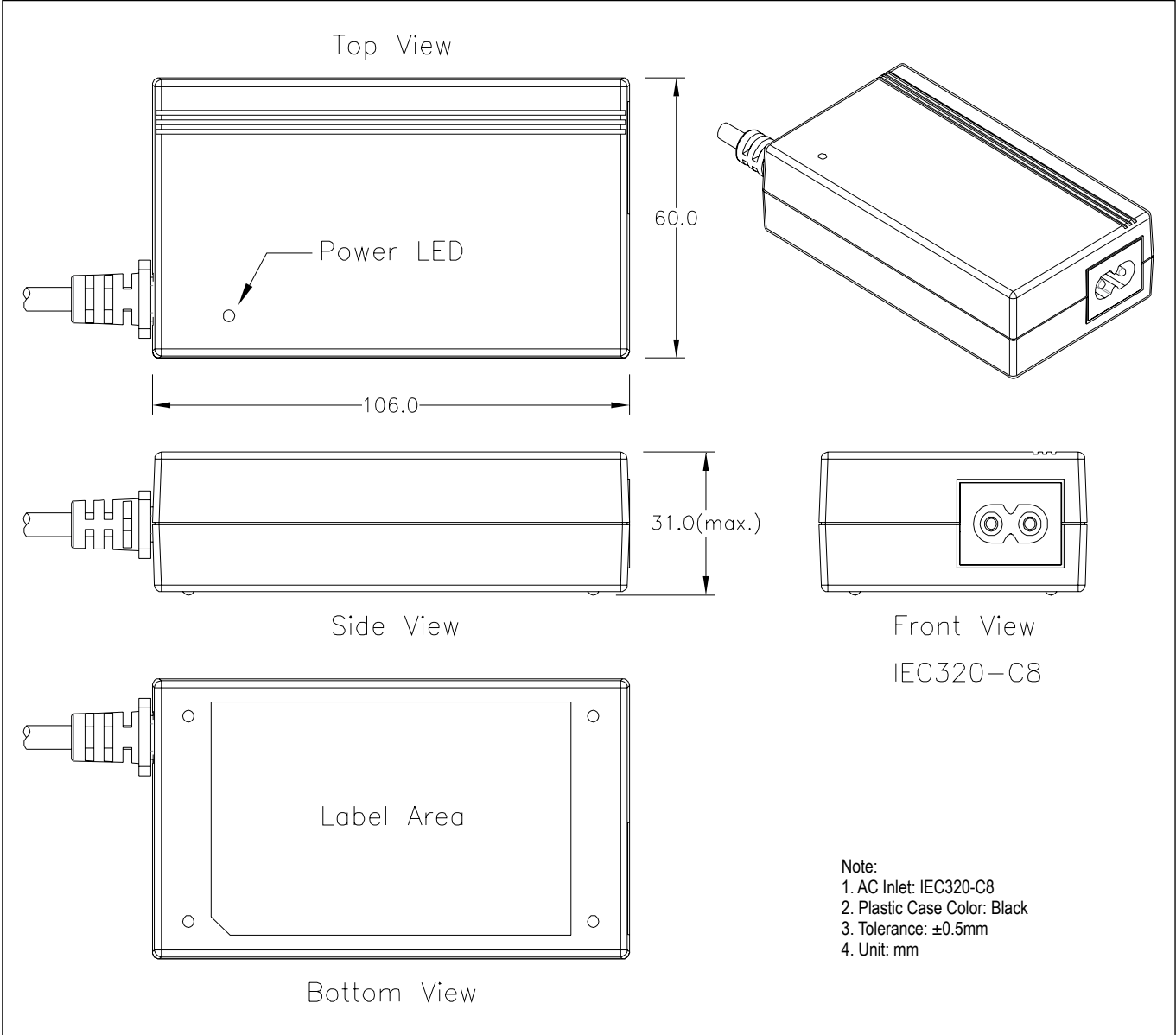
Notes

See website for detailed specifications, test methods and installation manual

(1) Measured at 25%, 50%, 75% and 100% load conditions

(2) Ripple and noise is measured at 20MHz BW. Add 0.1uF ceramic capacitor and 10uF Electrolytic capacitor in parallel across the output

Outline Drawing





TDK-Lambda France SAS

Tel: +33 1 60 12 71 65
france@fr.tdk-lambda.com
www.emea.lambda.tdk.com/fr



Italy Sales Office

Tel: +39 02 61 29 38 63
info.italia@it.tdk-lambda.com
www.emea.lambda.tdk.com/it



Netherlands

info@nl.tdk-lambda.com
www.emea.lambda.tdk.com/nl



TDK-Lambda Germany GmbH

Tel: +49 7841 666 0
info.germany@de.tdk-lambda.com
www.emea.lambda.tdk.com/de



Austria Sales Office

Tel: +43 2256 655 84
info@at.tdk-lambda.com
www.emea.lambda.tdk.com/at



Switzerland Sales Office

Tel: +41 44 850 53 53
info@ch.tdk-lambda.com
www.emea.lambda.tdk.com/ch



Nordic Sales Office

Tel: +45 8853 8086
info@dk.tdk-lambda.com
www.emea.lambda.tdk.com/dk



TDK-Lambda UK Ltd.

Tel: +44 (0) 12 71 85 66 66
info@uk.tdk-lambda.com
www.emea.lambda.tdk.com/uk



TDK-Lambda Ltd.

Tel: +9 723 902 4333
info@tdk-lambda.co.il
www.emea.lambda.tdk.com/il



C.I.S.

Commercial Support:

Tel: +7 (495) 665 2627

Technical Support:

Tel: +7 (812) 658 0463

info@tdk-lambda.ru

www.emea.lambda.tdk.com/ru



TDK-Lambda Americas

Tel: +1 800-LAMBDA-4 or 1-800-526-2324
powersolutions@us.tdk-lambda.com
www.us.lambda.tdk.com



TDK Electronics do Brasil Ltda

Tel: +55 11 3289-9599
sales.br@tdk-electronics.tdk.com
www.tdk-electronics.tdk.com/en



TDK-Lambda Corporation

Tel: +81-3-6778-1113
www.jp.lambda.tdk.com



TDK-Lambda (China) Electronics Co. Ltd.

Tel: +86 21 6485-0777
powersolutions@cn.tdk-lambda.com
www.lambda.tdk.com.cn



TDK-Lambda Singapore Pte Ltd.

Tel: +65 6251 7211
tts.mkt@sg.tdk-lambda.com
www.sg.lambda.tdk.com



TDK India Private Limited, Power Supply Division

Tel: +91 80 4039-0660
mathew.philip@in.tdk-lambda.com
www.sg.lambda.tdk.com

