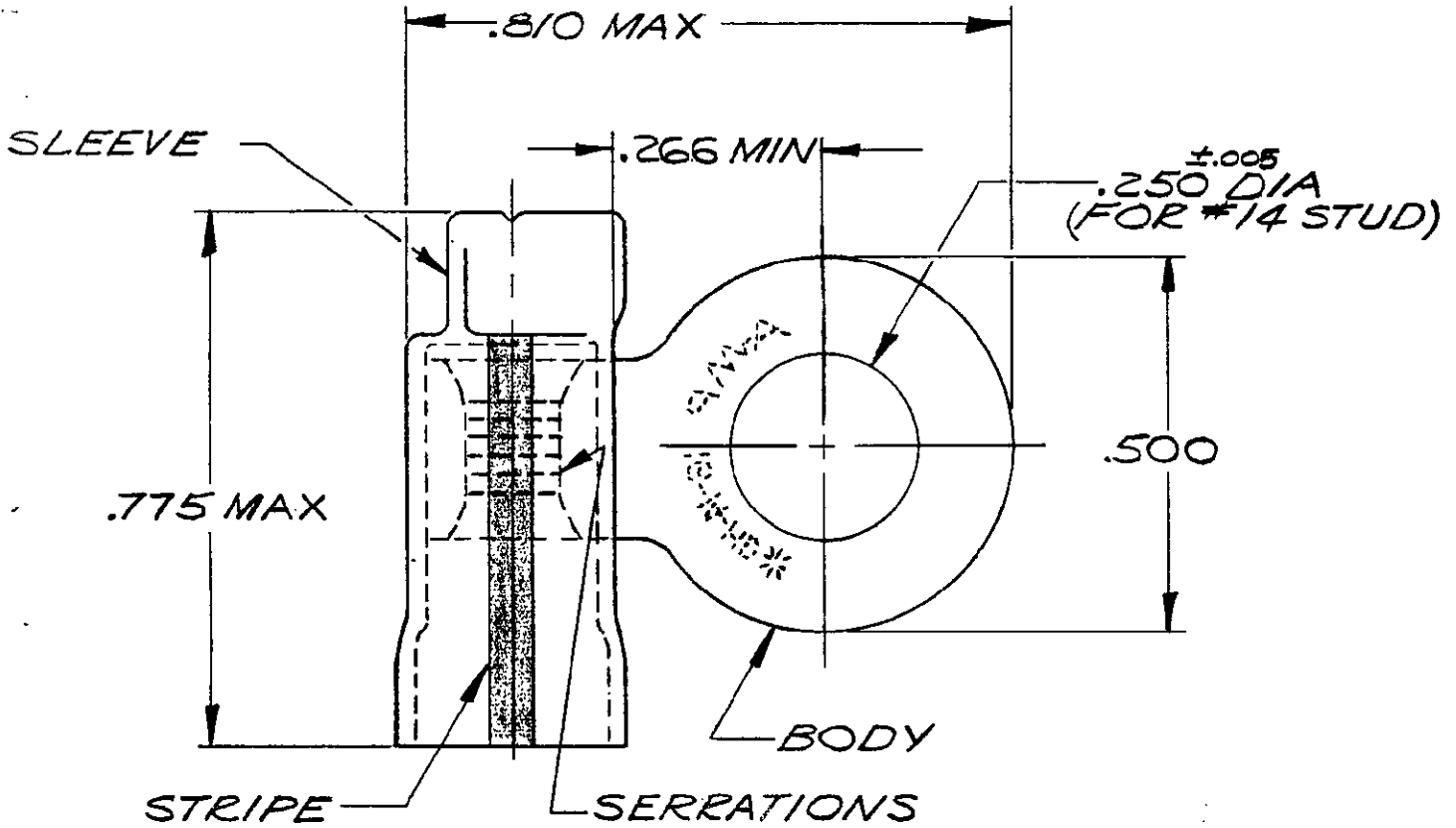


DRAWING MADE IN AMERICAN PROJECTION

LOC **G** PRINT DIST **14**

© 1954 BY AMP INCORPORATED. ALL RIGHTS RESERVED. AMP PRODUCTS COVERED BY PATENTS AND/OR PATENTS PENDING.

REVISIONS			
LTR	DESCRIPTION	DATE	APPROVED
E	REV/0L20-0085-97	11/13-97	ME/SB
C	REV/G-020492	LO 10/92	ME
D	REV/0720-0309-93	LO 9/93	ME



COLOR: BLACK

TONGUE MAT'L THK .048 ±.002

1	.320 MAX	322313-0	SLEEVE: PVC, COLOR: NATURAL
		OBSOLETE	
1	.150 - .230	322313	BODY: COPPER (QQ-C-576) TIN PLATE (MIL-T-10727)

QTY	FOR WIRE INS. DIA.	PART NO.	MATERIAL AND FINISH
-----	--------------------	----------	---------------------

UNLESS OTHERWISE SPECIFIED DIMENSIONS ARE IN INCHES
TOLERANCES ON:
DECIMALS ± .008
ANGLES ± 5°

CONTRACT NO.	#
DR.	<i>Stair Sink</i> 4-17-69
CHK	<i>H. Young</i> 4-17-69
APPD	<i>H. Young</i> 4-17-69
REL	<i>M. Encarnacion</i>
DSGN APPD	
OTHER APPD	

MATERIAL

SEE TABLE

AMP		AMP INCORPORATED HARRISBURG, PENNSYLVANIA	
NAME WIRE TERMINAL PLASTI-GRIP-RING TONGUE-FLAG WIRE SIZE: 16-14 HD			
SIZE	CODE IDENT NO.	NUMBER	
A	00779	322313	
SCALE 4:1		SHEET 1 OF 1	