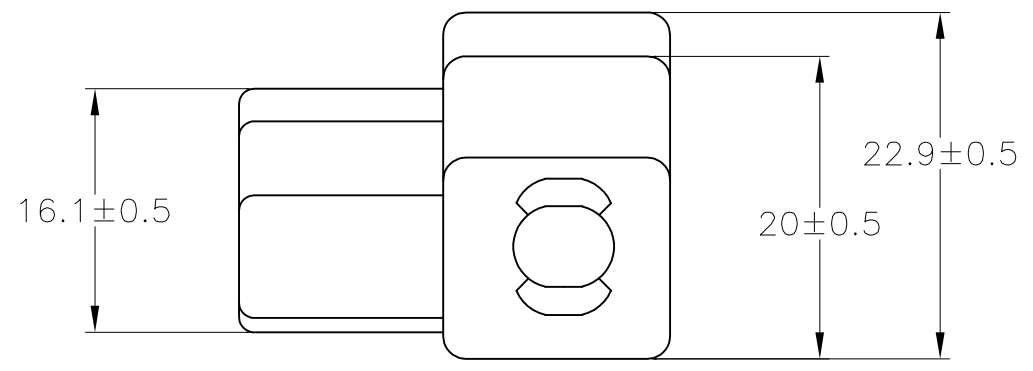
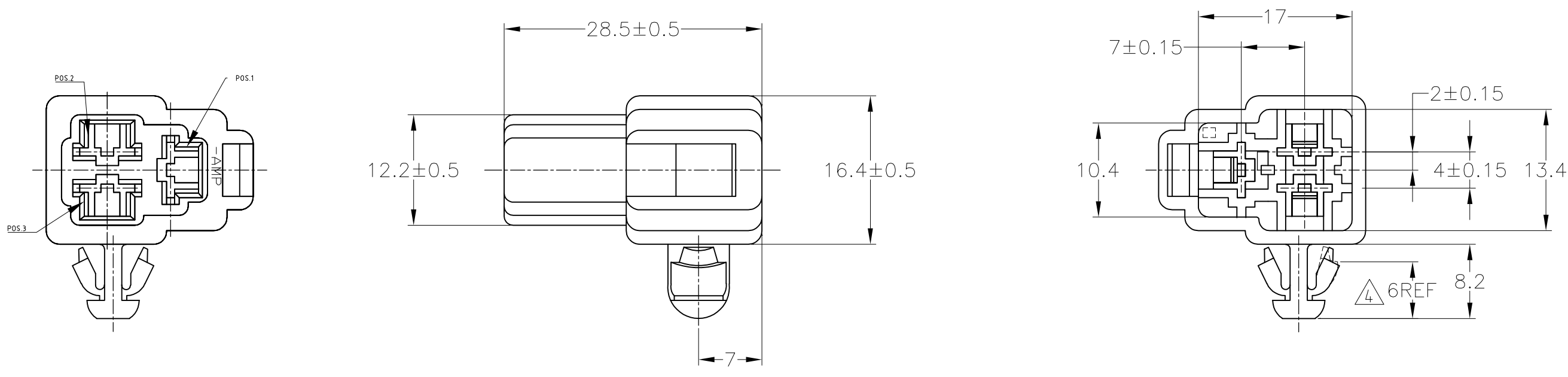


THIS DRAWING IS UNPUBLISHED. RELEASED FOR PUBLICATION  
 © COPYRIGHT BY TYCO ELECTRONICS CORPORATION. ALL RIGHTS RESERVED.

LOC	DIST	REVISIONS					
		P	LTR	DESCRIPTION	DATE	DWN	APVD
J	—	B1	REDRAWN W/CHANGE	ECR-07-030673	19DEC07	TS	KB
		B2	REVISED PER ECO-13-017142		01NOV13	B.P	D.Z



- 1. 嵌合する相手ハウジングは型番 172132
- 2. 適用端子は型番 170340, 170341, 170349
- 3. 適用パネル穴径 7.0mm, 板厚 0.65~1.2mm
- 4. パネルに取付けた時のパネル内側に必要なスペース (参考寸法)

- 1. THE MATING COUNTERPART NUMBER 172132
- 2. APPLIDE CONTACT; PART NUMBER 170340, 170341 AND 170349.
- 3. APPLICABLE PANEL: HOLD DIMENSION 7.0mm  
: THICKNESS 0.65~1.2mm

- 4. A SPACING REQUIRED INSIDE OF THE PANEL FOR MOUNTING PANEL (REFERENCE DIMENSION)
- 5. OBSOLETE PARTS: OBSOLETE CIS STREAMLINING PER D.RENAUD/D.SINISI

 OBSOLETE	淡灰 LIGHT GRAY	6-172384-6
	黄 YELLOW	172384-7
	灰 GRAY	172384-6
	緑 GREEN	172384-4
	茶 BROWN	172384-3
	黒 BLACK	172384-2
	自然色 NATURAL	172384-1
COLOR 色	PART NUMBER 型番	

THIS DRAWING IS A CONTROLLED DOCUMENT.		DWN T.SHINOHARA 19DEC07	 Tyco Electronics Corporation Kawasaki, Japan													
DIMENSIONS: 単位: 耗 mm		CHK K.BETSUI 19DEC07														
TOLERANCES UNLESS OTHERWISE SPECIFIED: 一般公差		APVD K.BETSUI 19DEC07	NAME 名称 B2													
<table border="1"> <tr><td>0 PLC</td><td>± -</td></tr> <tr><td>1 PLC</td><td>± -</td></tr> <tr><td>2 PLC</td><td>± -</td></tr> <tr><td>3 PLC</td><td>± -</td></tr> <tr><td>4 PLC</td><td>± -</td></tr> <tr><td>ANGLES</td><td>± -</td></tr> </table>		0 PLC	± -	1 PLC	± -	2 PLC	± -	3 PLC	± -	4 PLC	± -	ANGLES	± -	PRODUCT SPEC 製品規格 —	250 SERIES HOUSING LANCE CONNECTOR 3POSITION CAP HOUSING PANEL MOUNT TYPE	
0 PLC	± -															
1 PLC	± -															
2 PLC	± -															
3 PLC	± -															
4 PLC	± -															
ANGLES	± -															
MATERIAL 材料 6/6 NYLON		FINISH 仕上 SEE TABLE	APPLICATION SPEC 取付適用規格 —	SIZE A3												
<table border="1"> <tr><td colspan="2">一般公差 (GENERAL TOLERANCE)</td></tr> <tr><td>10以下</td><td>: ±0.2</td></tr> <tr><td>10を超え 30以下</td><td>: ±0.25</td></tr> <tr><td>30を超え 100以下</td><td>: ±0.3</td></tr> <tr><td>角 度</td><td>: ±3°</td></tr> </table>		一般公差 (GENERAL TOLERANCE)		10以下	: ±0.2	10を超え 30以下	: ±0.25	30を超え 100以下	: ±0.3	角 度	: ±3°	WEIGHT —	CAGE CODE 00779	DRAWING NO 番号 G-172384		
一般公差 (GENERAL TOLERANCE)																
10以下	: ±0.2															
10を超え 30以下	: ±0.25															
30を超え 100以下	: ±0.3															
角 度	: ±3°															
CUSTOMER DRAWING			RESTRICTED TO —	SCALE 尺度 2:1												
			SHEET 1 OF 1	REV B2												