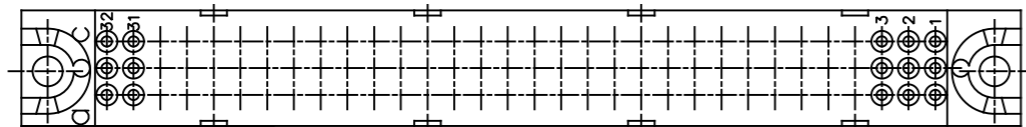
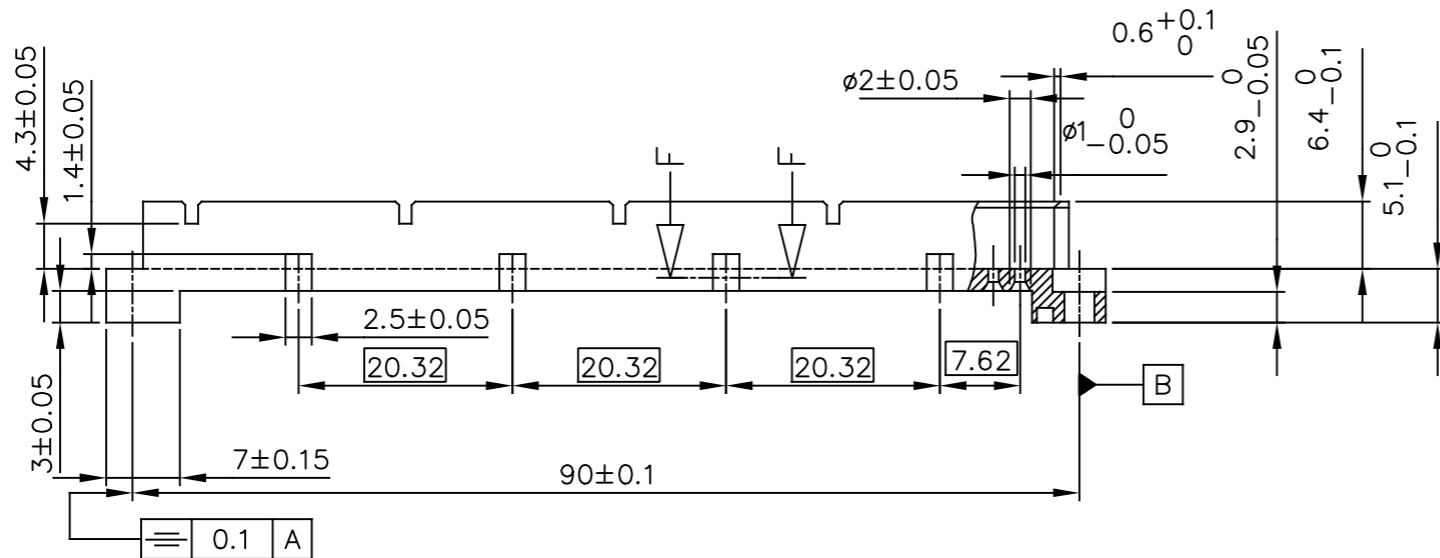
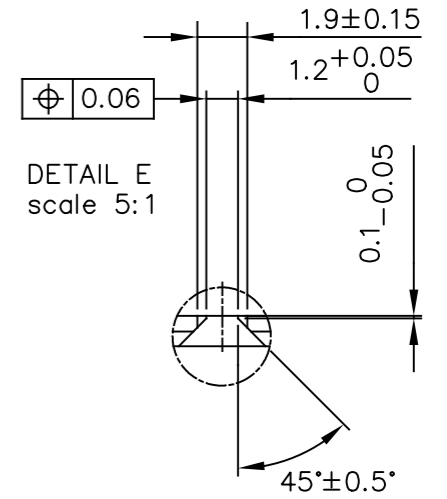
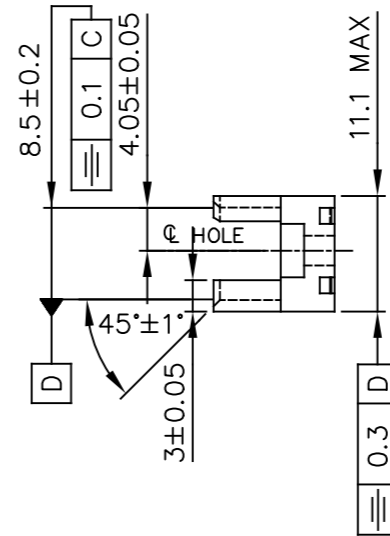
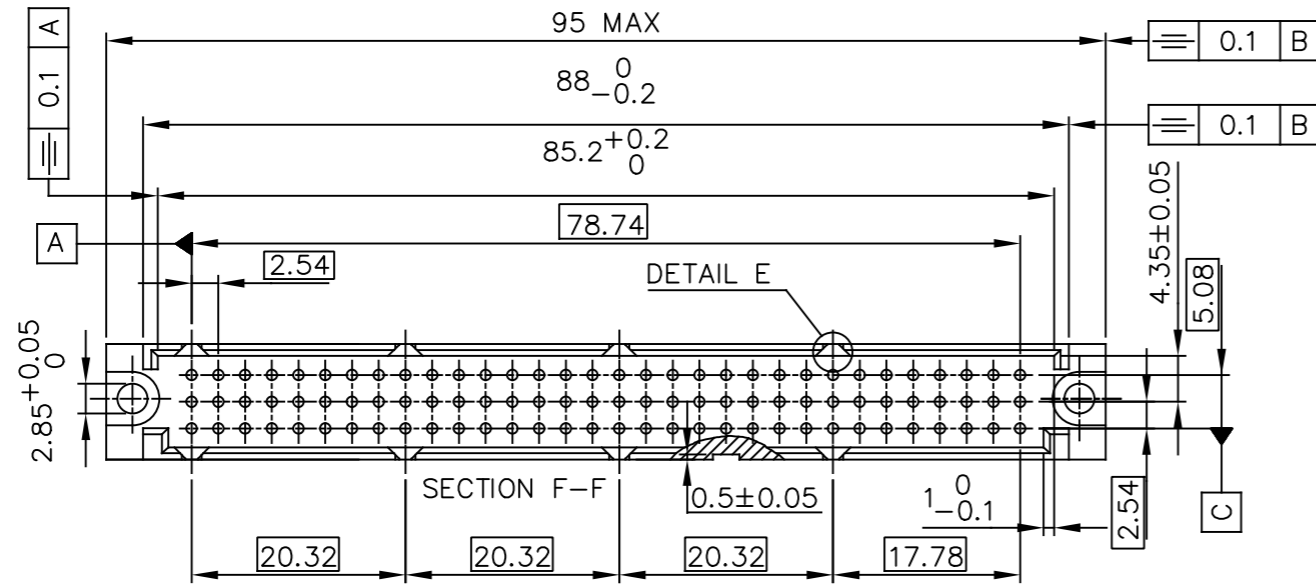


PRODUCT NUMBER	REMARKS
65191-001	see sheet 1
65191-002	see sheet 2

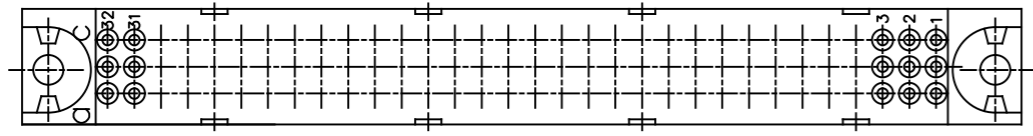
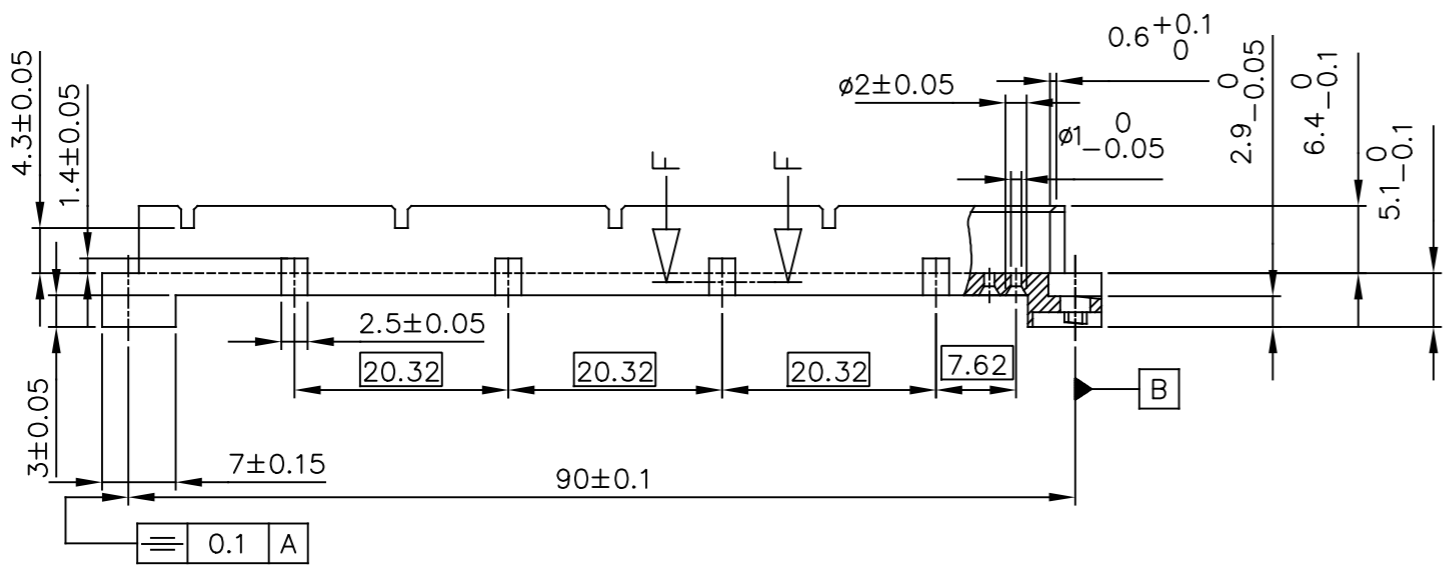
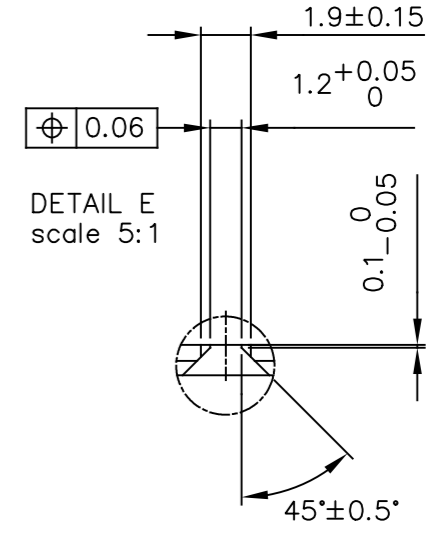
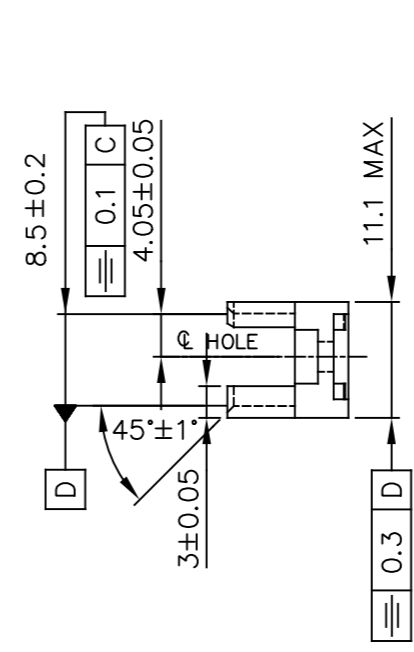
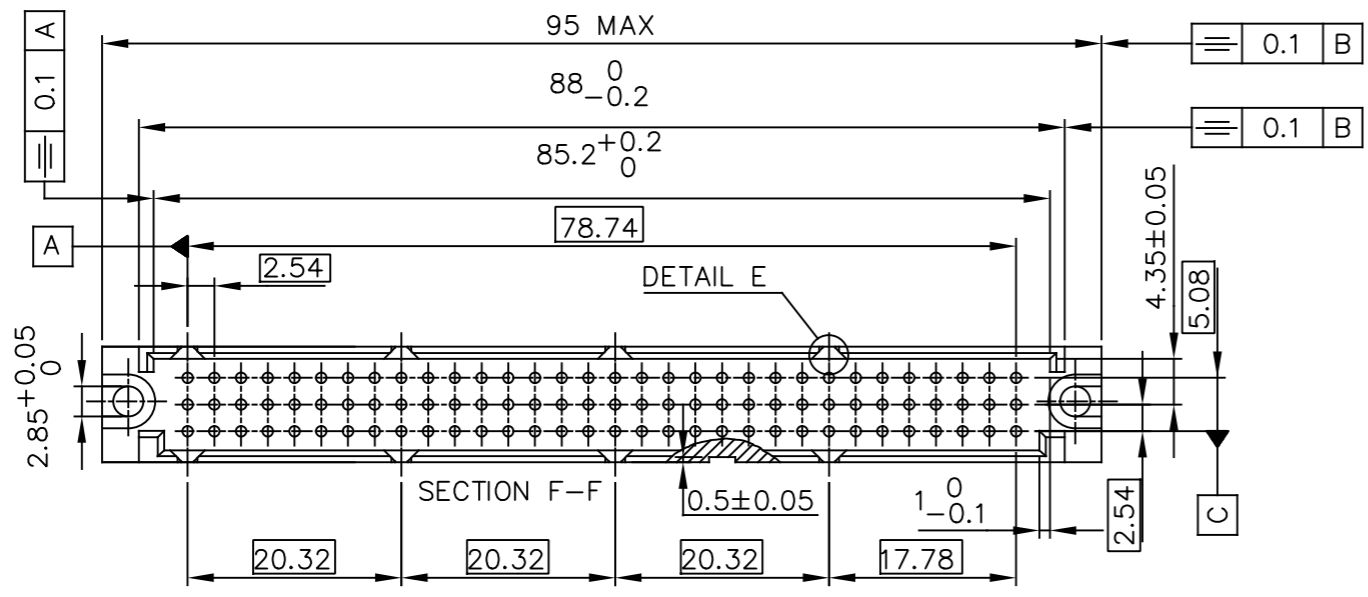


THERMOPLASTIC POLYESTER; FLAME RETARDANT PER UL-94-V0; COLOUR: GREY

mat'l. code				surface	tolerance	projection	product family		
SEE NOTE				ISO 1302	ISO 406	ISO 1101	BACKPANEL		
ltr	ecn no	dr	date	tolerances unless otherwise specified		mm	title		
K	H70344	DDB	1997-06-03	angles	linear		← mm →	B.P SHROUD	
L	F00406	LLA	2000-05-22			scale -			
M	I05-0123	MINI	2005-07-27						
N	I05-0248	MINI	2005-11-22	dr	D.LEGRAND	2000-10-09	dwg no		sheet 1 of 2
P	I06-0068	MINI	2006-06-01	enr	J.F.NOTTEAU	2000-10-09	65191		A2
R	I11-0139	MJA	2011-07-18	chr	M JACOB	2022-02*25	type Product Customer Drawing		
S	ELX-I-43920	MJA	2022-02-25	appd	SANOJ	2022-02-25			
sheet index	revision sheet	S	H	1	2				

- NOTES:-
- THIS PRODUCT MEETS EUROPEAN UNION DIRECTIVES AND OTHER COUNTRY REGULATIONS AS DESCRIBED IN GS-22-008.
 - LEADFREE OR RoHS DIRECTIVE LABELLING TO BE PROVIDED AS PER GS-14-920.
 - " LF " SUFFIX TO PRODUCT NUMBER FOR RoHS COMPATIBLE/ LEADFREE VERSION.
 - PARTS WITH AND WITHOUT "LF" SUFFIX ARE FORM-FIT AND FUNCTIONALLY IDENTICAL. " LF " SUFFIX PROVIDED FOR PART NUMBER STANDARDISATION OF PART THAT MEETS RoHS REQUIREMENTS.

PRODUCT NUMBER 65191-002



THERMOPLASTIC POLYESTER; FLAME RETARDANT PER UL-94-V0; COLOUR: GREY

mat'l. code SEE NOTE				surface ISO 1302 ✓		tolerance ISO 406 ISO 1101		projection mm		product family BACKPANEL	
ltr				ecn no		dr		date		title B.P SHROUD	
C				H70344		DDB		1997-06-03		sheet 2 of 2	
D				I05-0123		MINI		2005-07-27		size A2	
E				I05-0248		MINI		2005-11-22		type Product Customer Drawing	
F				I06-0068		MINI		2006-06-01		Amphenol FCI	
G				I11-0139		MJA		2011-07-18		65191	
H				ELX-I-43920		MJA		2022-02-25		65191	
sheet index				revision sheet		appd		SANJO		2022-02-25	

- NOTES:-
- THIS PRODUCT MEETS EUROPEAN UNION DIRECTIVES AND OTHER COUNTRY REGULATIONS AS DESCRIBED IN GS-22-008.
 - LEADFREE OR RoHS DIRECTIVE LABELLING TO BE PROVIDED AS PER GS-14-920.
 - " LF " SUFFIX TO PRODUCT NUMBER FOR RoHS COMPATIBLE/ LEADFREE VERSION.
 - PARTS WITH AND WITHOUT "LF " SUFFIX ARE FORM-FIT AND FUNCTIONALLY IDENTICAL. " LF " SUFFIX PROVIDED FOR PART NUMBER STANDARDISATION OF PART THAT MEETS RoHS REQUIREMENTS.

Amphenol FCI

Copyright AFCI