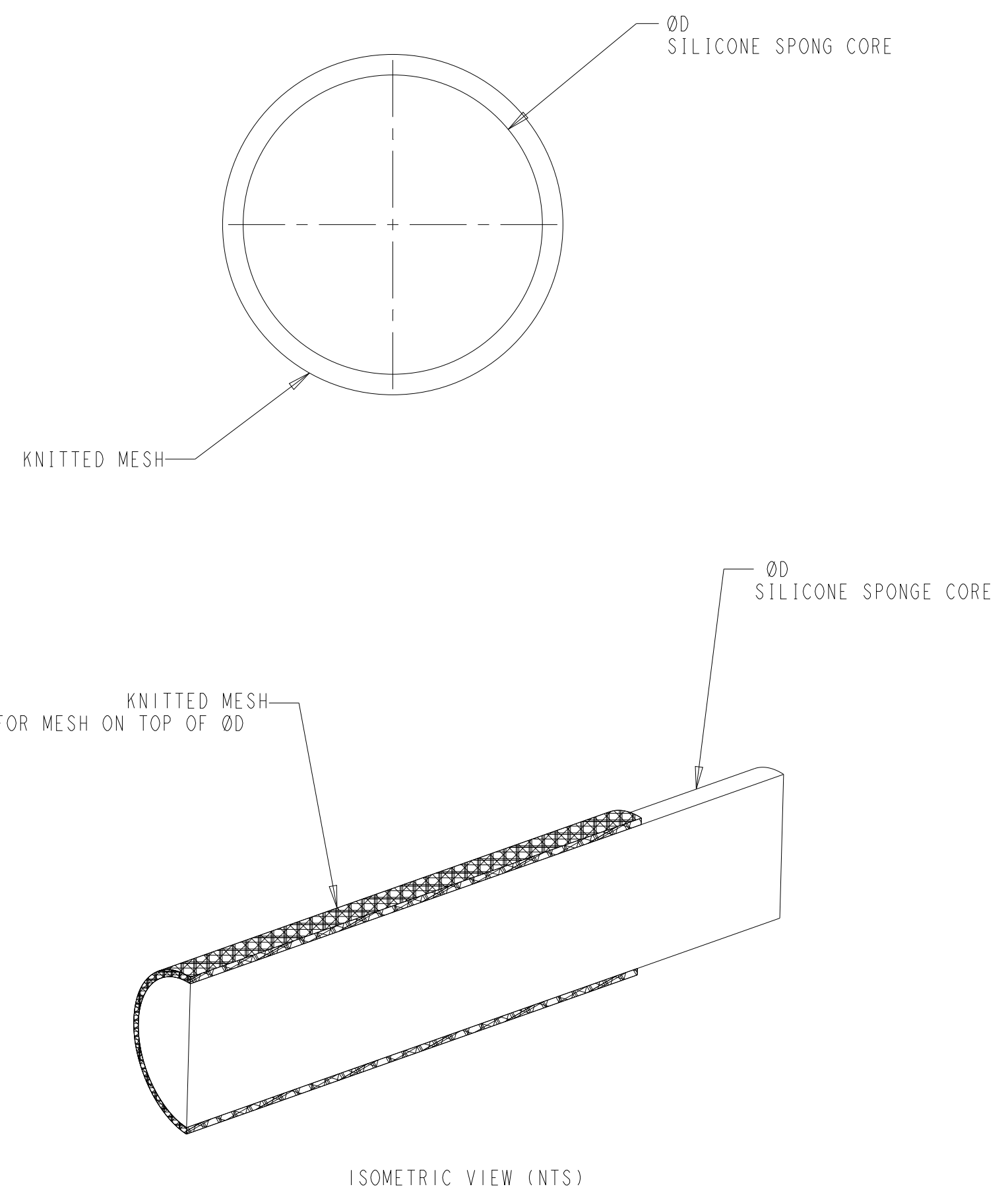


REVISIONS				
P	LTR	DESCRIPTION	DATE	APVD
	A	NEW DRAWING	01AUG2022	BDA DH



25000	6.4	STAINLESS STEEL (S/S+)	216-0064	2423875-1
25000	4.8	STAINLESS STEEL (S/S+)	216-0048	2423874-1
25000	3.2	STAINLESS STEEL (S/S+)	216-0032	2423873-1
25000	2.4	STAINLESS STEEL (S/S+)	216-0024	2423872-1
25000	6.4	TIN PLATED COPPER CLAD STEEL (TCS)	214-0064	2423871-1
25000	4.8	TIN PLATED COPPER CLAD STEEL (TCS)	214-0048	2423870-1
25000	3.2	TIN PLATED COPPER CLAD STEEL (TCS)	214-0032	2423869-1
25000	2.4	TIN PLATED COPPER CLAD STEEL (TCS)	214-0024	2423868-1
25000	6.4	MONEL ALLOY 400 WIRE (MON)	212-0064	2423867-1
25000	4.8	MONEL ALLOY 400 WIRE (MON)	212-0048	2423866-1
25000	3.2	MONEL ALLOY 400 WIRE (MON)	212-0032	2423865-1
25000	2.4	MONEL ALLOY 400 WIRE (MON)	212-0024	2423864-1
250	6.4	STAINLESS STEEL (S/S+)	216-0064-S	2423820-1
250	4.8	STAINLESS STEEL (S/S+)	216-0048-S	2423819-1
250	3.2	STAINLESS STEEL (S/S+)	216-0032-S	2423818-1
250	2.4	STAINLESS STEEL (S/S+)	216-0024-S	2423817-1
250	6.4	TIN PLATED COPPER CLAD STEEL (TCS)	214-0064-S	2423816-1
250	4.8	TIN PLATED COPPER CLAD STEEL (TCS)	214-0048-S	2423815-1
250	3.2	TIN PLATED COPPER CLAD STEEL (TCS)	214-0032-S	2423814-1
250	2.4	TIN PLATED COPPER CLAD STEEL (TCS)	214-0024-S	2423813-1
250	6.4	MONEL ALLOY 400 WIRE (MON)	212-0064-S	2423812-1
250	4.8	MONEL ALLOY 400 WIRE (MON)	212-0048-S	2423811-1
250	3.2	MONEL ALLOY 400 WIRE (MON)	212-0032-S	2423810-1
250	2.4	MONEL ALLOY 400 WIRE (MON)	212-0024-S	2423809-1
L	CORE ØD±0.8	MATERIAL	ALIAS PART NUMBER	PART NUMBER

THIS DRAWING IS A CONTROLLED DOCUMENT.

DWN: 01AUG2022
 BASAVARAJA D A
 CHK: 01AUG2022
 B SELVAPANDIAN
 APVD: 01AUG2022
 D. HEMMINGS

STE TE Connectivity

NAME: 21X-ROUND SILICONE SPONGE CORE

PRODUCT SPEC: -
 APPLICATION SPEC: -
 WEIGHT: -

MATERIAL: SEE TABLE

TOLERANCES UNLESS OTHERWISE SPECIFIED:
 0 PLC ±
 1 PLC ±
 2 PLC ±
 3 PLC ±
 4 PLC ±
 ANGLES ±
 FINISH -

SIZE: A2 CAGE CODE: 00779 DRAWING NO: ROUND-SS-CORE RESTRICTED TO: -
 SCALE: 25:1 SHEET: 1 OF 1 REV: A

CUSTOMER DRAWING