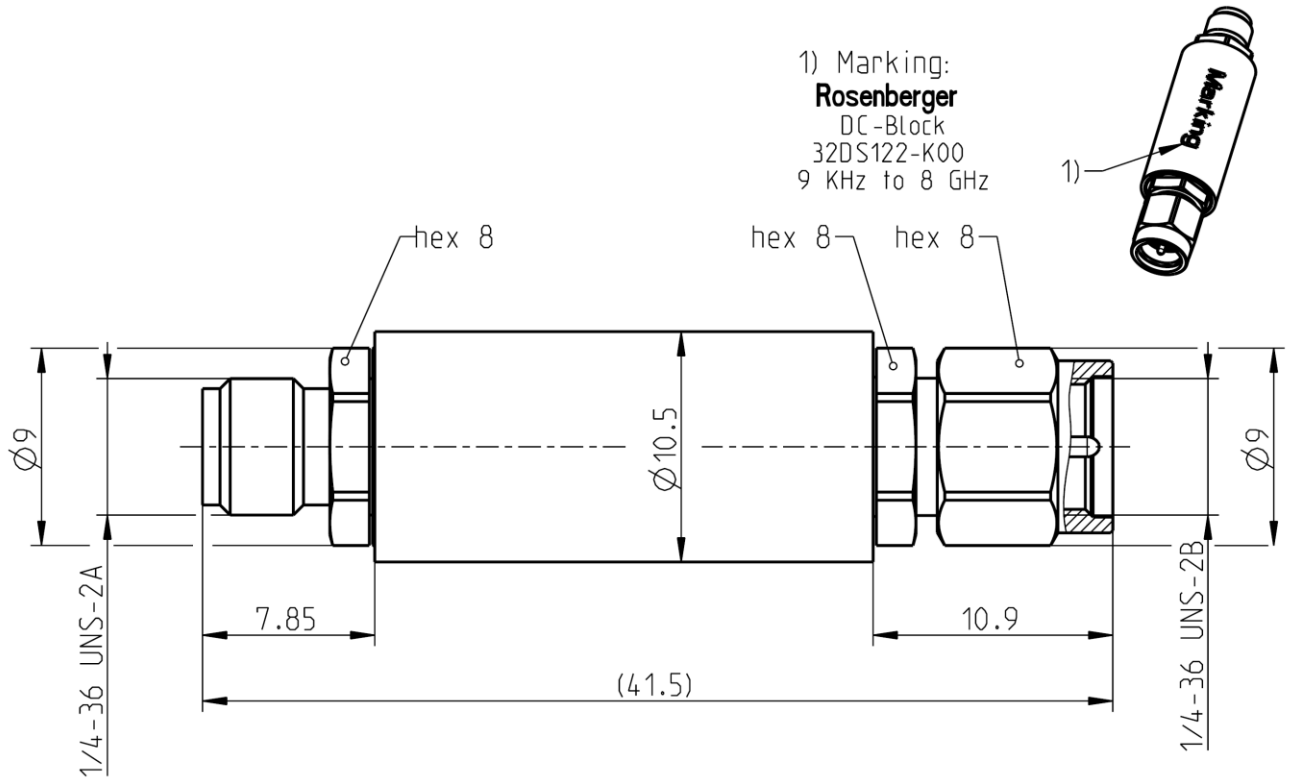


SMA

DC-Block
plug - jack

32DS122-K00L5



All dimensions are in mm; tolerances according to ISO 2768 m-H

Interface

according to

IEC 60169-15, EN 122110, MIL-STD-348A, Fig. 310

Documents

N/A

Material and Plating

Connector parts

Center contact
Outer contact
Dielectric
Coupling nut
Gasket

Material

CuBe
Brass
PTFE
Stainless steel
Silicone

Plating

AuroDur®, gold plated
AuroDur®, gold plated
Passivated

SMA

DC-Block
plug - jack

32DS122-K00L5

Electrical Data

Impedance 50 Ω
 Frequency 9 KHz to 8 GHz
 Return loss ≥ 25 dB, 9 KHz to 1 GHz
 ≥ 18 dB, 1 GHz to 4 GHz
 ≥ 15 dB, 4 GHz to 8 GHz
 Insertion loss ≤ 1.5 dB, 9 KHz to 8 GHz
 Insulation resistance ≥ 5 GΩ
 Working voltage (at sea level) 50 Vdc max.
 Capacity 2.2 μF
 Block type Center contact only

Mechanical Data

Mating cycles ≥ 500
 Center contact captivation: axial ≥ 20 N
 radial ≥ 1 Ncm
 Coupling test torque ≤ 1.7 Nm
 Recommended torque 0.8 Nm to 1.1 Nm

Environmental Data

Temperature range -45 °C to +85 °C
 Thermal shock MIL-STD-202, Method 107, Condition B
 Corrosion resistance MIL-STD-202, Method 101, Condition B
 Vibration MIL-STD-202, Method 204, Condition D
 Shock MIL-STD-202, Method 213, Condition I
 Moisture resistance MIL-STD-202, Method 106
 RoHS compliant

Tooling

N/A

Suitable Cables

N/A

Weight

16.6 g/pce

While the information has been carefully compiled to the best of our knowledge, nothing is intended as representation or warranty on our part and no statement herein shall be construed as recommendation to infringe existing patents. In the effort to improve our products, we reserve the right to make changes judged to be necessary.

For the installation of the electrotechnical equipment, particular electrotechnical expertise is required.



Draft	Date	Approved	Date	Rev.	Engineering change number	Name	Date
Martin Moder	15.10.2010	M. Moder	16.02.23	e00	23-0276	T. Börgerding	16.02.23

Rosenberger Hochfrequenztechnik GmbH & Co. KG P.O.Box 1260 D-84526 Tittmoning Germany www.rosenberger.com				Tel. : +49 8684 18-0 Email : info@rosenberger.com		Page 2 / 2	
--	--	--	--	--	--	---------------	--