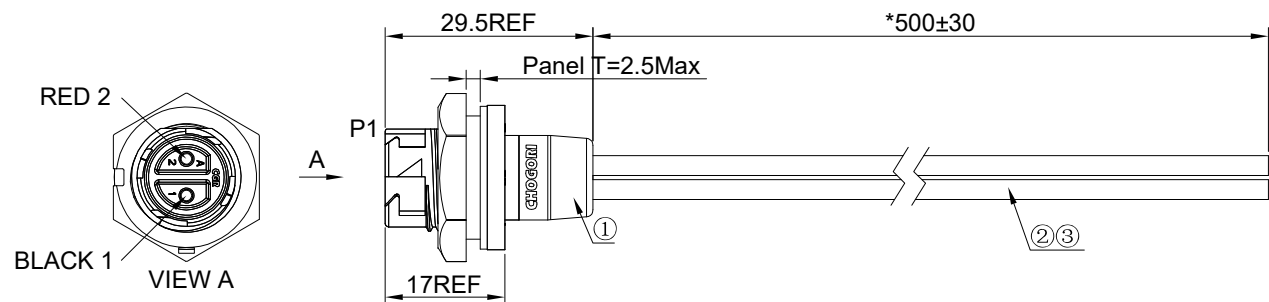
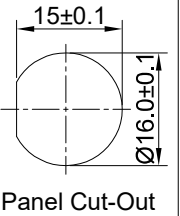


THIS INFORMATION IS CONFIDENTIAL AND IS DISCLOSED TO YOU ON CONDITION THAT NO FURTHER DISCLOSURE IS MADE BY YOU TO OTHER THAN CHOGORI PERSONNEL WITHOUT AUTHORIZATION FROM CHOGORI CORP.

1		2		3		4		5		6		7		8	
CUSTOMER No. :		REV. :		CATEGORY		IN LINE WITH THE TYPE		PAGE	REV. :	ECN&ECR No.	DESCRIPTION		DSN	DATE	
				NEW ENERGY VEHICLE PRODUCTS		YES NO			C1	NA	Initial Drawing		XU	2022.07.18	
				INDUSTRIAL PRODUCTS		√									
				RoHS		√									
				REACH		√									
				Halogen-Free		√									
				CALIFORNIA 65		√									



P/N: 22002635-01-001

SPECIFICATIONS:

- 1.INSULATION RESISTANCE : 10MΩ@500VDC/0.01S.
- 2.VOLTAGE RATING : 600V.
- 3.CURRENT RATING : 10A.
- 4.OPERATION TEMPERATURE : -10℃~+105℃.
- 5.WATERPROOF IPX7(MATED).
- 6.RoHS COMPLIANT.

3	900-00101-00087	A/C	M	UL1015 18AWG PVC 105℃ 600V RED OD2.8
2	900-00101-00032	A/C	M	UL1015 18AWG PVC 105℃ 600V BLACK OD2.8
1	22002635-01-001	1	PC	STANDARD SERIES 2PIN PANEL MOUNT WITH FEMALE PIN(4 LOCKS,MOLDING,-501)
ITEM	PART NO	QTY	UNIT	DESCRIPTION

MATERIAL OF BILL

PART No.:	11C03622051305	DRAWN BY:	XU	TECHNICS:	
MATERIAL:		PROOFREADED BY:	Kevin 2022.08.05 15:19:35 +08'00'	QUALITY:	
MOLD No.:		CHECKED BY:		APPROVED BY:	2022.08.05 15:19:35 +08'00'
		STANDARDISATION:			

UNIT: mm		DESCRIPTION: STANDARD SERIES 2PIN PANEL MOUNT WITH FEMALE PIN(4 LOCKS,MOLDING,-501) L=500MM	
未注线性和角度尺寸公差 UNSPECIFIED TOLERANCE	SCALE: 1:1	SHEET: 1 OF 1	
GB/T 1804-M	REV.: C1	SIZE: A4	ASME Y14.5-2009

CHOGORI[®]
深圳乔合里科技股份有限公司

A B C D E F