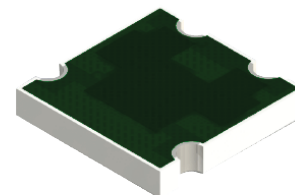


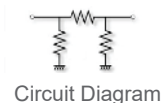
ATC2525CT-3000JN-94 Features:

- PI Configuration
- RoHS Compliant
- Solderable Terminals
- Customer Defined Testing Available
- Symmetrical Design
- Tape & Reel or Waffle Pack Available (Standard is bulk)



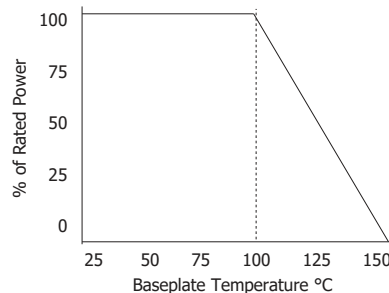
ATC2525CT-3000JN-94 Parameters:

Nominal Attenuation:	30dB
Operating Frequency*:	DC - 2.5GHz
Attenuation Tolerance*:	28.5dB Min., 30.5dB Max. (DC - 0.5GHz) 26dB Min., 30.5dB Max. (>0.5 - 1.25GHz)
Input Power**:	2.5W
VSWR Max.*:	1.2 (DC - 1GHz) 1.4 (>1 - 1.5GHz) 1.6 (>1.5 - 2GHz) 1.85 (>2 - 2.5GHz)
Impedance:	50Ω (47.5Ω Min., 52.5Ω Max.)
Construction:	Thick Film on Alumina
Operating Temperature:	-55 to +150°C
56°C/Watt mounting pad to film thermal resistance with 250°C max. film temperature	

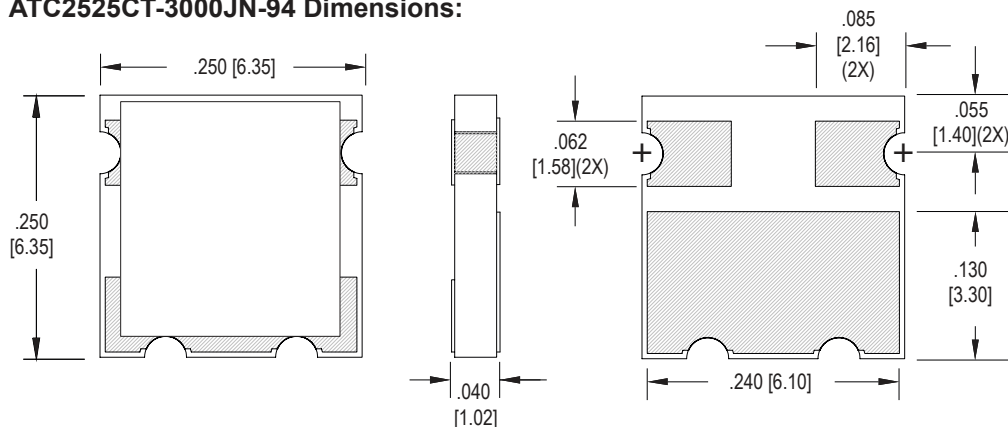


Can be mounted in either direction
 * Applies to 12 mil (0.3048 mm) Rogers 4003(Er=3.55). See next page for other circuit boards.
 ** Rating based on ≤100°C constant mounthing pad temperature

ATC2525CT-3000JN-94 Power Derating Curve



ATC2525CT-3000JN-94 Dimensions:



Dimensions in inches [mm]
 Tolerance is ± 0.005 [0.13]
 unless otherwise stated

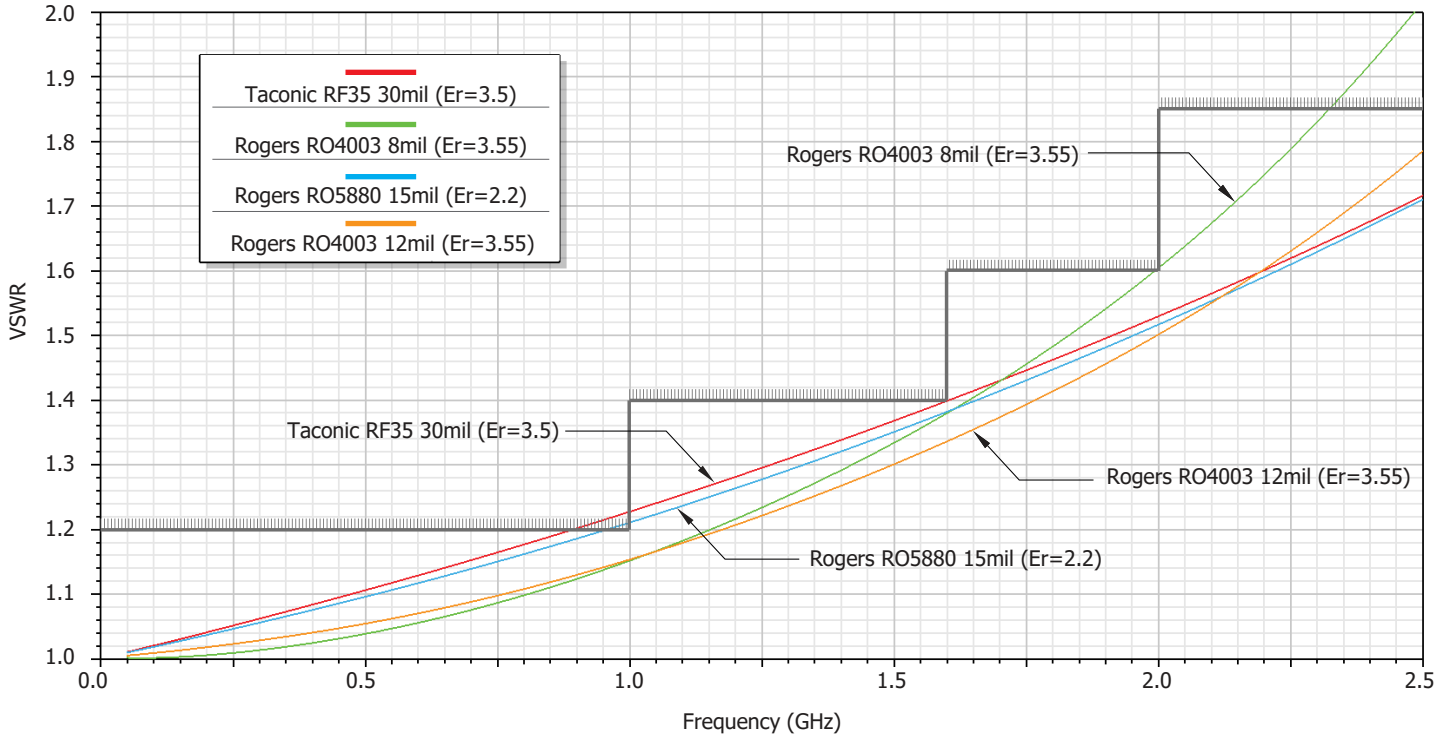
Ordering Information:

ATC	2525	CT	-	3000	JN	-	94	UU
Prefix for 3 Sided Wraparound Attenuator w/ Castellations	Size 2525			Value Code 3000 - 30dB	Normal Inspection Contact factory for additional options		Substrate 94 - 0.040" Alumina	Packaging Blank - Bulk TR - Tape and Reel WP - Waffle Pack

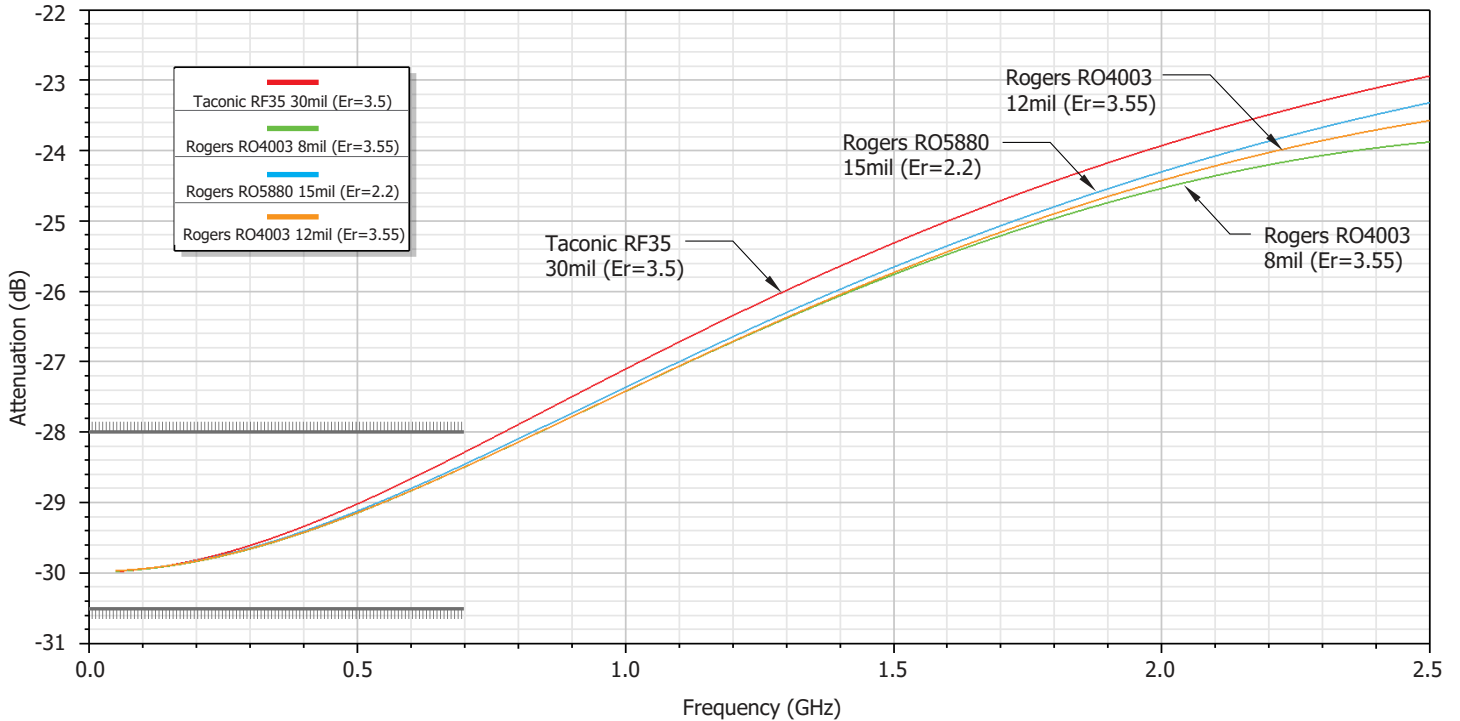
Terminal Metallization	RoHS	Magnetic	Solder	Epoxy	Wirebond
CT - 100% Matte Tin over Nickel over Silver	Yes	Yes	Yes	No	No

Barry Industries reserves the right to change part number and/or process without notification.

ATC2525CT-3000JN-94 VSWR:



ATC2525CT-3000JN-94 Attenuation Accuracy:



Barry Industries reserves the right to change part number and/or process without notification.

ATC2525CT-3000JN-94 Reliability Specifications:

Parameter:	Test Condition:	Results:
Short Time Overload	Apply 1.1x Rated Power for 5 Seconds.	≤ 5.0% Resistance Shift
Rated Load Life	Apply 1/2 Power Under 40°C ±2°C 90 Minutes on/ 30 Minutes off. Repeat for 100 hours	≤ 5.0% Resistance Shift
Moisture Resistance	MIL-PRF-55342 para 4.8.9 95% RH, 25°C - 65°C	≤ 5.0% Resistance Shift
Resistance to Soldering Heat	MIL-STD-202 Method 210 and MIL-PRF-55342 Para 4.8.8.1	≤ 5.0% Resistance Shift
Solderability	MIL-PRF-55342 Para 4.8.12	>95% Covered
High Temperature Storage	125°C ±2°C for 500 Hours	1.) ≤ 5.0% Resistance Shift 2.) No Significant Abnormality (Visual)
Thermal Shock	-65°C to +150°C 30 Minutes Dwell, 5 Cycles	1.) ≤ 5.0% Resistance Shift 2.) No Significant Abnormality (Visual)

Barry Industries reserves the right to change part number and/or process without notification.