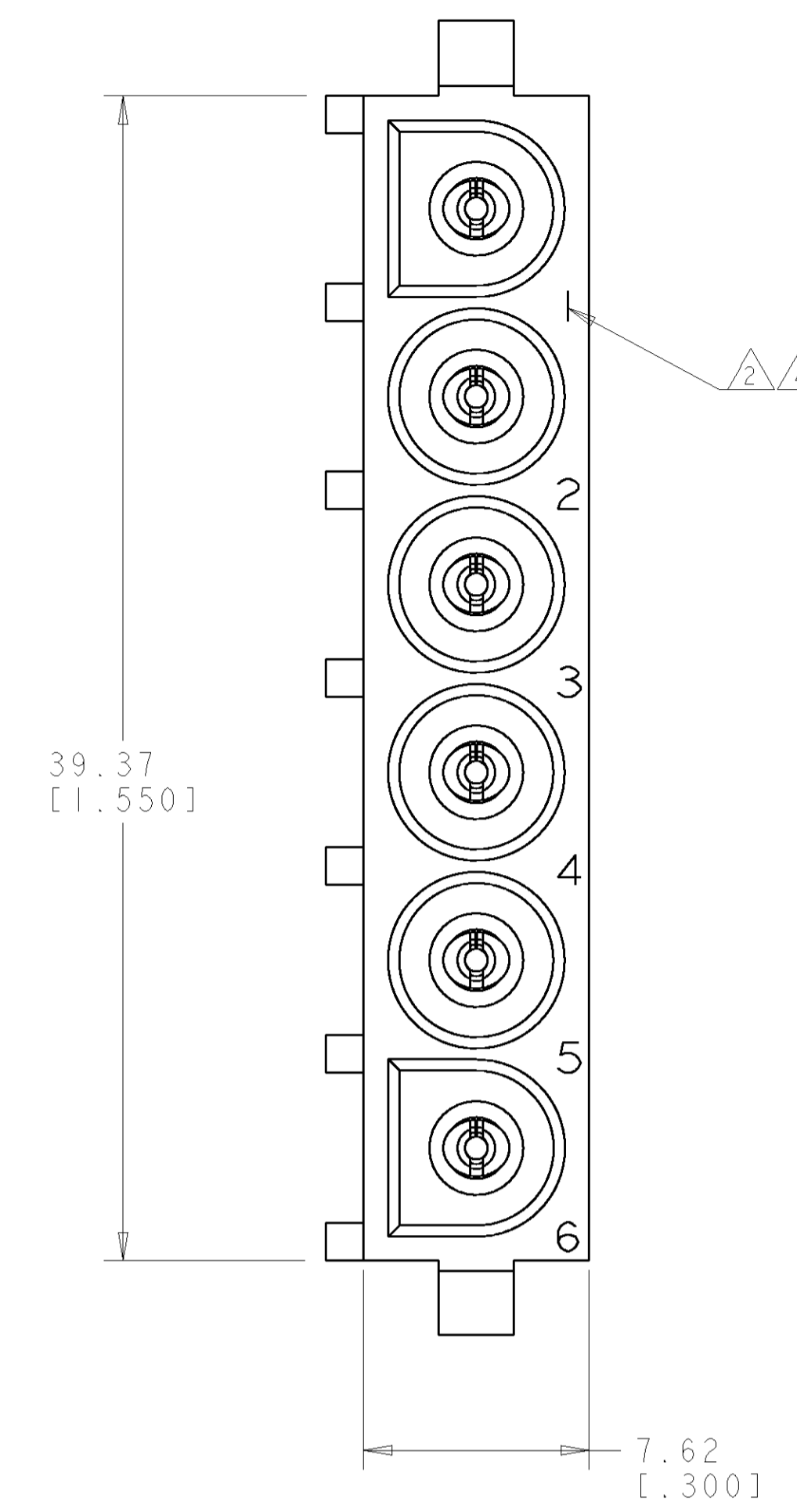
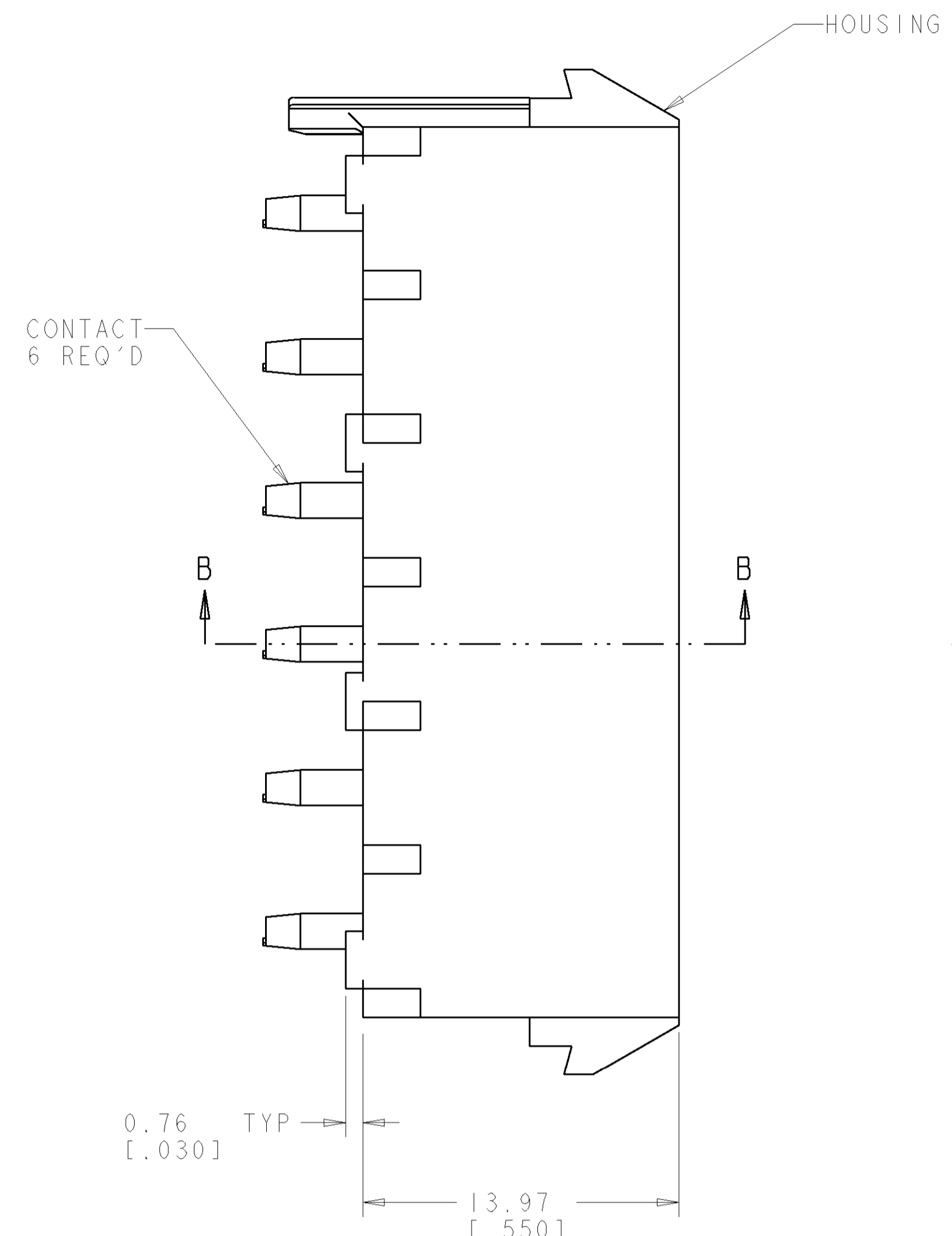
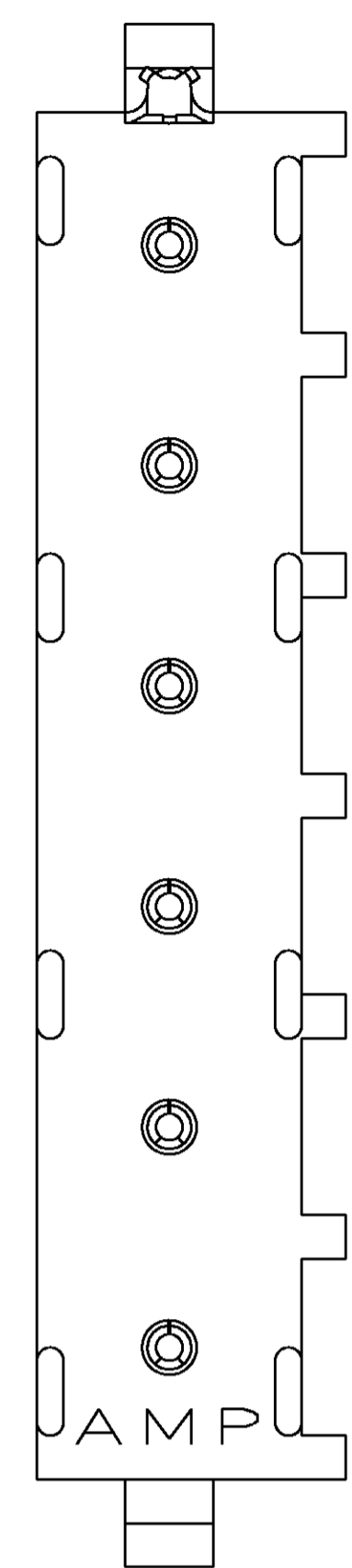
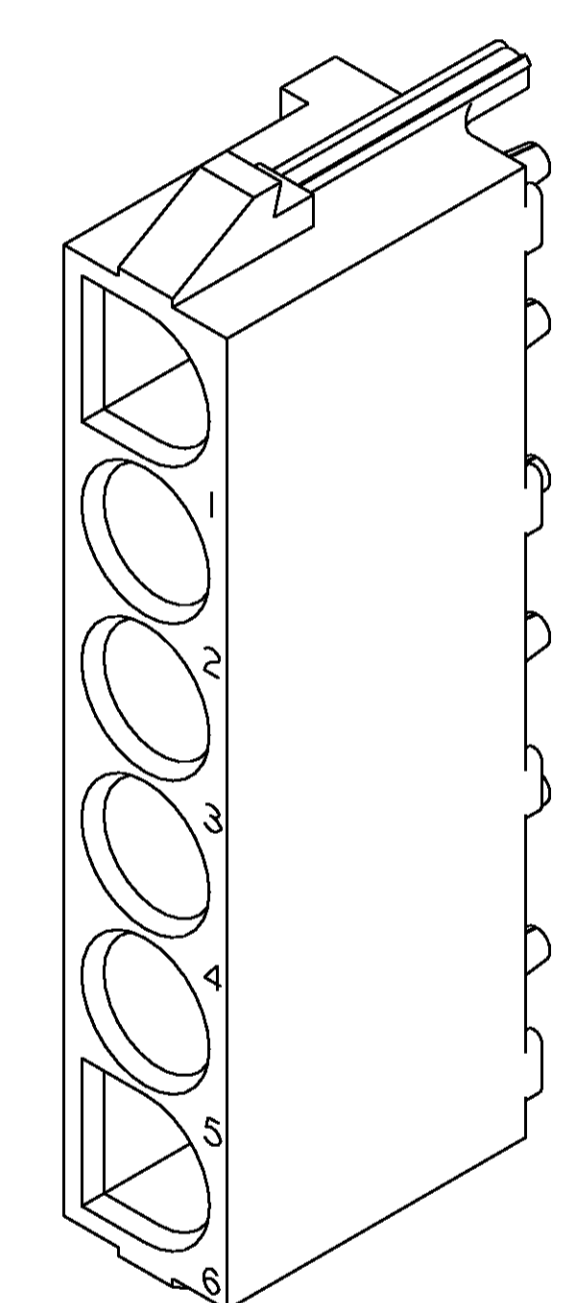


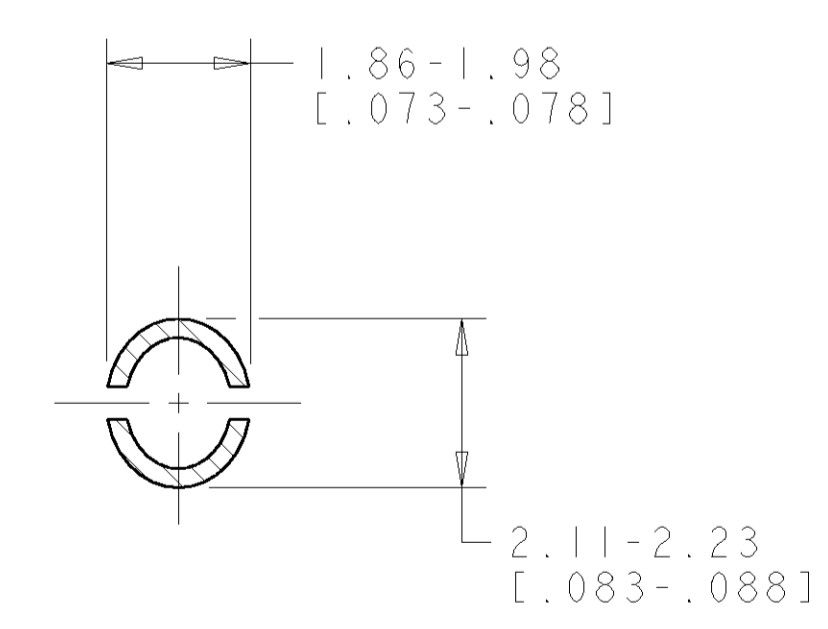
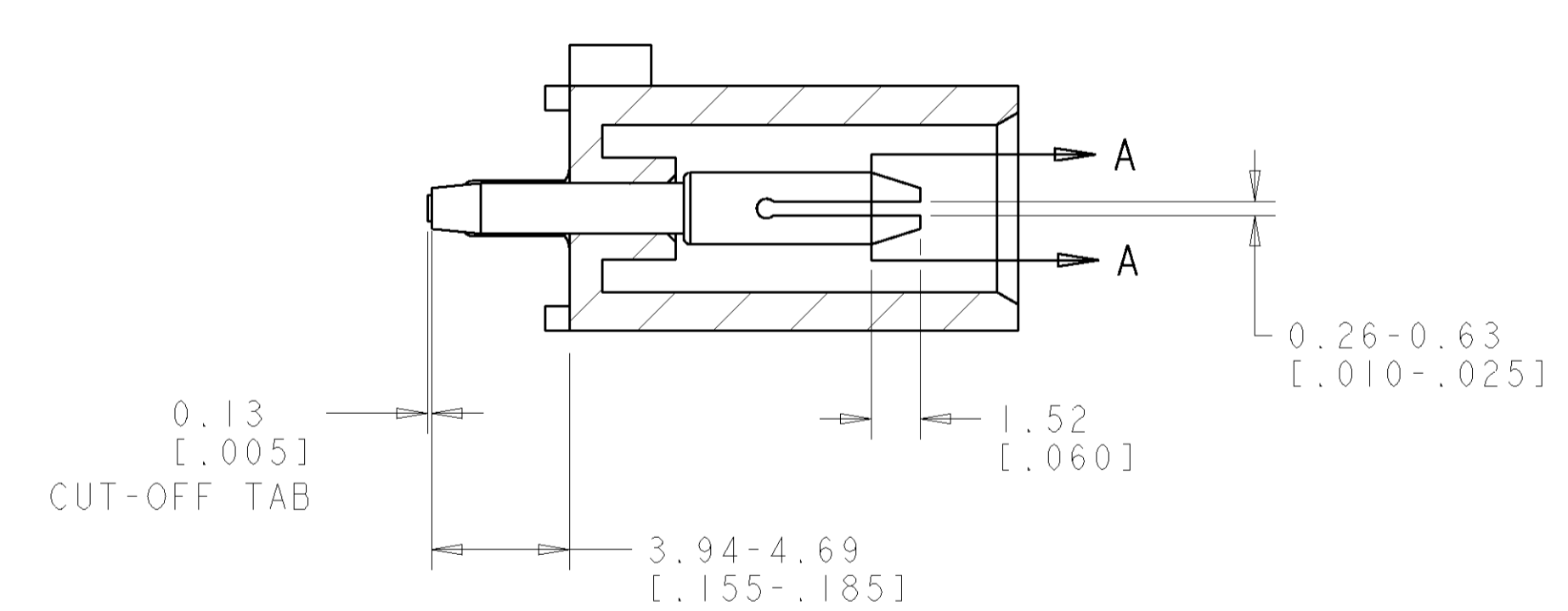
LOC		DIST		REVISIONS			
CM	00	P	LTR	DESCRIPTION	DATE	DWN	APVD
		0		REVISED PER 0638-0087-04	29MAR04	KW	SR



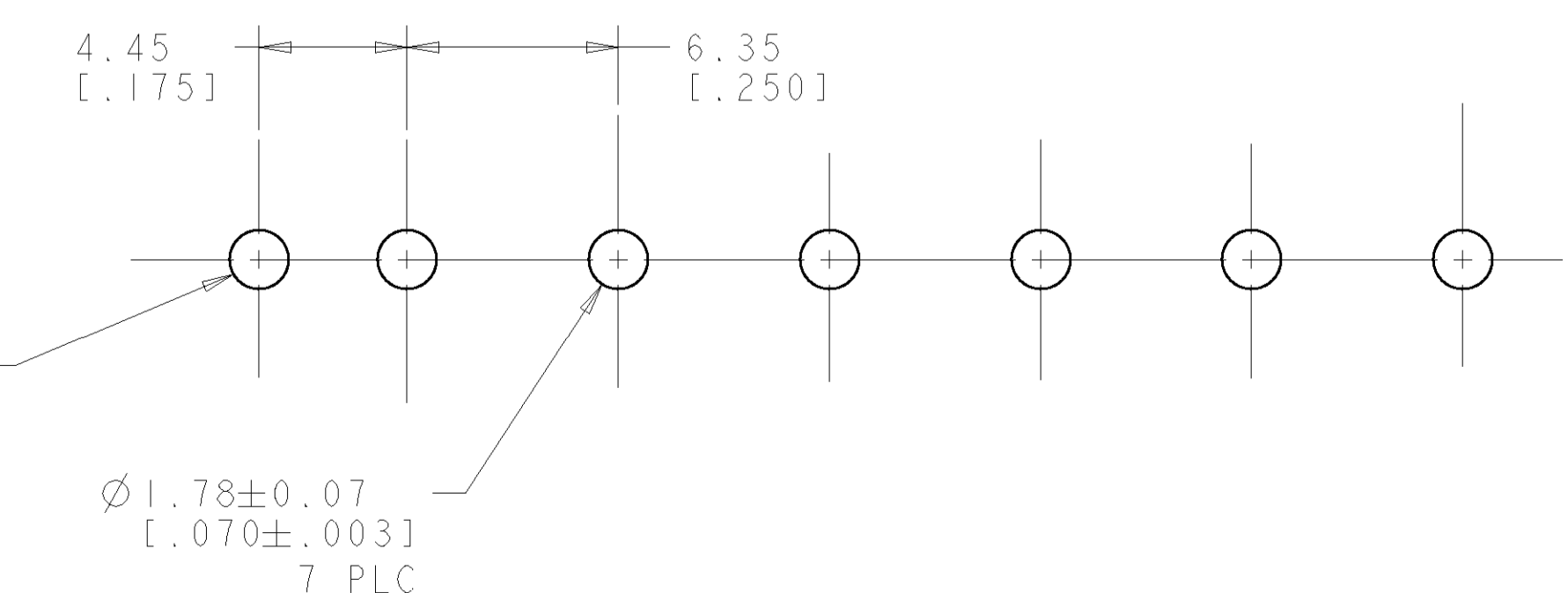
- PARTS COMPLY TO AMP SOLDERABILITY SPECIFICATION 109-11-3.
- CIRCUIT IDENTIFICATION CHARACTERS ARE ADJACENT TO THE INDICATED CAVITIES, BUT LOCATION AND ORIENTATION MAY DIFFER FROM PRINT.
- DIMENSIONS IN BRACKETS ARE IN INCHES.
- IDENTIFICATION WILL APPEAR AT CIRCUIT NO. 1, OTHERS OPTIONAL.



SCALE 4:1



SECTION A-A
SCALE 10:1



RECOMMENDED MOUNTING HOLE PATTERN FOR 1.57 [0.062] THICK P.C. BOARD

PHOSPOR BRONZE, PRE-TIN PIN CONTACT MATERIAL AND FINISH		NYLON, UL94V-0, WHITE HOUSING MATERIAL AND COLOR		1586173-1 PART NUMBER	
DWN: R. WHITAKER CHK: S. RIDGILL APVD: S. RIDGILL		30MAR04 30MAR04 30MAR04		Tyco Electronics Harrisburg, PA 17105-3608	
DIMENSIONS: mm [INCHES]		TOLERANCES UNLESS OTHERWISE SPECIFIED:		NAME: PIN HEADER ASSEMBLY, POLARIZED, 6 CIRCUIT INLINE, NO DRAIN HOLES, UNIVERSAL MATE-N-LOK™	
MATERIAL: SEE TABLE		FINISH: SEE TABLE		SIZE: CAGE CODE: DRAWING NO: A1 00779 ©=1586173	
				RESTRICTED TO: CUSTOMER DRAWING	

