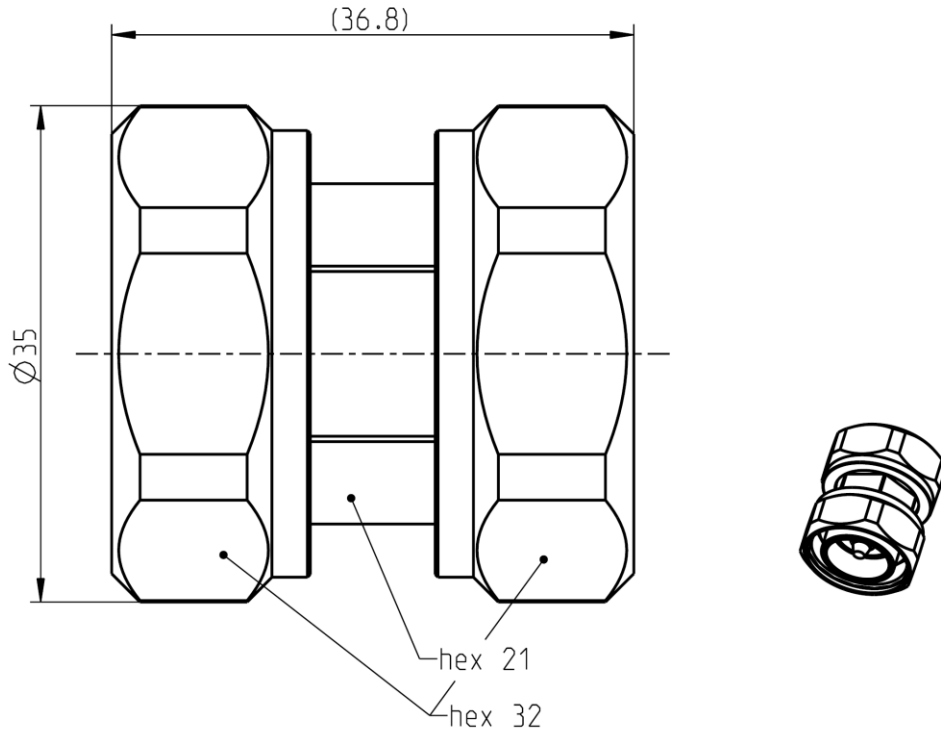


7-16

Adaptor
Plug – Plug

60S101-SIMN1



All dimensions are in mm; tolerances according to ISO 2768 m-H

Interface

According to IEC 61169-4, EN 122190, DIN 47223

Documents

N/A

Material and plating

Connector parts

Center contact	Brass
Outer contact	Brass
Dielectric	PTFE
Gasket	Silicone

Plating

Silver, 3-6 µm
Flash white bronze over silver(e.g. Optargen®)

Dieses Dokument ist urheberrechtlich geschützt • This document is protected by copyright • Rosenberger Hochfrequenztechnik GmbH & Co. KG

RFB00035/12.20/6.4

7-16

Adaptor
Plug – Plug

60S101-SIMN1

Electrical data

Impedance 50 Ω
 Frequency DC to 7.5 GHz
 Return loss ≥ 40 dB @ DC to 3 GHz
 ≥ 35 dB @ 3 GHz to 4.5 GHz
 ≥ 30 dB @ 4.5 GHz to 7.5 GHz
 ≥ 25 dB @ 7.5 GHz to 8.3 GHz
 Insertion loss ≤ 0.5 x √f [GHz] dB
 Insulation resistance ≥ 10 GΩ
 Center contact resistance ≤ 0.4 mΩ
 Outer contact resistance ≤ 1.5 mΩ
 Working voltage (at sea level) 500 V rms
 Power handling (at 20 °C, sea level, VSWR 1.0) 1800 W @ 1 GHz
 800 W @ 4 GHz
 RF-leakage ≥ 128 dB @ DC to 1 GHz
 Intermodulation (3rd order) ≤ -128 dBm @ 2 x 20 W

Mechanical data

Mating cycles ≥ 500
 Coupling nut retention ≥ 1000 N
 Center contact captivation: axial ≥ 200 N
 radial ≥ 2 Ncm
 Coupling torque (recommended) 25 to 30 Nm
 Proof torque ≤ 35 Nm

Environmental data

Temperature range -55 °C to +155 °C
 Rapid change of temperature DIN EN 122190, Sub-clause 4.6.7
 Corrosion resistance DIN EN 122190, Sub-clause 4.6.10
 Vibration DIN EN 122190, Sub-clause 4.6.3
 Climatic category DIN EN 122190, Sub-clause 4.6.5 (55/155/56)
 Damp heat DIN EN 122190, Sub-clause 4.6.6
 Degree of protection (mated pair) IEC 60529, IP68 2.5 bar 1h
 RoHS compliant

Tooling

N/A

Suitable cables

N/A

Weight

Weight 125 g/pce

While the information has been carefully compiled to the best of our knowledge, nothing is intended as representation or warranty on our part and no statement herein shall be construed as recommendation to infringe existing patents. In the effort to improve our products, we reserve the right to make changes judged to be necessary.

For the installation of the electrotechnical equipment, particular electrotechnical expertise is required.



Draft	Date	Approved	Date	Rev.	Engineering change number	Name	Date
Benjamin Kaindl	12.03.12	Chr. Janßen	02.03.21	c00	20-1927	S. Huber-Siegl	02.03.21

Rosenberger Hochfrequenztechnik GmbH & Co. KG
 P.O.Box 1260 D-84526 Tittmoning Germany
www.rosenberger.com

Tel. : +49 8684 18-0
 Email : info@rosenberger.com

Page
2 / 2