



ANATECH ELECTRONICS INC
RF & Microwave Filters & Products

420 MHz Cavity Band Pass Filter

Part Number: AE420B11630



Electrical Specifications

Center Frequency: 420 MHz
Bandwidth: 20 MHz
Passband: 410-430 MHz
Insertion Loss: 1.0 dB Max.
Return Loss : 15 dB Min.
Rejection1: $\geq 60\text{dB}$ @ 450-465 MHz
Impedance: 50 Ohms In/Out
Power Handling: 20W

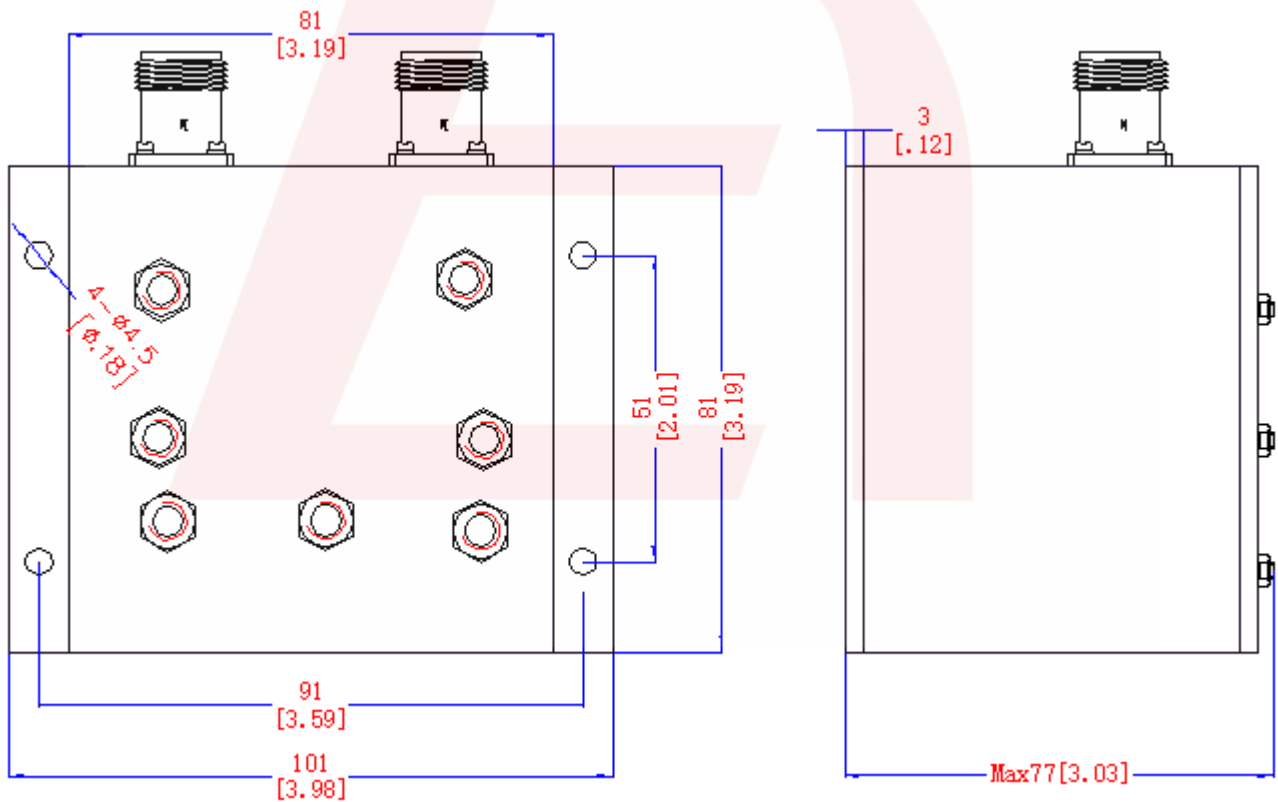
Mechanical

Mounting Method: Through Holes with Bracket
Connector Type: N-type(F)
Dimensions: 3.98" x 3.19" x 3.03"

Environmental

Operating Temperature: -25°C to $+70^{\circ}\text{C}$
Storage Temperature: -75°C to $+90^{\circ}\text{C}$
Shock: 20 G. 11ms
Vibration: 20 G. 5 to 200Hz

Outline Drawing:



2 decimal places: ± 0.01 inches [$\pm 0.3\text{mm}$]
3 decimal places: ± 0.005 inches [$\pm 0.13\text{mm}$]
Angles: ± 1 Deg.

When max dimensions are called out the above tolerances do not apply as long as it is under the max call out.

DS-B11630-05162019-Rev0

70 Outwater Lane Phone: (973) 772-4242
Garfield, NJ 07026 Fax : (973) 321-3941

Email: sales@anatechelectronics.com
Web: www.anatechelectronics.com