

MATERIALS AND FINISHES:

BODY, JAM NUT: BRASS
FINISH: SEE TABLE

CENTER CONTACT: BERYLLIUM COPPER
PLATED GOLD

INSULATOR: TEFLON

LOCK WASHER: PHOSPHOR BRONZE
FINISH: SEE TABLE

PACKAGING: SEE TABLE

ELECTRICAL REQUIREMENTS:

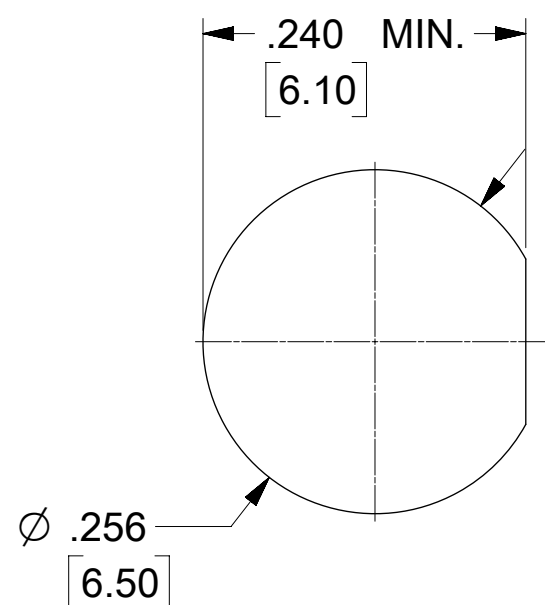
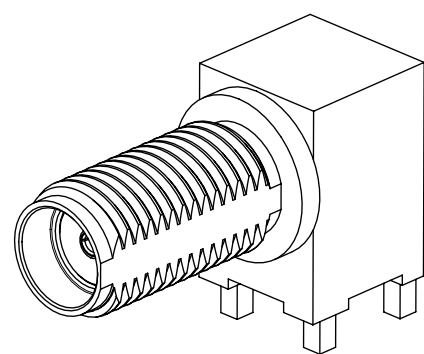
1. VOLTAGE STANDING WAVE RATIO

- 1.1(MAX) @0-6GHz.
- 1.5(MAX) @6-12GHz.
- 1.8(MAX) @12-18GHz.

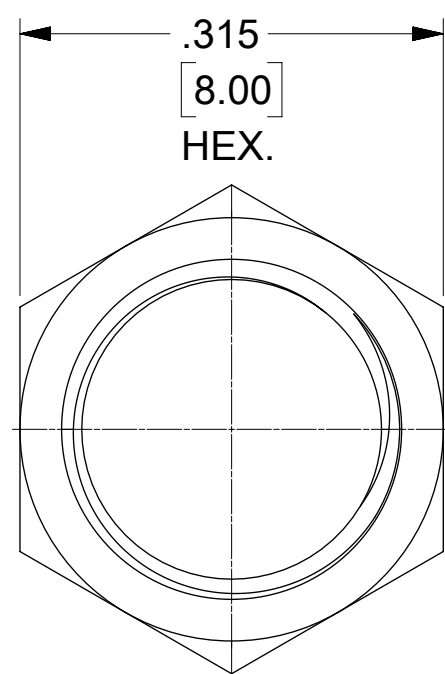
2. RF INSERTION LOSS:

- 0.1(MAX) @0-6GHz.
- 0.4(MAX) @6-12GHz.
- 0.7(MAX) @12-18GHz.

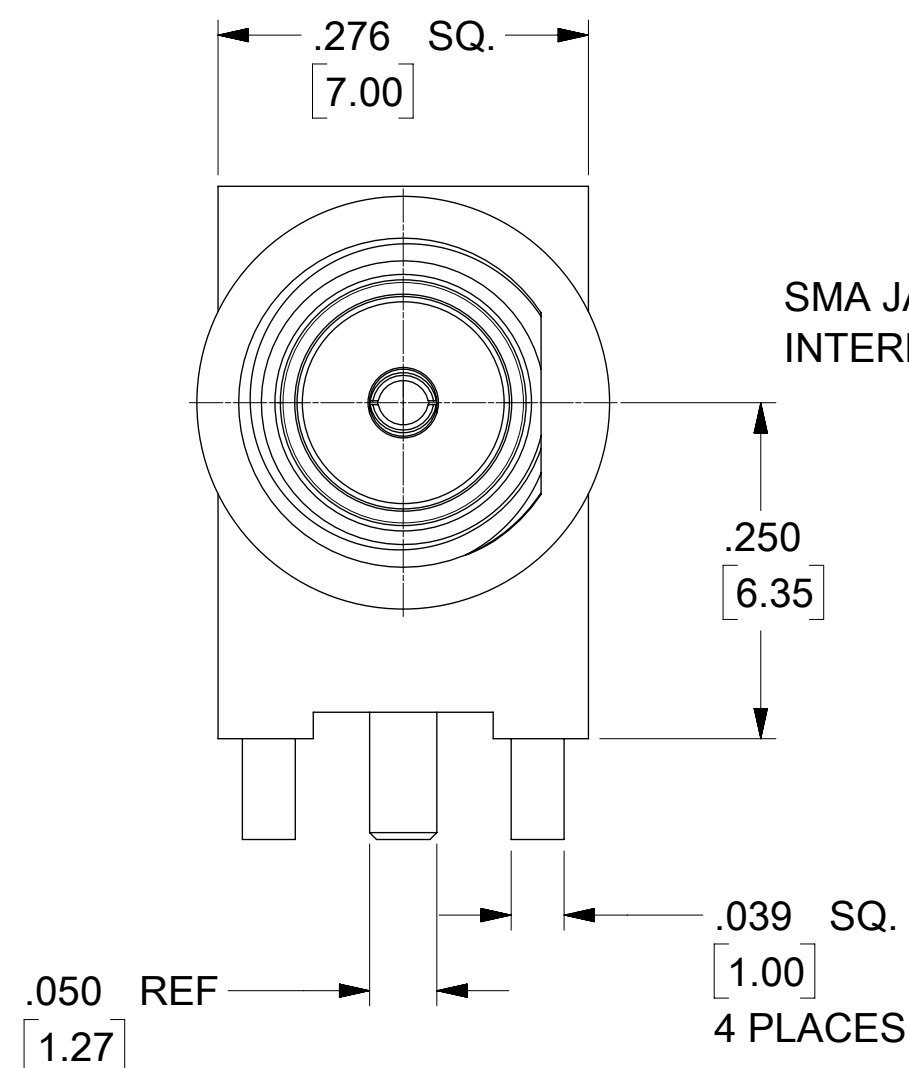
73251-4966	BAG
73251-4965	TRAY
73251-4964	
73251-4963	
73251-4962	
73251-4961	
73251-4960	
PART NO.	PACKAGING



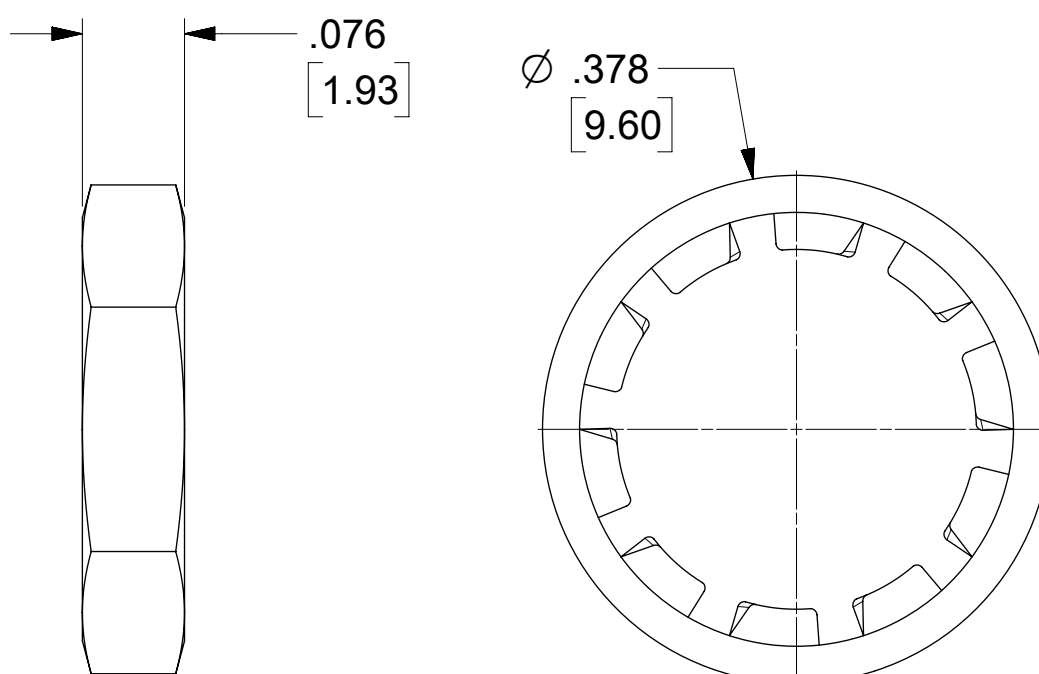
PANEL CUTOUT
.135 / 3.42 MAX THICKNESS



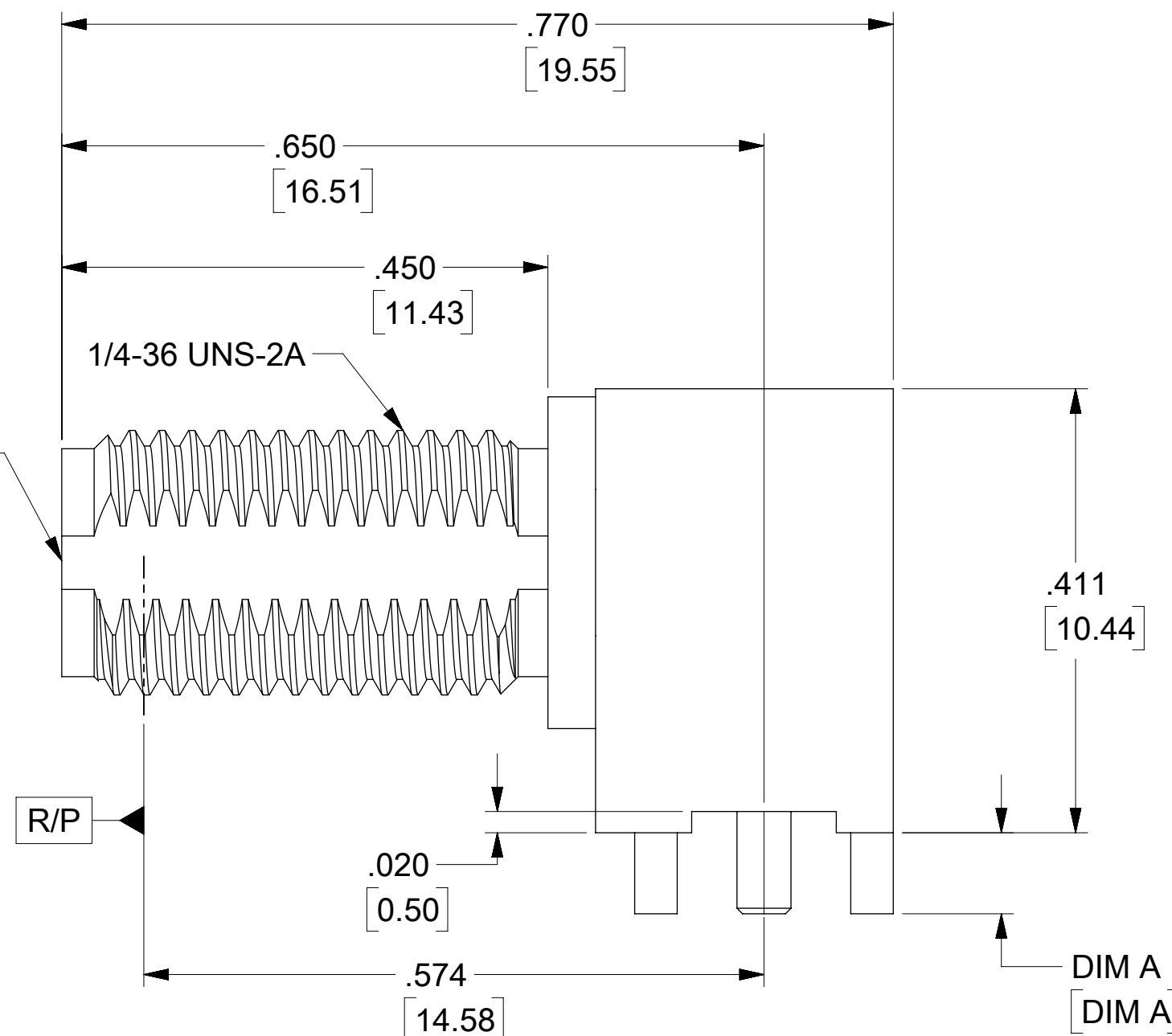
HEX.



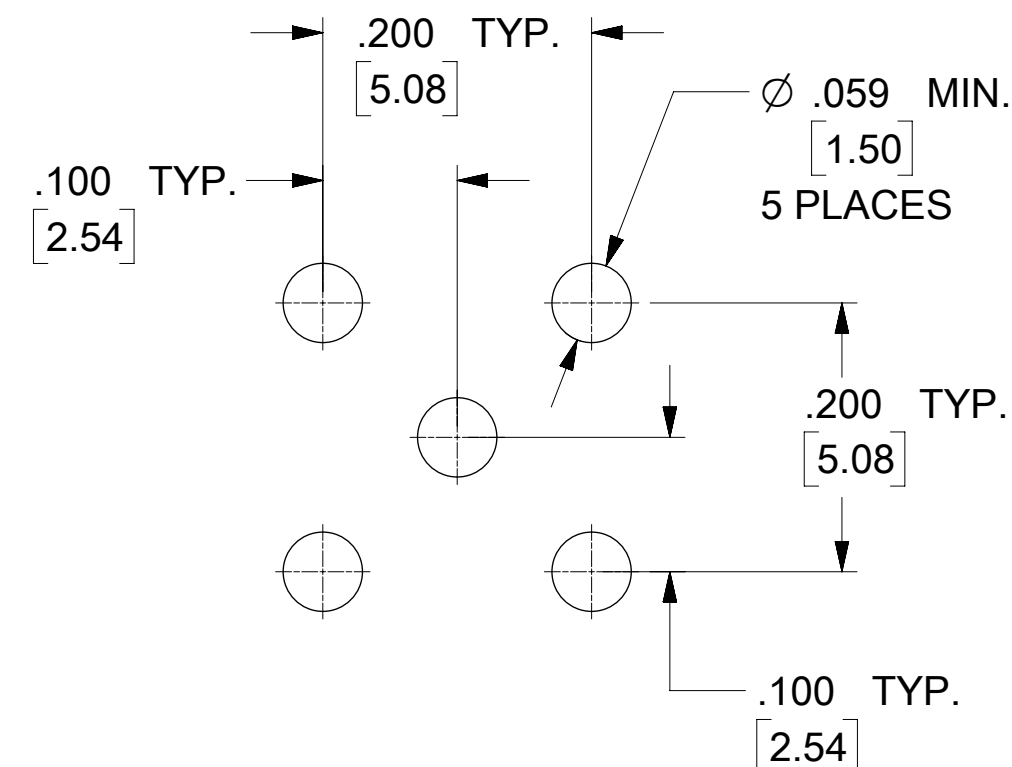
JAM NUT



LOCK WASHER



RECOMMENDED PCB LAYOUT



SD-73251-496 IS CONTINUATION FOR SD-73251-220

73251-4966	1	1	.110 / 2.79	NICKEL (100μ-in MIN)	GOLD (30μ-in MIN) OVER NICKEL(100μ-in MIN)	NICKEL (100μ-in MIN)
73251-4965	2	1	.110 / 2.79	GOLD (5μ-in MIN) OVER NICKEL (50μ-in MIN)	GOLD (30μ-in MIN) OVER NICKEL(100μ-in MIN)	GOLD (1μ-in MIN) OVER NICKEL (50μ-in MIN)
73251-4964	1	1	.075 / 1.91	GOLD (5μ-in MIN) OVER NICKEL (50μ-in MIN)	GOLD (30μ-in MIN) OVER NICKEL(100μ-in MIN)	GOLD (1μ-in MIN) OVER NICKEL (50μ-in MIN)
73251-4963	NOT INCLUDED	NOT INCLUDED	.110 / 2.79	GOLD (5μ-in MIN) OVER NICKEL (50μ-in MIN)	GOLD (30μ-in MIN) OVER NICKEL(100μ-in MIN)	-----
73251-4962	1	NOT INCLUDED	.110 / 2.79	NICKEL (100μ-in MIN)	GOLD (30μ-in MIN) OVER NICKEL(100μ-in MIN)	NICKEL (100μ-in MIN)
73251-4961	2	1	.155 / 3.94	GOLD (1μ-in MIN) OVER NICKEL (50μ-in MIN)	GOLD (1μ-in MIN) OVER NICKEL (50μ-in MIN)	GOLD (1μ-in MIN) OVER NICKEL (50μ-in MIN)
73251-4960	1	1	.075 / 1.91	GOLD (1μ-in MIN) OVER NICKEL (50μ-in MIN)	GOLD (1μ-in MIN) OVER NICKEL (50μ-in MIN)	GOLD (1μ-in MIN) OVER NICKEL (50μ-in MIN)
PART NO.	JAM NUT QTY	WASHER QTY	IN / MM	BODY	CONTACT	JAM NUT & LOCK WASHER
	INCLUDED	INCLUDED	DIM A	PLATING	PLATING	PLATING

PS-89675-3460	PRODUCT SPECIFICATION
MIL-STD-348A, FIG. 310.2	INTERFACE
SPECIFICATION	DESCRIPTION

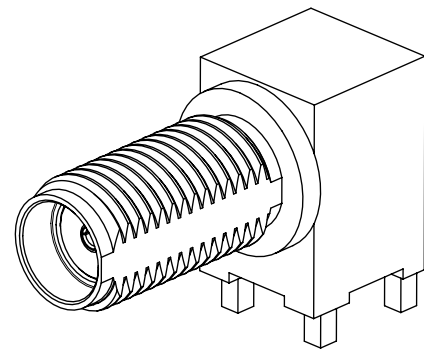
FUNCTIONAL SYMBOLS	THIS DRAWING CONTAINS INFORMATION THAT IS PROPRIETARY TO MOLEX ELECTRONIC TECHNOLOGIES, LLC AND SHOULD NOT BE USED WITHOUT WRITTEN PERMISSION	
INCH/MM	SCALE	CURRENT REV DESC:
0	NTS	EWR-14242-J ADDED LABEL FORMAT FOR 73251-4966
GENERAL TOLERANCES (UNLESS SPECIFIED)		EC NO: 659677
ANGULAR TOL ± °		DRWN: JSU18 2021/03/24
4 PLACES ±		CHK'D: YCHENG 2021/04/06
3 PLACES ±		APPR: YCHENG 2021/04/06
2 PLACES ±		INITIAL REVISION:
1 PLACE ±		DRWN: JLEE02 2014/03/28
0 PLACES ±		APPR: WSPINK 2014/03/28
DRAFT WHERE APPLICABLE MUST REMAIN WITHIN DIMENSIONS	THIRD ANGLE PROJECTION	DRAWING SERIES
		C-SIZE 73251
DOCUMENT STATUS	P1	RELEASE DATE
2021/04/06	01:47:34	
DOCUMENT NUMBER	CUSTOMER	SHEET NUMBER
SD-73251-496	GENERAL MARKET	1 OF 4



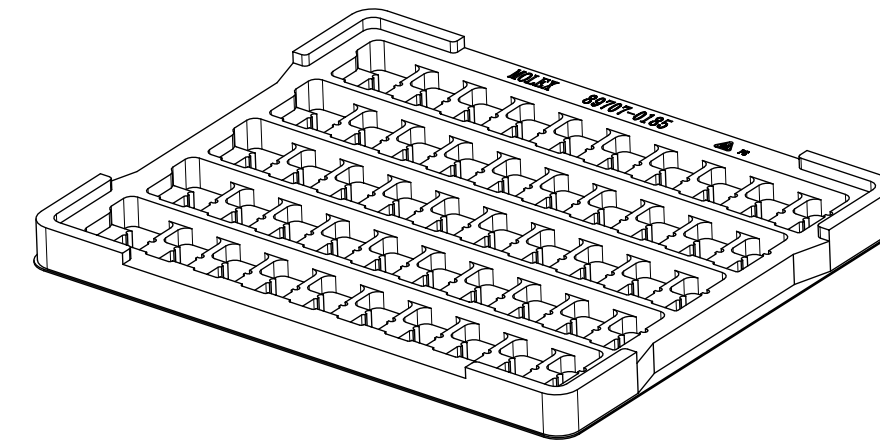
SMA JACK RA
BLKHD RM PCB TH SMA-J/RA/PCB, EWR-2144

PRODUCT CUSTOMER DRAWING

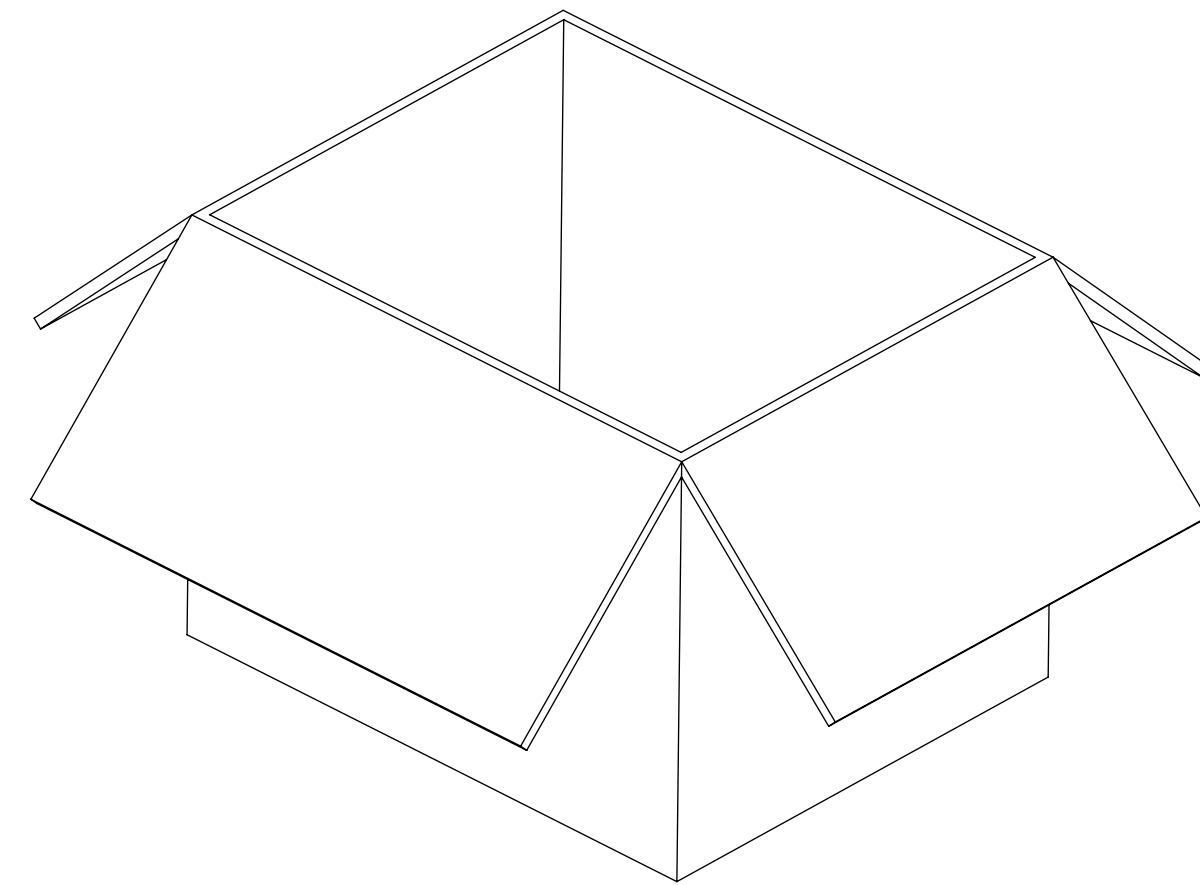
DOCUMENT NUMBER: SD-73251-496
DOC TYPE: PSD
DOC PART: 000
REVISION: B9




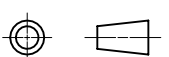
PART NO : 73251-4960
 PART NO: 73251-4962
 PART NO: 73251-4963
 PART NO: 73251-4964
 PART NO: 73251-4965



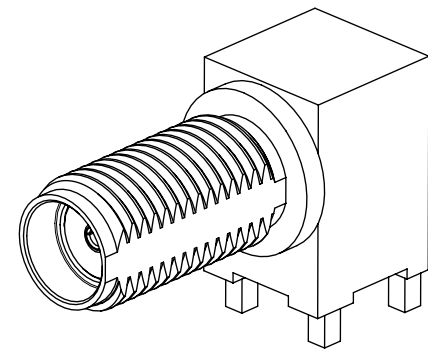
50 SET PER TRAY
 P/N: 89707-0185



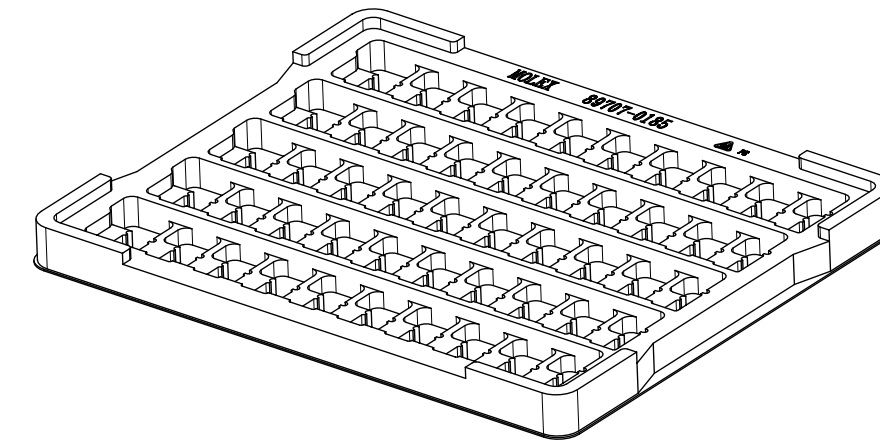
1400 SET PER OUTER CARTON BOX
 P/N: 89499-9027

FUNCTIONAL SYMBOLS	THIS DRAWING CONTAINS INFORMATION THAT IS PROPRIETARY TO MOLEX ELECTRONIC TECHNOLOGIES, LLC AND SHOULD NOT BE USED WITHOUT WRITTEN PERMISSION												
	DIMENSION UNITS	SCALE	CURRENT REV DESC:										
$\frac{F}{A} = 0$	INCH/MM	NTS	EWR-14242-J ADDED LABEL FORMAT FOR 73251-4966										
$\frac{E}{C} = 0$	GENERAL TOLERANCES (UNLESS SPECIFIED)												
	ANGULAR TOL ± °												
$\frac{E}{P} = 0$	EC NO: 659677												
	4 PLACES ±		DRWN: JSU18 2021/03/24										
DIVISIONAL SYMBOLS	3 PLACES ±		CHK'D: YCHENG 2021/04/06										
	2 PLACES ±		APPR: YCHENG 2021/04/06										
1 PLACE ±		INITIAL REVISION:											
0 PLACES ±		DRWN: JLEE02 2014/03/28		2014/03/28						DOCUMENT NUMBER	DOC TYPE	DOC PART	REVISION
DRAFT WHERE APPLICABLE MUST REMAIN WITHIN DIMENSIONS		THIRD ANGLE PROJECTION	DRAWING	SERIES	MATERIAL NUMBER		CUSTOMER		SHEET NUMBER				
			C-SIZE	73251	SD-73251-496		GENERAL MARKET		PSD	000	B9	2 OF 4	

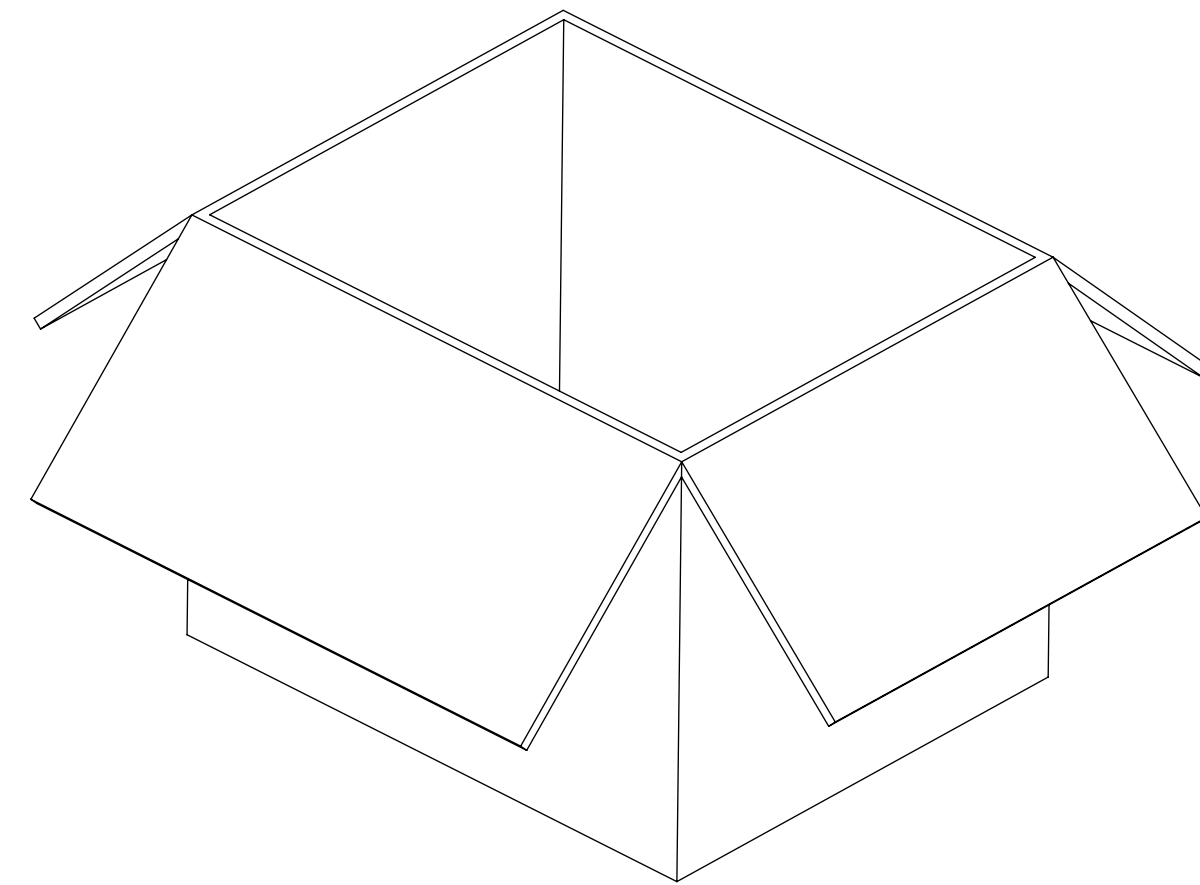
DOCUMENT STATUS	P1	RELEASE DATE	2021/04/06	01:47:34
-----------------	----	--------------	------------	----------



PART NO : 73251-4961



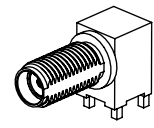
50 SET PER TRAY
P/N: 89707-0185



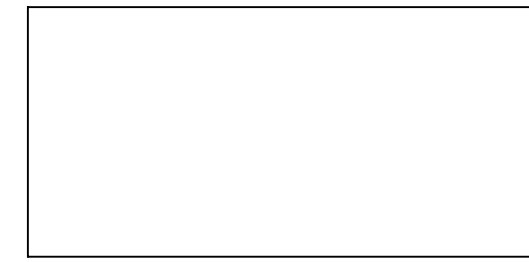
1200 SET PER OUTER CARTON BOX
P/N: 89499-9027

FUNCTIONAL SYMBOLS	THIS DRAWING CONTAINS INFORMATION THAT IS PROPRIETARY TO MOLEX ELECTRONIC TECHNOLOGIES, LLC AND SHOULD NOT BE USED WITHOUT WRITTEN PERMISSION										
	DIMENSION UNITS	SCALE	CURRENT REV DESC:							molex	
$\frac{F}{A} = 0$	INCH/MM	NTS	EWR-14242-J ADDED LABEL FORMAT FOR 73251-4966								
DIVISIONAL SYMBOLS	GENERAL TOLERANCES (UNLESS SPECIFIED)										
	$\frac{E}{C} = 0$	ANGULAR TOL ± °									
DIVISIONAL SYMBOLS	$\frac{E}{P} = 0$		EC NO: 659677							SMA JACK RA	
	4 PLACES ±		DRWN: JSU18							BLKHD RM PCB TH SMA-J/RA/PCB, EWR-2144	
	3 PLACES ±		CHK'D: YCHENG							PRODUCT CUSTOMER DRAWING	
	2 PLACES ±		APPR: YCHENG							DOCUMENT NUMBER	
1 PLACE ±		INITIAL REVISION:							DOC TYPE		
0 PLACES ±		DRWN: JLEE02							DOC PART		
DRAFT WHERE APPLICABLE MUST REMAIN WITHIN DIMENSIONS		THIRD ANGLE PROJECTION		DRAWING		SERIES		REVISION			
				C-SIZE		73251		SD-73251-496			
								PSD 000 B9			
								MATERIAL NUMBER			
								CUSTOMER			
								GENERAL MARKET			
								SHEET NUMBER			
								3 OF 4			

DOCUMENT STATUS	P1	RELEASE DATE	2021/04/06	01:47:34
-----------------	----	--------------	------------	----------



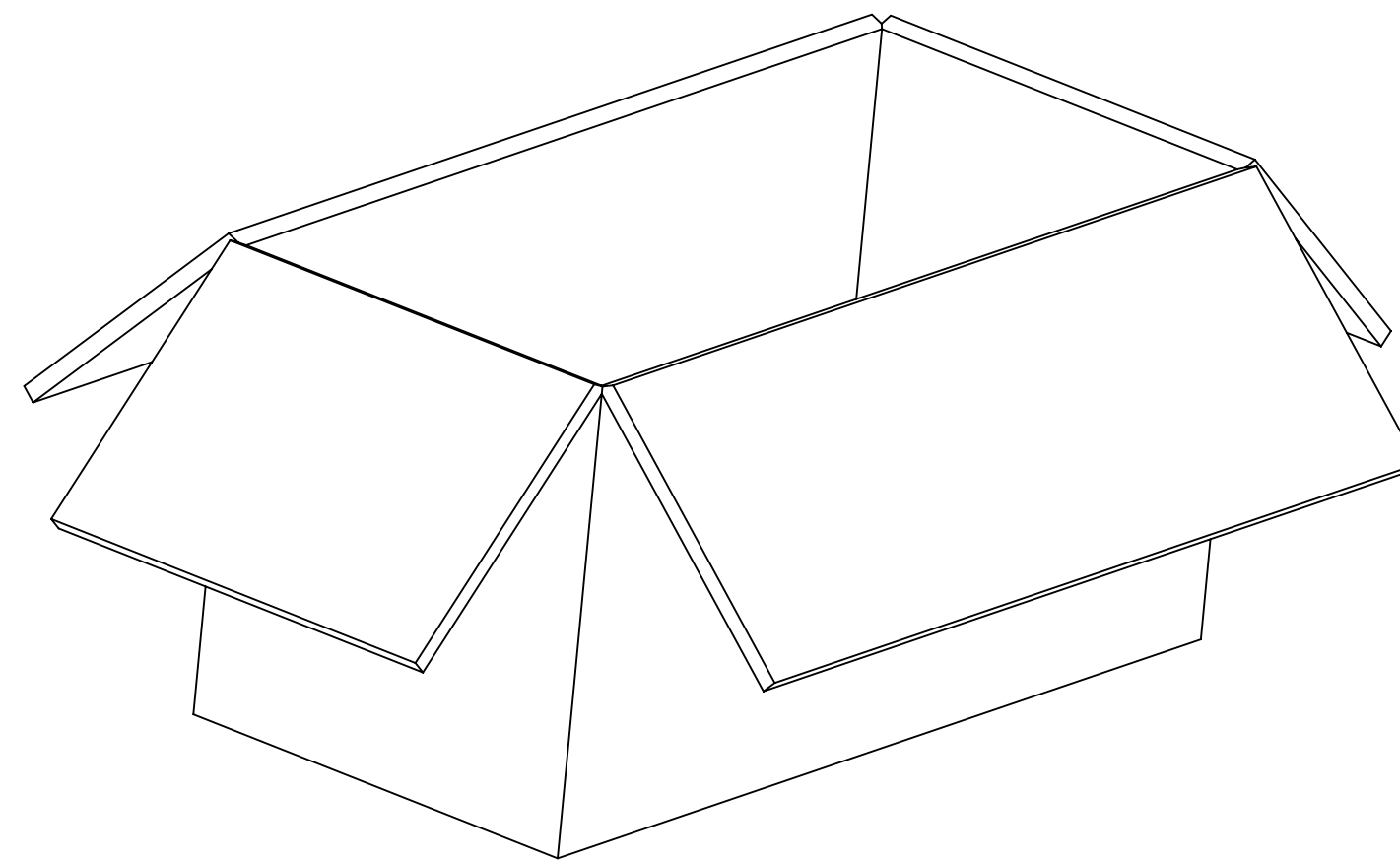
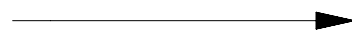
FOR 73251-4966 ONLY



1 SET PER POLYBAG
P/N: 89707-0317



50 SET PER POLYBAG
P/N: 89707-0176



500 SET PER OUTER CARTON BOX
P/N: 96707-0002

LABEL FORMAT FOR
73251-4966

PART NUMBER : 73251-2200
ORDER NUMBER : 73251-4966
MOLEX
DATE : YYWW

FUNCTIONAL SYMBOLS	THIS DRAWING CONTAINS INFORMATION THAT IS PROPRIETARY TO MOLEX ELECTRONIC TECHNOLOGIES, LLC AND SHOULD NOT BE USED WITHOUT WRITTEN PERMISSION									
	DIMENSION UNITS	SCALE	CURRENT REV DESC:							
$\frac{F}{A} = 0$	INCH/MM	NTS	EWR-14242-J ADDED LABEL FORMAT FOR 73251-4966							
$\frac{F}{C} = 0$	GENERAL TOLERANCES (UNLESS SPECIFIED)									
	ANGULAR TOL ± °									
$\frac{F}{P} = 0$	EC NO: 659677									
	4 PLACES	±	DRWN: JSU18 2021/03/24							
DIVISIONAL SYMBOLS	CHK'D: YCHENG 2021/04/06									
	3 PLACES	±	APPR: YCHENG 2021/04/06							
INITIAL REVISION:										
2 PLACES	±	DRWN: JLEE02 2014/03/28								
1 PLACE	±	APPR: WSPINK 2014/03/28								
0 PLACES	±									
DRAFT WHERE APPLICABLE MUST REMAIN WITHIN DIMENSIONS			THIRD ANGLE PROJECTION	DRAWING	SERIES	MATERIAL NUMBER	CUSTOMER	SHEET NUMBER		
				C-SIZE	73251	SD-73251-496	GENERAL MARKET	PSD	000	B9