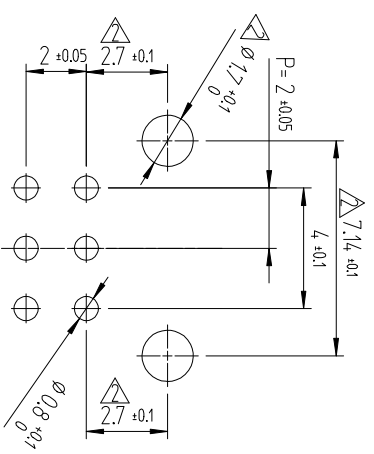
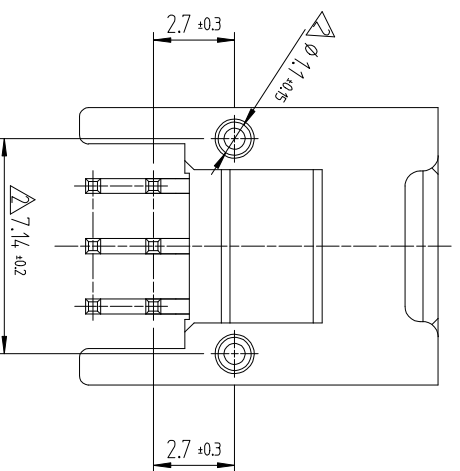
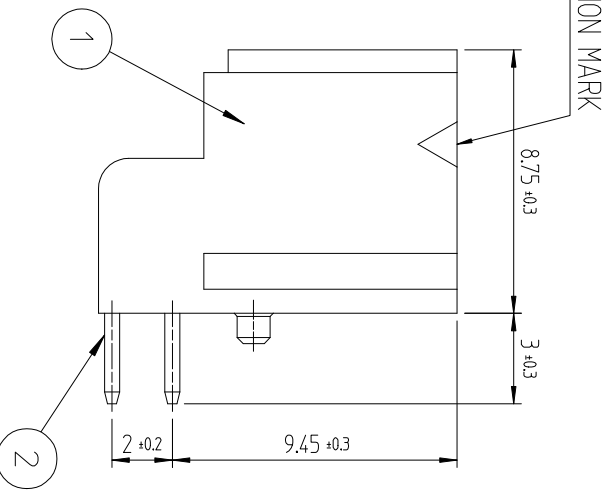
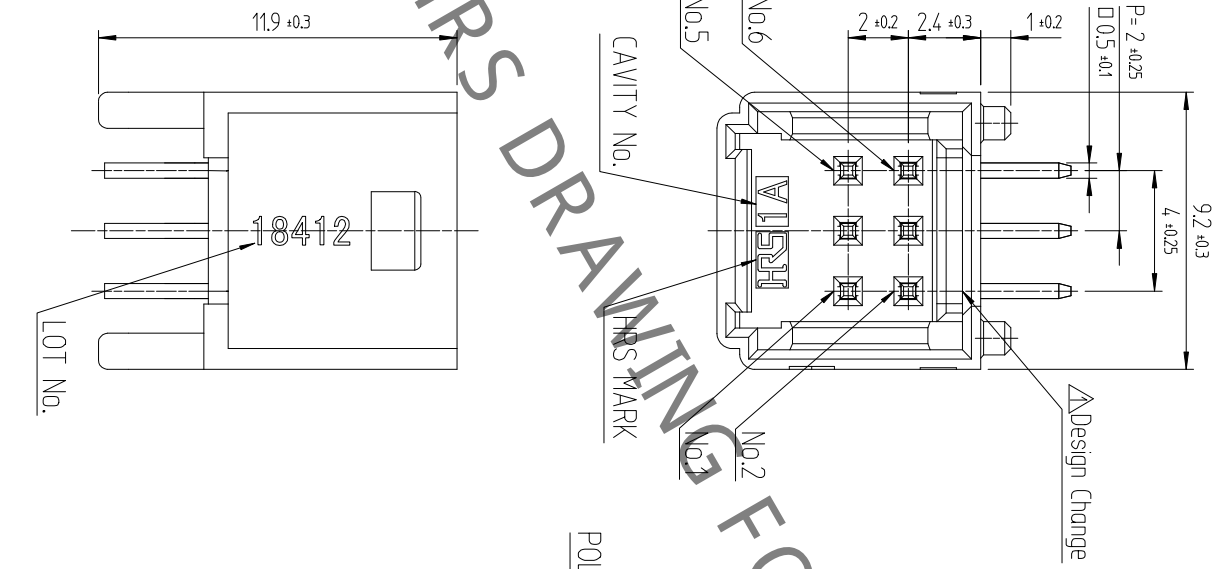


△数 COUNT	訂正事項 DESCRIPTION OF REVISIONS	檢査 CHKD	年月日 DATE	△数 COUNT	訂正事項 DESCRIPTION OF REVISIONS	檢査 CHKD	年月日 DATE
1	RE-6-1150	K.I.Y	18. 07. 04				
2	RE-6-1435	K.Y.H	19. 06. 19				
3	RE-6-1579	K.I.Y	20. 01. 23				

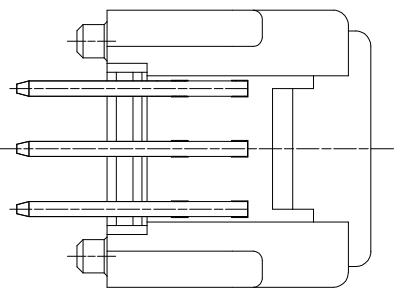
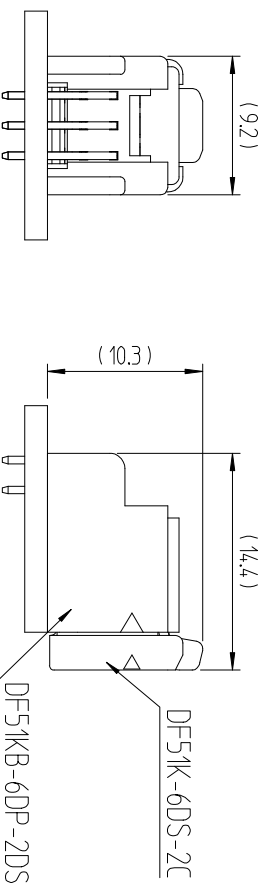
RECOMMENDED LAND PATTERN (FREE)
 (PCB THICKNESS t=1.6mm)



HRS DRAWING FOR REFERENCE



ENGAGEMENT FIGURE (2:1)



NOTE 1. 1PACK CONTAINS 330PCS.

2. () DIMENSIONS ARE ONLY REFERENCE.

△ 3. UL(IE) FILE NO. E132750) AUTHORIZATION ARTICLE.

C-UL(IE) FILE NO. E132750) AUTHORIZATION ARTICLE.



1	PBT	UL94V-0, BLACK	2	BRASS	TIN PLATING 1μm MIN, OVER NICKEL 0.5μm MIN
NO.	MATERIAL	FINISH/REMARKS	NO.	MATERIAL	FINISH/REMARKS
CODE NO. (OLD)			CODE NO.		
DRAWN	DESIGNED	CHECKED	APPROVED	RELEASED	
CHOI 18.03.02 J.S	CHOI 18.03.02 J.S	LIM 18.03.02 S.M	KANG 18.03.02 T.S	ENG 20.02.12 DEPT	
DRAWING NO. EDC3-632588		PART NO. DF51KB-6DP-2DS(800)			
SCALE 4:1		CODE NO. CL 6652-0057-6-800			
UNITS mm					