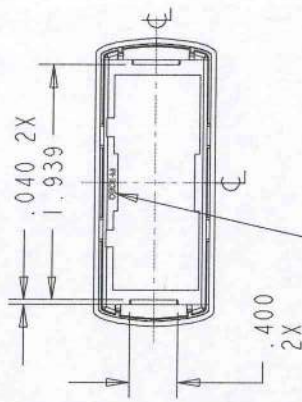
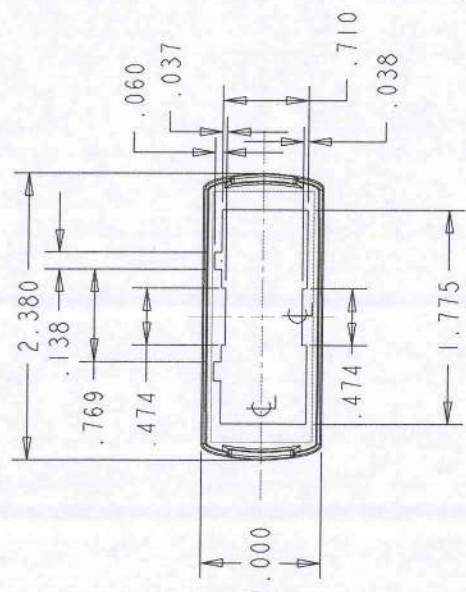
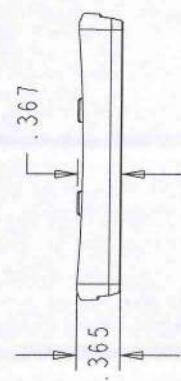
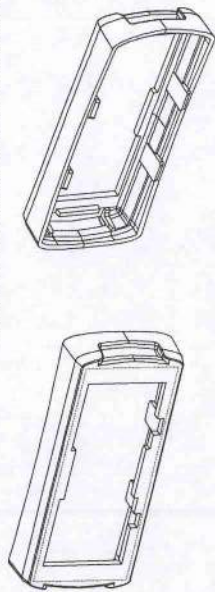


REVISONS			
LET	ECN	DESCRIPTION	DATE
01			05/04/12
02		ADDED CAVITY ID	05/22/12
			JMM



02 CAVITY ID:
 COPY 1.25 TALL
 RAISED 0,05 TO 0,1

NOTES:

1. FOR LIST OF MATERIAL SEE:
 PL 115128-501, 115129-501
2. UNLESS OTHERWISE SPECIFIED:
 CORNERS SHOWN SHARP HAVE
 A RADIUS OF .01.
3. NO KNOCKOUTS, GATES OR FLASH
 ON THE EXTERIOR SURFACES.
4. FLASH PERMISSIBLE WITHIN .005 INCH.
5. KNOCKOUTS FLUSH TO .005 BELOW SURFACE.
6. TEXTURE: EDM #33
7. INTERIOR FINISH: SPI C3 OR BETTER

PACINTEC Subsidiary of LaFrance Corp. One LaFrance way, Concordville, Pa., 19332-5002 U.S.A.		DRAWN BY: R. WOLSTENHOLME DATE: 05/04/12 CUSTOMER PRODUCT I.D.:	PROCESS: SCALE: 1/1 SHEET 1 OF 1
MOLDED TOLERANCE: PRODUCT WILL BE PRODUCED PER SET INSTITUTE PRODUCT STANDARDS AND TOLERANCES MACHINED: ANGLES: ±1/2° DECIMALS: .XX ± .02 .XXX ± .010	MATERIAL: ABS COLOR: SEE PARTS LIST CLASS: MEDIUM IMPACT U.L. RATING: SEE PARTS LIST	PART # 115667-01	DRAWING NUMBER 115667
STANARD CIN-XR OBD II MALE ENDCAP		REV 02	REV 02