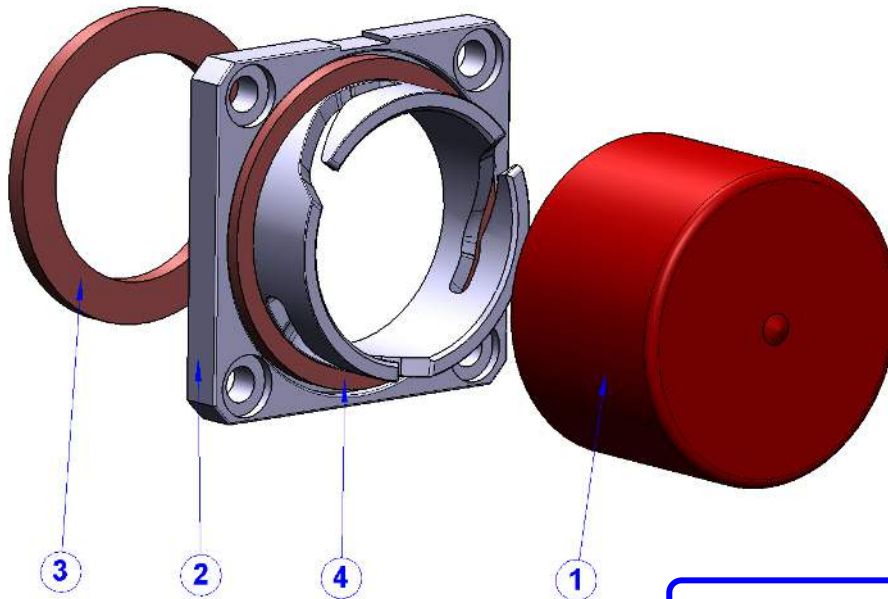


Dimensions in mm


**PATENT PENDING**

### DESCRIPTION

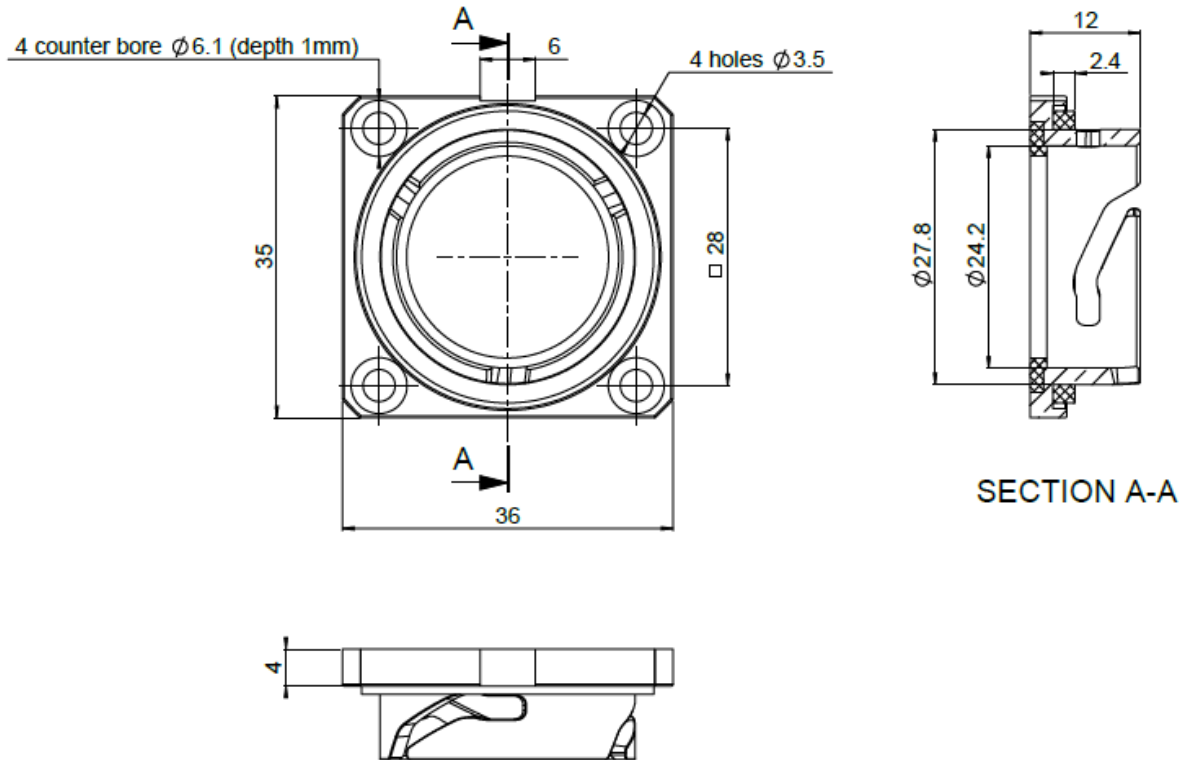
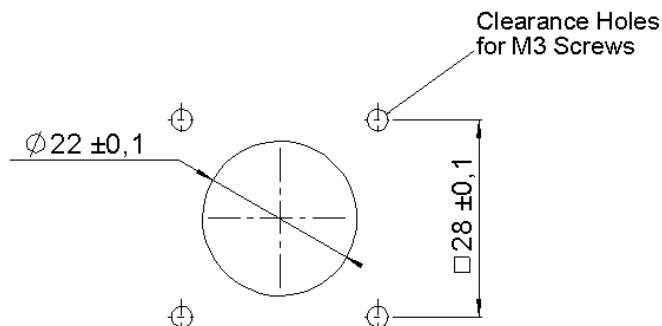
REP	COMPONENT	MATERIALS	PLATING
1	PROTECTION CAP	PLASTIC (colour red)	
2	RECEPTACLE BODY	BRASS	TIN NICKEL OVER COPPER
3	GASKET PANEL SEALING	SILICONE + anti-fungus treatment	
4	GASKET CONNECTION SEALING	SILICONE + anti-fungus treatment	

### GENERAL CHARACTERISTICS

<b>Mechanical :</b> Endurance	100 mating cycles
Vibrations	in accordance with IEC 61300-2-1 IEC 60721-3-4 class 4M5 ETSI EN 300 019-2-4
<b>Environmental:</b> Protection Operating temperature	IP65 (plugged with mated part) -40°C to + 85°C
<b>Weight :</b>	33g

<b>CREATION</b> N°:Project : EPC0812 Name: RV Date: 26/07/2010 Appr.: BD	24-12-18C	Revise the packing number C84 to C56	A YANG	S JIANG	<b>RADIALL®</b> 101, rue P. Hoffmann 93116 ROSNY/BOIS FRANCE Tel : (33) 0149353535 Fax : (33) 0148546363
	18-10-18C	Change thickness from 2 to 2.4 of gasket	K MAO	S JIANG	
	1336C	Add anti-fungus treatment on the gaskets	TJL	GM	
	1113 B	Update	MR	BD	
	1042 B	New protection cap	RV	BD	
	Issue	Revisions	Name	Appr.	

Dimensions in mm


**PANEL CUT OUT :**

**PACKAGING :**

56 pieces in one cardboard box (volume = 5 L)

<b>CREATION</b> N°:Project : EPC0812 Name: RV Date: 26/07/2010 Appr.: BD	24-12-18C	Revise the packing number C84 to C56	A YANG	S JIANG	<b>RADIALL®</b> 101, rue P. Hoffmann 93116 ROSNY/BOIS FRANCE Tel : (33) 0149353535 Fax : (33) 0148546363
	18-10-18C	Change thickness from 2 to 2.4 of gasket	K MAO	S JIANG	
	1336C	Add anti-fungus treatment on the gaskets	TJL	GM	
	1113 B	Update	MR	BD	
	1042 B	New protection cap	RV	BD	
	Issue	Revisions	Name	Appr.	