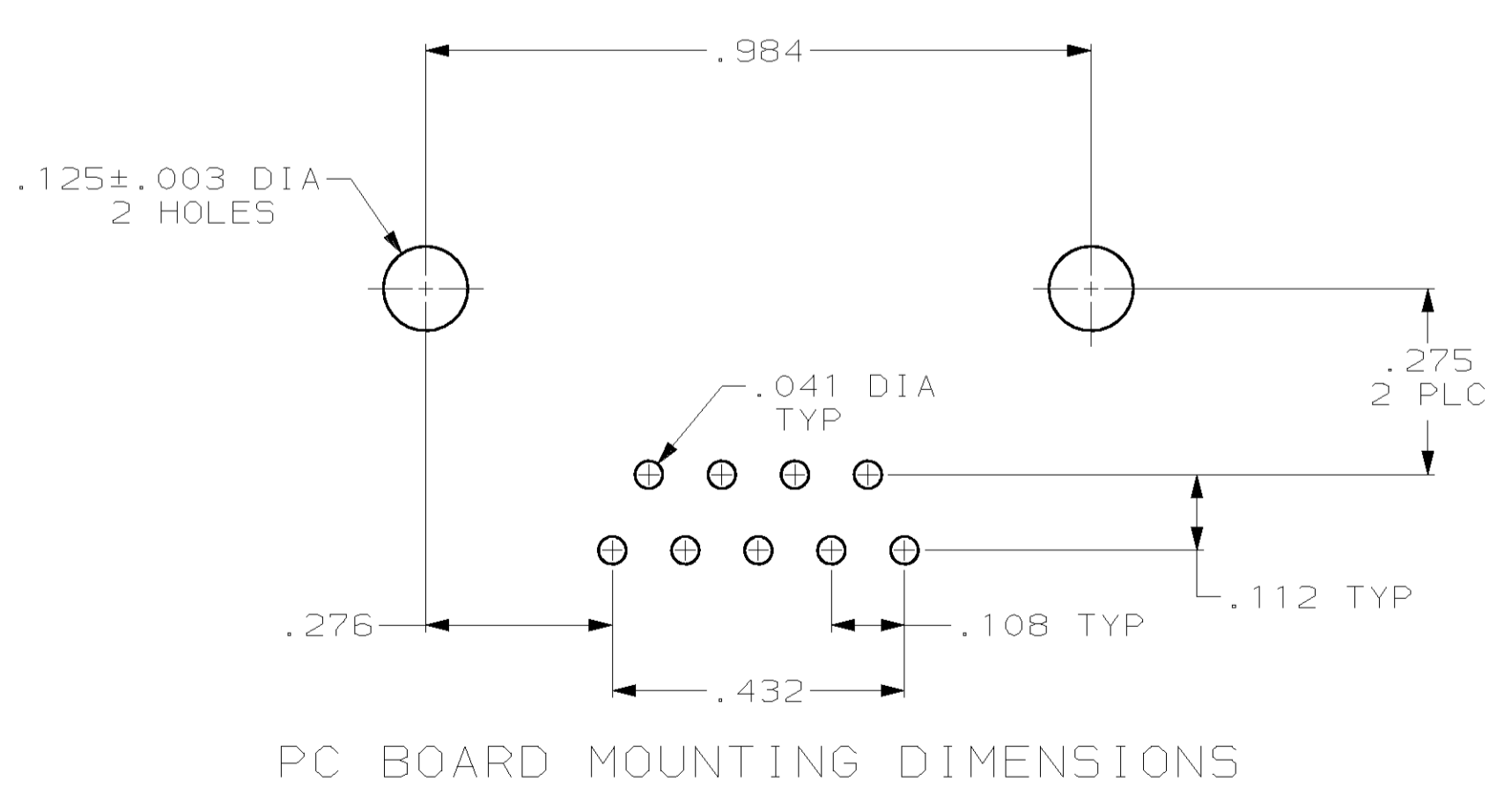
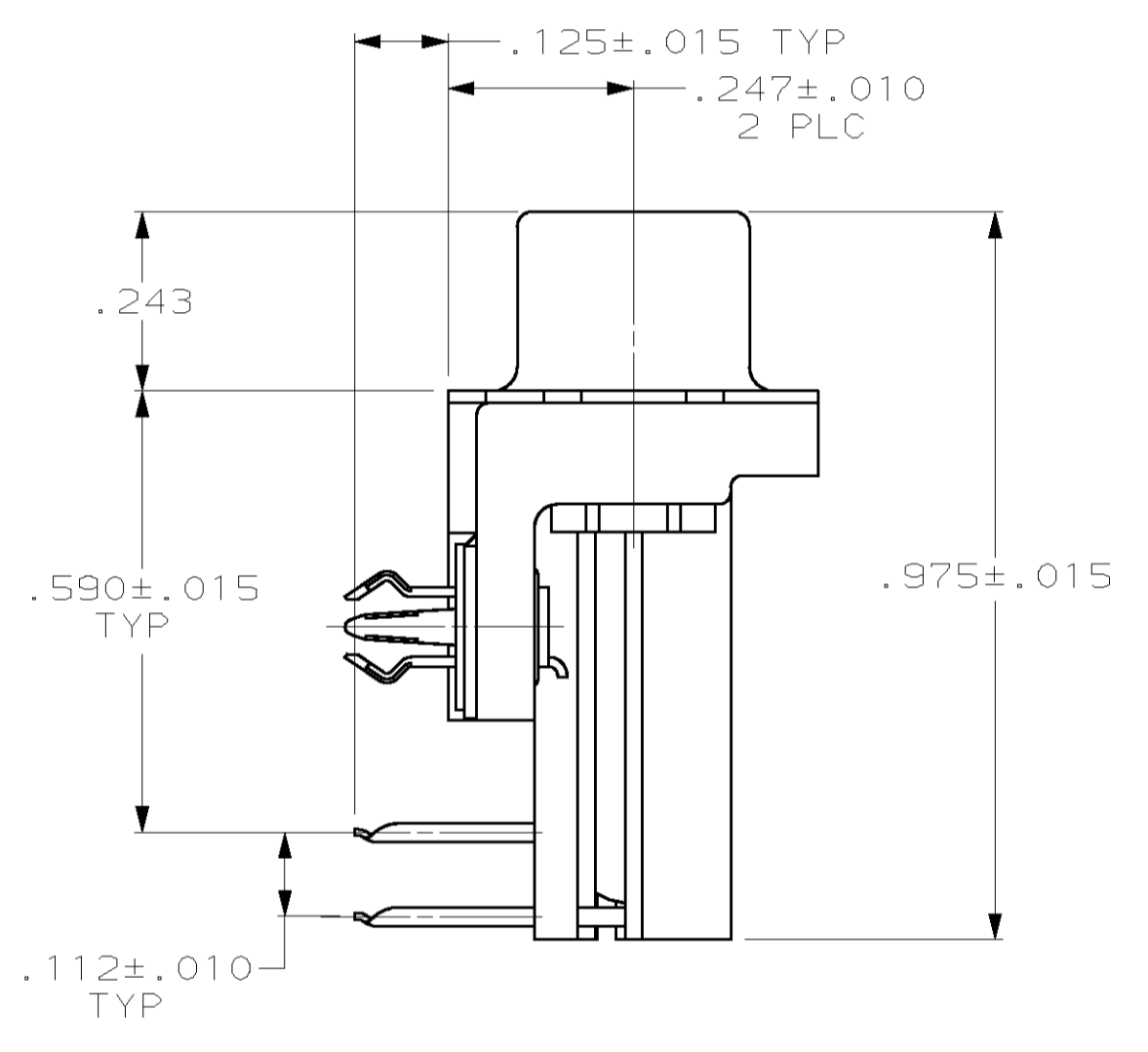
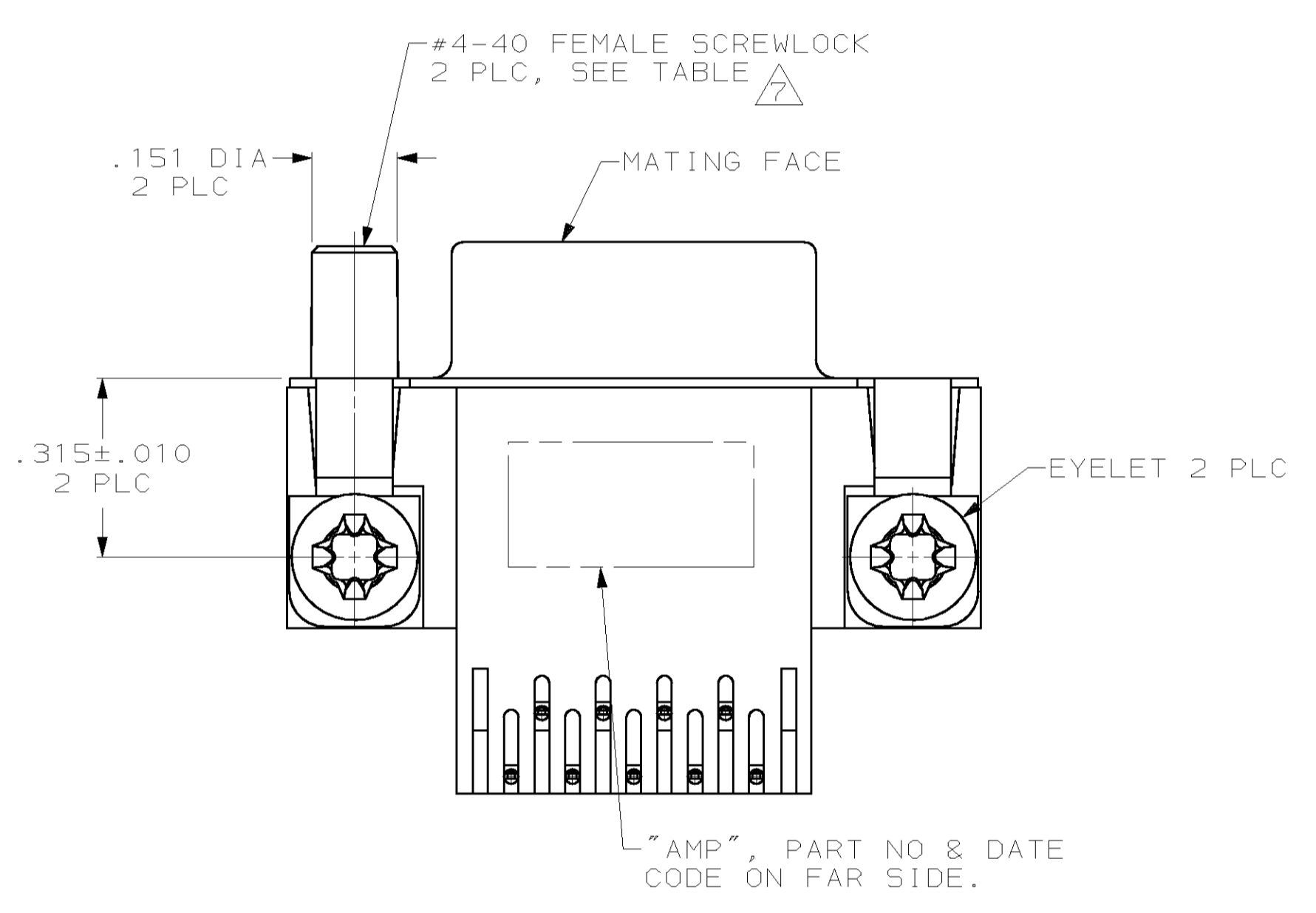


1. CONNECTOR MATES WITH ANY 9 POSN PLUG IN AMPLIMITE™ SERIES.
2. MOLDED PARTS: FLAME RETARDANT 94V-0 RATED THERMOPLASTIC, BLACK.
SHELL: STEEL PER ASTM A109
CONTACTS: PHOSPHOR BRONZE PER QQ-B-750
EYELETS: BRASS
SCREWLOCKS: ZINC
INSERTS: ZINC
BOARDLOCKS: COPPER ALLOY
3. SHELL: .000100 MIN TIN OR TIN-LEAD
CONTACTS: SEE TABLE
EYELETS: TIN
SCREWLOCKS: CLEAR CHROMATE
BOARDLOCKS: SEE TABLE
INSERTS: CLEAR CHROMATE
4. GOLD PLATING PER MIL-G-45204, NICKEL PLATING PER QQ-N-290, TIN PLATING PER MIL-T-10727.
5. GOLD FLASH FOR A DISTANCE OF .100 MIN FROM MATING END, .000100-.000200 BRIGHT TIN OR BRIGHT TIN-LEAD ON TERMINATION END, ALL OVER .000050 NICKEL ON ENTIRE CONTACT.
6. .000030 GOLD FOR A DISTANCE OF .100 MIN FROM MATING END, .000100-.000200 BRIGHT TIN OR BRIGHT TIN-LEAD ON TERMINATION END, ALL OVER .000050 NICKEL ON ENTIRE CONTACT.
7. SCREWLOCKS & INSERTS WILL WITHSTAND 4 IN LBS TORQUE & 20 LBS PULL OUT FORCE FROM MATING FACE SIDE.



	FEMALE SCREWLOCKS	TIN	6	6-747836-8
	THREADED INSERTS	TIN	6	6-747836-7
	FEMALE SCREWLOCKS	TIN-LEAD	6	747836-6
SUPSD BY 747836-6	FEMALE SCREWLOCKS	TIN-LEAD	5	747836-5
	THREADED INSERTS	TIN-LEAD	6	747836-4
OBSOLETE	THREADED INSERTS	TIN-LEAD	5	747836-3
OBSOLETE	.125 DIA HOLES	TIN-LEAD	6	747836-2
OBSOLETE	.125 DIA HOLES	TIN-LEAD	5	747836-1
	MOUNTING HARDWARE	BOARDLOCK FINISH	CONTACT FINISH	PART NUMBER

THIS DRAWING IS A CONTROLLED DOCUMENT.		DWN: J. GALLUCCI 25 JAN 91	AMP Incorporated	
		CHK: H.G. LENKER 15 APR 91	Harrisburg, PA 17105-3608	
DIMENSIONS: INCHES		APVD: J. YOUNG 15 APR 91	NAME: RECEPTACLE ASSEMBLY, SIZE 1, RIGHT ANGLE, .590 SERIES, FRONT METAL SHELL, .026 DIA POSTS, BOARDLOCKS, AMPLIMITE™ HD-20	
TOLERANCES UNLESS OTHERWISE SPECIFIED:		PRODUCT SPEC: 108-40025	SIZE: CAGE CODE DRAWING NO	
0 PLC ±.005		APPLICATION SPEC: 114-40010	RESTRICTED TO	
1 PLC ±.005		WEIGHT: -	A1 00779 C-747836	
2 PLC ±.005		CUSTOMER DRAWING	SCALE: 4:1 SHEET 1 OF 1 REV B	
3 PLC ±.005				
4 PLC ±.005				
ANGLES ±.2°				