

794992-1 ✓ ACTIVE

MATE-N-LOK | Universal MATE-N-LOK

TE Internal #: 794992-1

Interface Seal, Silicone Foam, Black, 3 Position, -55 – 105 °C [-67 – 221 °F] Operating Temperature, Universal MATE-N-LOK

[View on TE.com >](#)



Connectors > Connector Accessories > Connector Seals & Cavity Plugs



Connector Seal & Plug Type: **Interface Seal**

Primary Product Material: **Silicone Foam**

Primary Product Color: **Black**

Operating Temperature (Max): **105 °C [221 °F]**

Number of Positions: **3**

Features

Product Type Features

Connector Seal & Plug Type	Interface Seal
----------------------------	----------------

Configuration Features

Number of Positions	3
---------------------	---

Body Features

Primary Product Material	Silicone Foam
Primary Product Color	Black

Housing Features

Centerline (Pitch)	6.35 mm [.250 in]
--------------------	-------------------

Usage Conditions

Operating Temperature (Max)	105 °C [221 °F]
Operating Temperature Range	-55 – 105 °C [-67 – 221 °F]

Packaging Features

Packaging Quantity	1000
Packaging Method	Reel

Product Compliance

For compliance documentation, visit the product page on [TE.com](https://www.te.com)>

EU RoHS Directive 2011/65/EU	Compliant
EU ELV Directive 2000/53/EC	Not Yet Reviewed
China RoHS 2 Directive MIIT Order No 32, 2016	No Restricted Materials Above Threshold
EU REACH Regulation (EC) No. 1907/2006	Current ECHA Candidate List: JUNE 2023 (235) Candidate List Declared Against: JAN 2023 (233) Does not contain REACH SVHC
Halogen Content	Low Halogen - Br, Cl, F, I < 900 ppm per homogenous material. Also BFR/CFR/PVC Free
Solder Process Capability	Not applicable for solder process capability

Product Compliance Disclaimer

This information is provided based on reasonable inquiry of our suppliers and represents our current actual knowledge based on the information they provided. This information is subject to change. The part numbers that TE has identified as EU RoHS compliant have a maximum concentration of 0.1% by weight in homogenous materials for lead, hexavalent chromium, mercury, PBB, PBDE, DBP, BBP, DEHP, DIBP, and 0.01% for cadmium, or qualify for an exemption to these limits as defined in the Annexes of Directive 2011/65/EU (RoHS2). Finished electrical and electronic equipment products will be CE marked as required by Directive 2011/65/EU. Components may not be CE marked. Additionally, the part numbers that TE has identified as EU ELV compliant have a maximum concentration of 0.1% by weight in homogenous materials for lead, hexavalent chromium, and mercury, and 0.01% for cadmium, or qualify for an exemption to these limits as defined in the Annexes of Directive 2000/53/EC (ELV). Regarding the REACH Regulation, the information TE provides on SVHC in articles for this part number is based on the latest European Chemicals Agency (ECHA) 'Guidance on requirements for substances in articles' posted at this URL: <https://echa.europa.eu/guidance-documents/guidance-on-reach>





Compatible Parts

 <p>TE Part # 3-643228-0 03P UMNL HDR ASSY R/A 94VO LF</p>	 <p>TE Part # 643228-1 03P UMNL HDR ASSY R/A 94VO</p>	 <p>TE Part # 3-350943-0 03P UMNL HDR ASSY R/A 94VO LF</p>	 <p>TE Part # 350790-1 03P UMNL PIN HDR ASSY 94VO</p>
---	---	---	--



 <p>TE Part # 350789-3 03P UMNL PIN HDR ASSY 94VO</p>	 <p>TE Part # 1-350943-0 03P UMNL HDR ASSY R/A 94VO</p>	 <p>TE Part # 641965-1 03P UMNL PIN HDR ASSY V2 NATL</p>	 <p>TE Part # 350789-1 03P UMNL PIN HDR ASSY 94VO</p>
 <p>TE Part # 350760-4 03P UMNL HDR ASSY PC</p>	 <p>TE Part # 350767-1 03P UMNL CAP HSG V0</p>	 <p>TE Part # 350429-1 03P UMNL PIN HDR ASSY NATL</p>	 <p>TE Part # 641966-1 03P UMNL PIN HDR ASSY 94VO</p>
 <p>TE Part # 350766-1 03P UMNL PLUG HSG</p>	 <p>TE Part # 350825-4 03P UMNL HDR ASSY PC 94VO LF</p>	 <p>TE Part # 350825-1 03P UMNL HDR ASSY PC 94VO</p>	 <p>TE Part # 643414-3 03P UMNL HDR ASSY POL 94VO LF</p>
 <p>TE Part # 643413-1 03P UMNL HDR ASSY SCKT POL</p>	 <p>TE Part # 643414-1 03P UMNL HDR ASSY POL 94VO</p>	 <p>TE Part # 1-480701-0 03P UMNL CAP HSG NATL</p>	 <p>TE Part # 1-480700-0 03P UMNL PLUG HSG NATL</p>

Also in the Series | **Universal MATE-N-LOK**

 <p>Circular Power Connectors(2)</p>	 <p>Connector Contacts(2)</p>	 <p>Connector Seals & Cavity Plugs(27)</p>	 <p>Connector Strain Relief(34)</p>
---	---	---	--



Insertion & Extraction Tools(4)



Power Contacts(209)



Rectangular Connector Adapters(7)



Rectangular Connector Hardware(1)



Rectangular Connector Housings(1)



Rectangular Connector Keying Plugs(3)



Rectangular Connector Locking(8)



Rectangular Power Connectors(672)

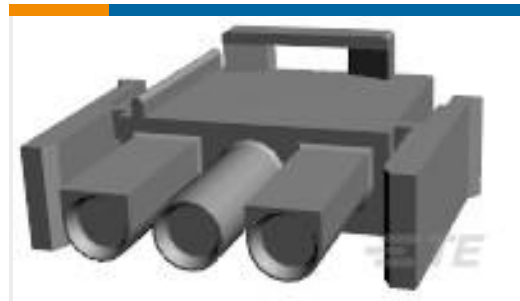
Customers Also Bought



TE Part #1586845-1
04P UMNL CAP HSG NATL, GW



TE Part #42617-1
187 FASTON REC 20-16 AWG BR



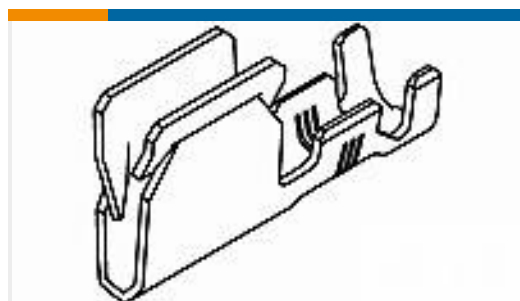
TE Part #1586847-1
03P UMNL PLUG HSG, GW



TE Part #1586851-1
02P UMNL PLUG HSG, GW



TE Part #60772-1
RING CRIMP 18-14 AWG BR



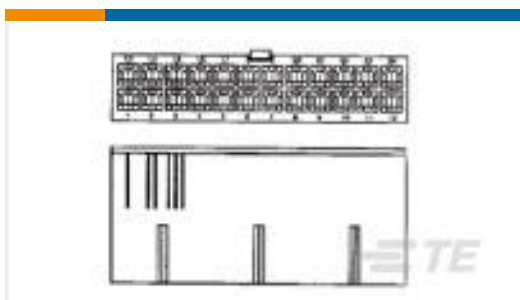
TE Part #63895-1
GROUND CLIP 14-18AWG ST



TE Part #42510-1
250 FASTON REC 22-18 AWG BR



TE Part #40509
SPLICE 3300 TO 9000 CMA BR



TE Part #1586862-8
8P FH PLUG VAL-U-LOK FH GW



TE Part #1601599-1
L061/076C16TB=RTM 1100-3200

Documents



Product Drawings

03P UMNL BLACK INTERFACE SEAL

English

CAD Files

3D PDF

3D

Customer View Model

[ENG_CVM_CVM_794992-1_C.2d_dxf.zip](#)

English

Customer View Model

[ENG_CVM_CVM_794992-1_C.3d_igs.zip](#)

English

Customer View Model

[ENG_CVM_CVM_794992-1_C.3d_stp.zip](#)

English

By downloading the CAD file I accept and agree to the [Terms and Conditions](#) of use.

Datasheets & Catalog Pages

SOFT_SHELL_PIN_AND_SOCKET_CONNECTORS_CATALOG

English

Product Specifications

Application Specification

English

Product Environmental Compliance

TE Material Declaration

English