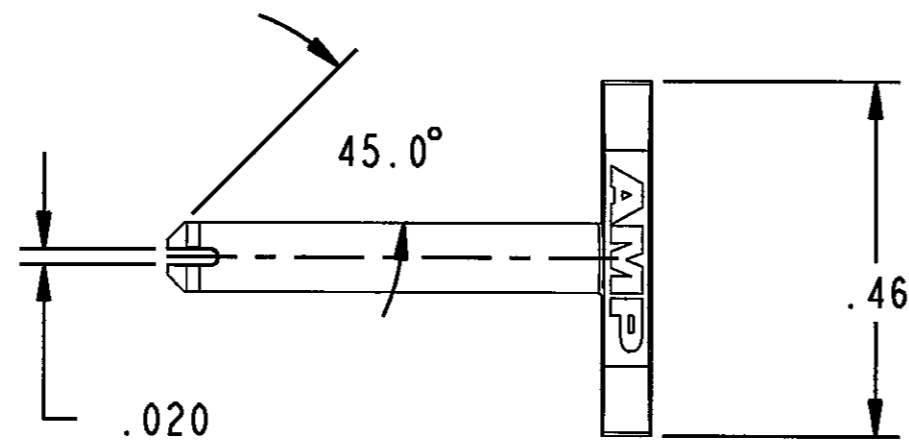
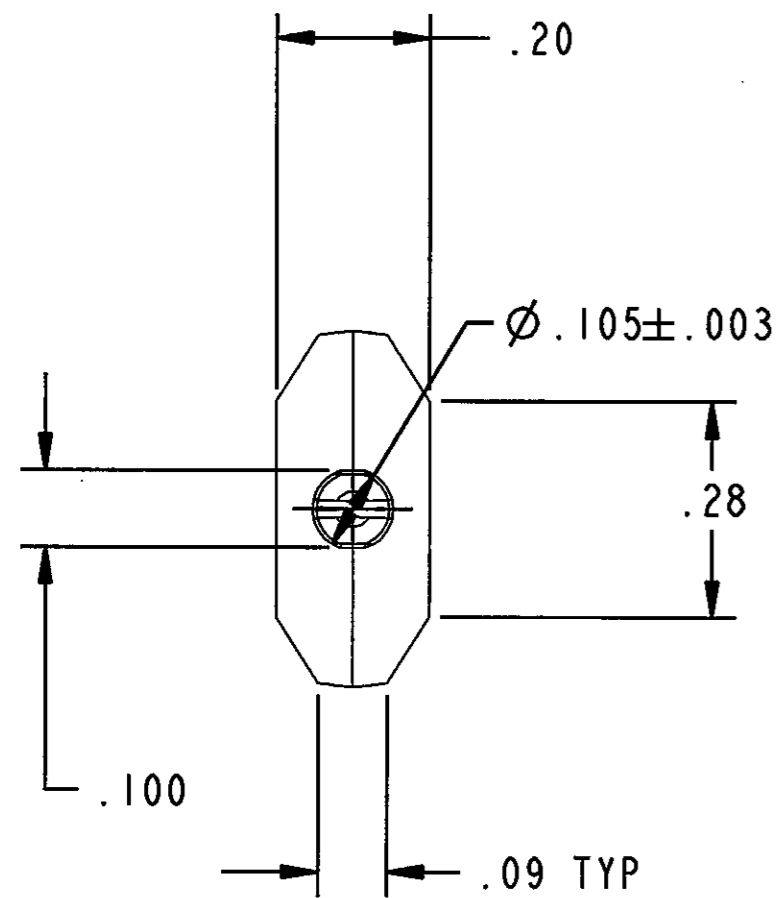


THIS DRAWING IS UNPUBLISHED. RELEASED FOR PUBLICATION .19
 © COPYRIGHT 199 BY AMP INCORPORATED. ALL RIGHTS RESERVED.

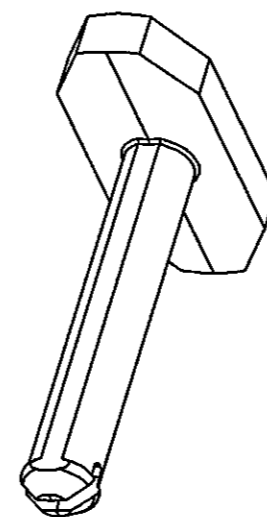
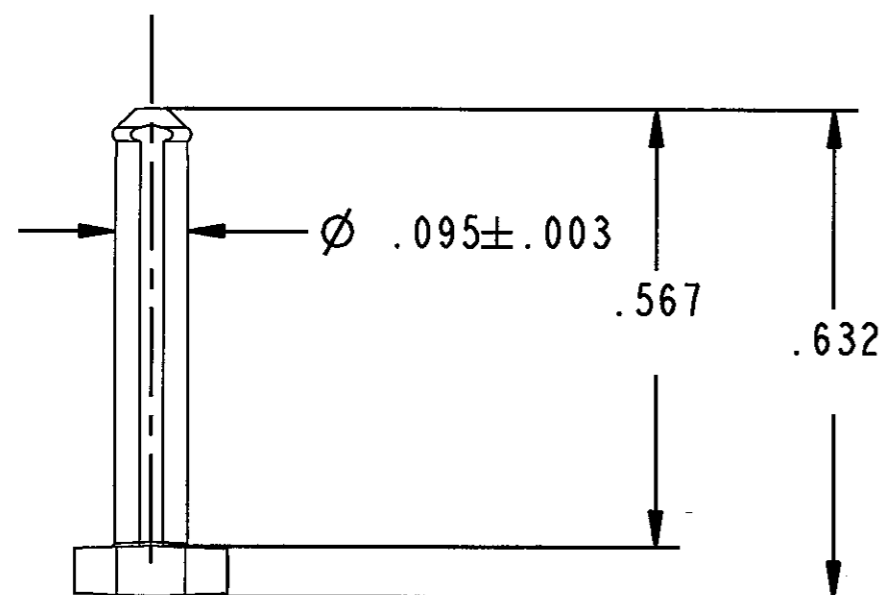
LOC		DIST		REVISIONS			
P	LTR	DESCRIPTION	DATE	DWR	APVD		
	0	RELEASED	29OCT97	MK I	JS		



△ MATERIAL: POLYCARBONATE
 COLOR: BLACK.

2. PART MASS IS APPROXIMATELY .175 GRAMS.

3. USED IN KIT 145308.



<small>THIS DRAWING IS A CONTROLLED DOCUMENT FOR AMP INCORPORATED. IT IS SUBJECT TO CHANGE AND THE CONTROLLING ENGINEERING ORGANIZATION SHOULD BE CONTACTED FOR THE LATEST REVISION.</small>		DWR E. E. BERKEBILE	AMP AMP Incorporated Harrisburg, PA 17105-3608	
DIMENSIONS: INCHES		CHK -	NAME PIN, HEATSINK SUPPORT	
TOLERANCES UNLESS OTHERWISE SPECIFIED: 0 PLC ± - 1 PLC ± - 2 PLC ± .01 3 PLC ± .005 4 PLC ± - ANGLES ± 0° 30' FINISH -		APVD -	PRODUCT SPEC -	
MATERIAL △		APP -	APPLICATION SPEC -	
		WEIGHT -	SIZE A2	CAGE CODE 00779
		DRAWING NO 145311		SCALE 4:1
		CUSTOMER DRAWING		SHEET 1 OF 1 REV 0