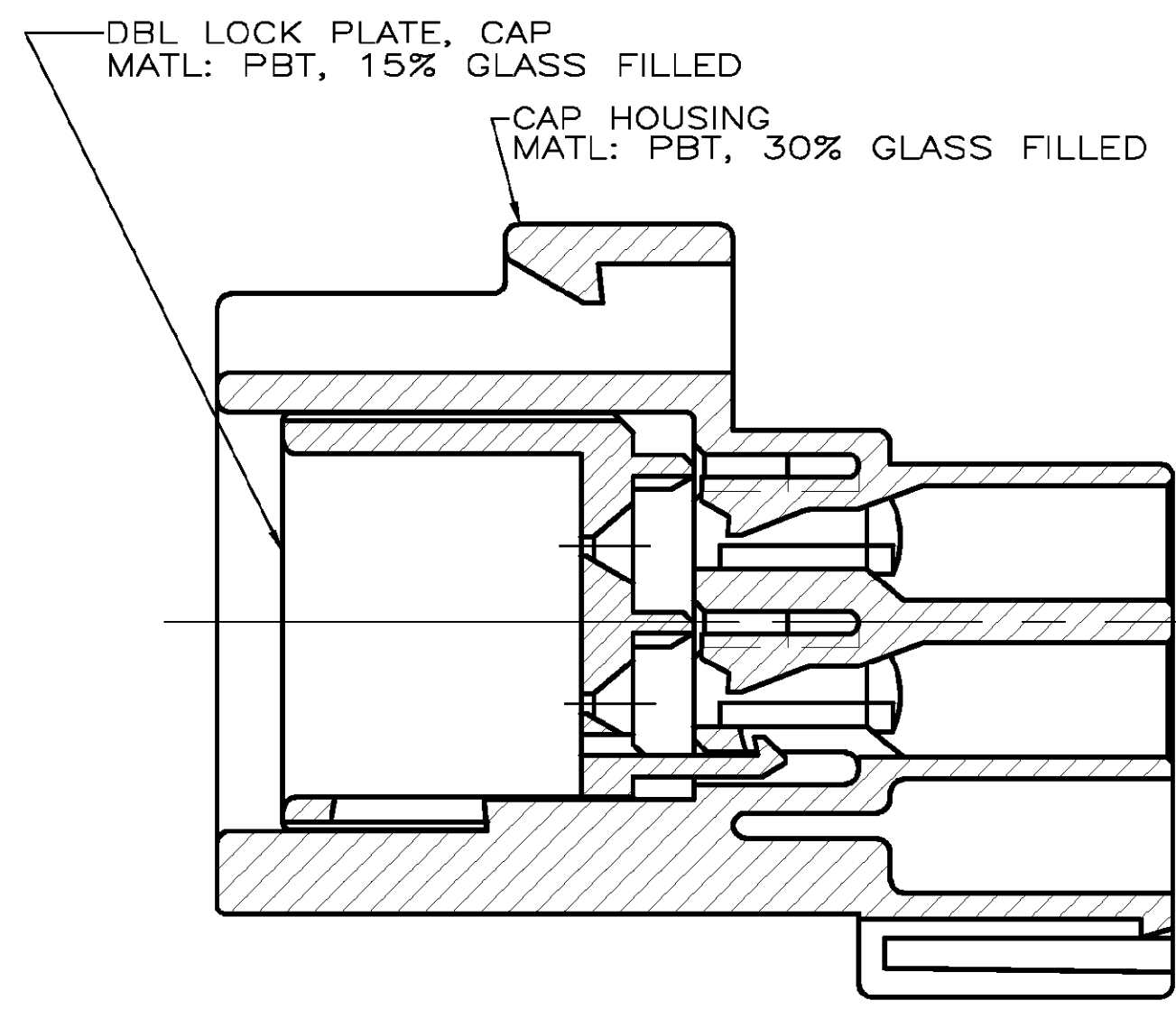
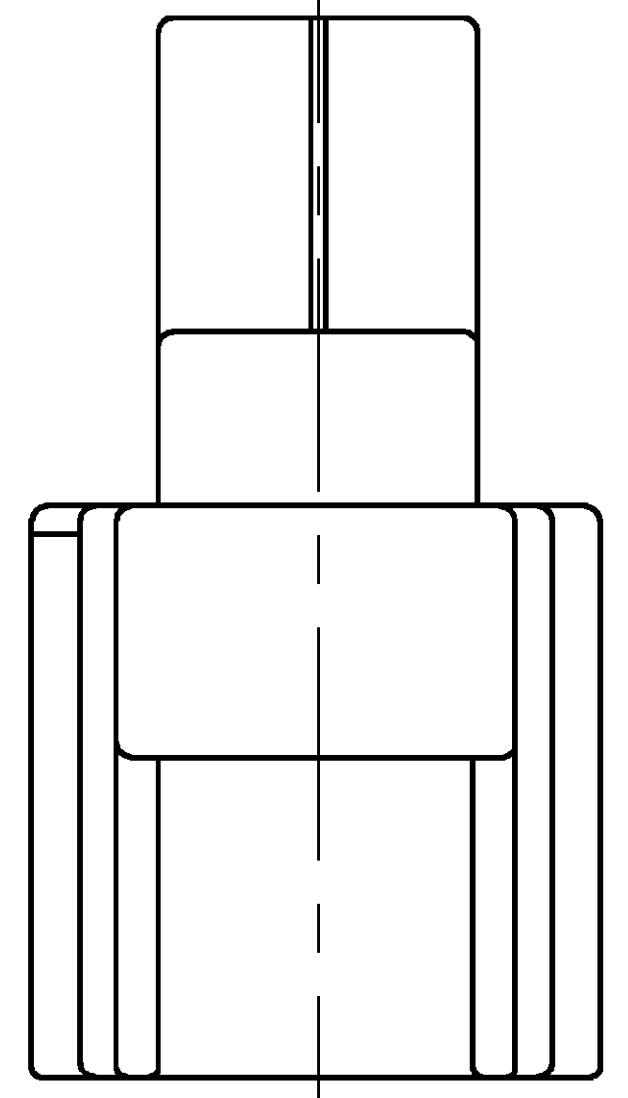
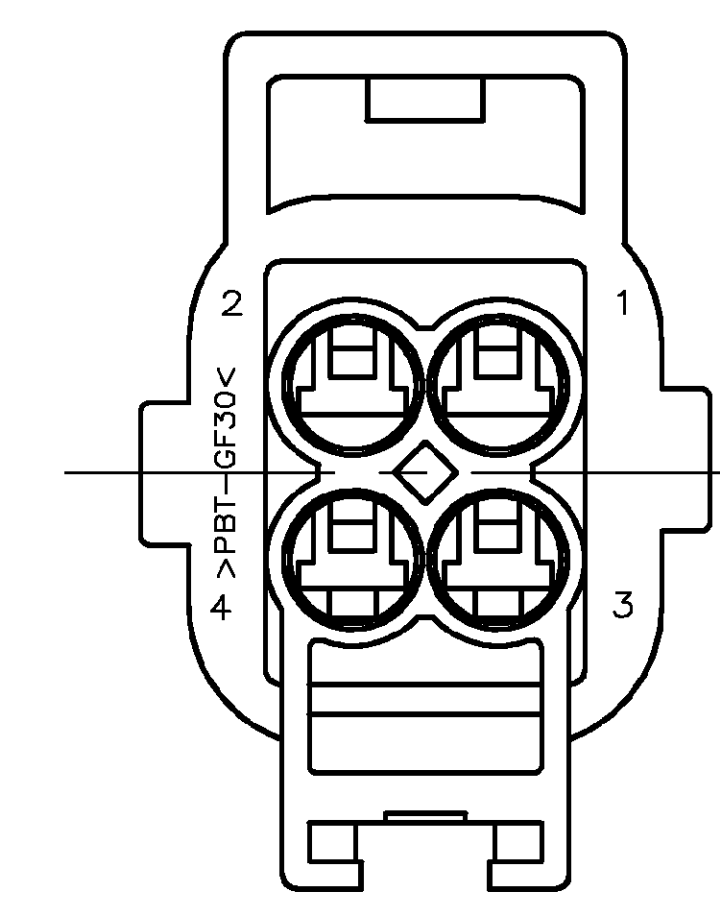
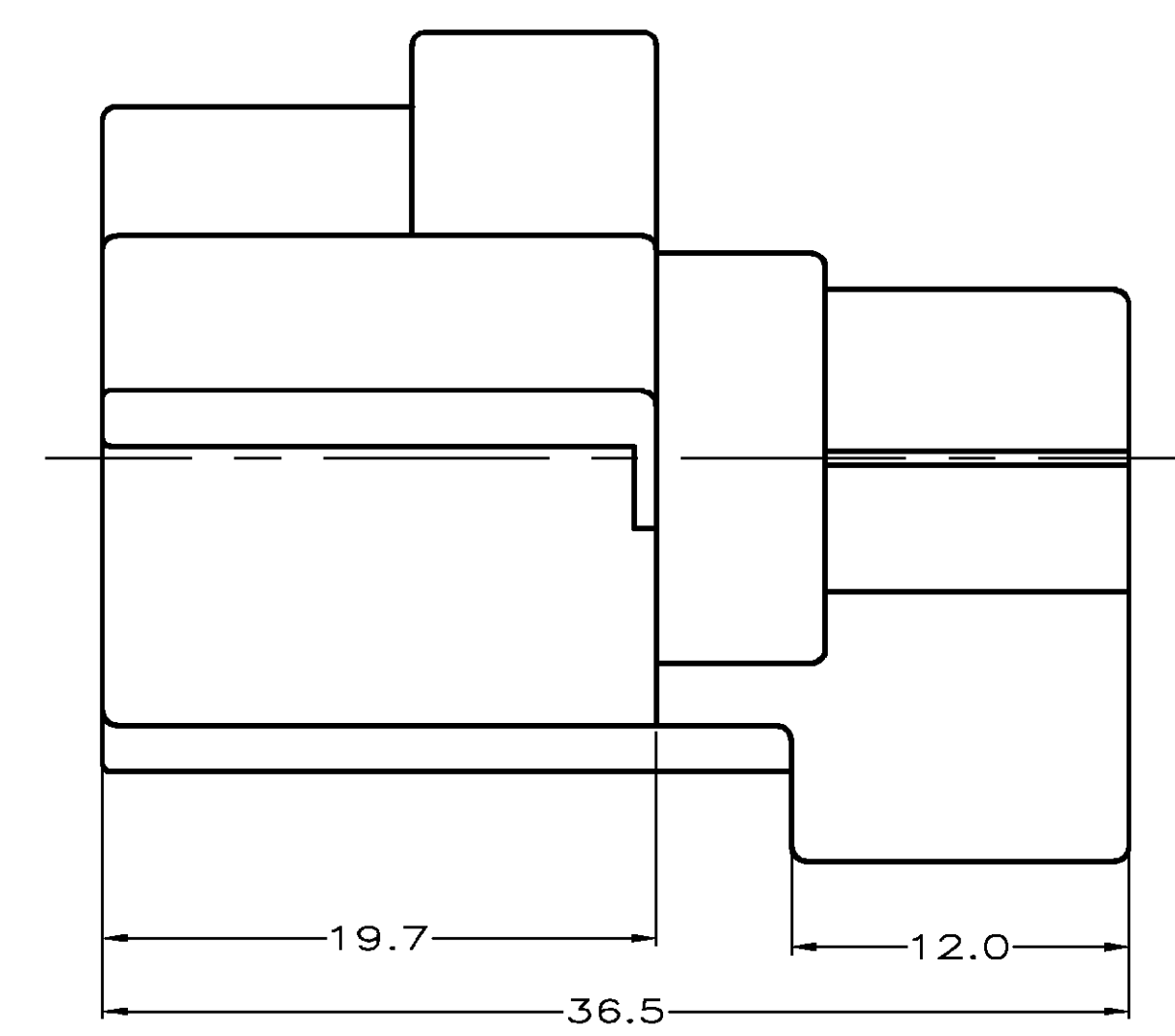
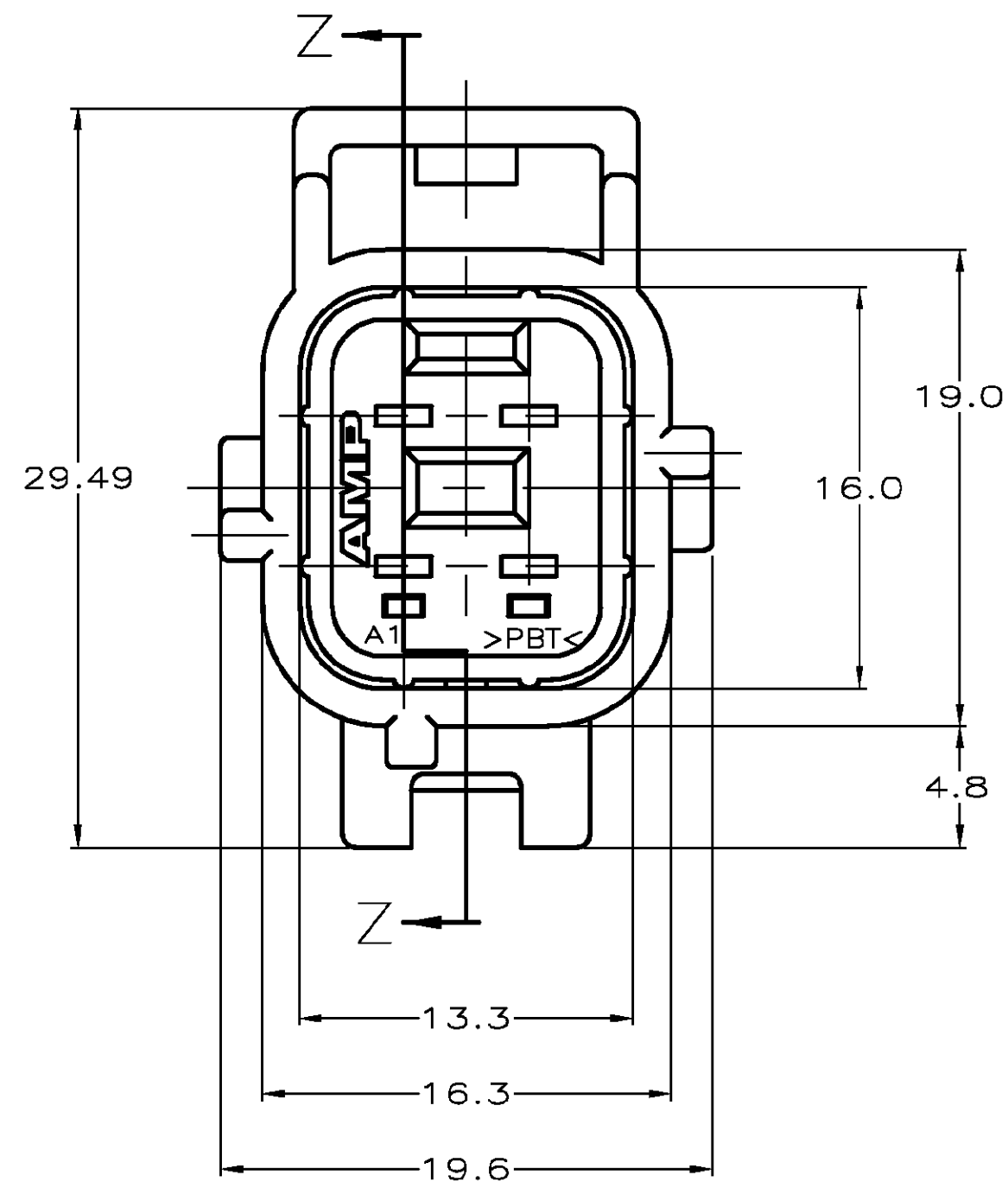


LOC	DIST	REVISIONS			
P	LTR	DESCRIPTION	DATE	DWN	APVD
GE	00	A	EC OK40-0651-02	25JUL02	JRB/KLC



SECTION Z-Z



GRAY	184408-2
NATURAL	184408-1
CAP COLOR	PART NUMBER

THIS DRAWING IS A CONTROLLED DOCUMENT.		DWN AJ GRAFF 03AUG01	Tyco Electronics Corporation Harrisburg, PA 17105-3608	
DIMENSIONS: MM		CHK K COBLE 03AUG01	NAME 2 x 2 CAP ASY, KEY G-C3	
TOLERANCES UNLESS OTHERWISE SPECIFIED: 0 PLC ± - 1 PLC ± 0.3 2 PLC ± 0.15 3 PLC ± - 4 PLC ± - ANGLES ± -		APVD K COBLE 03AUG01	APPLICATION SPEC	
MATERIAL		WEIGHT	SIZE A2	CAGE CODE 00779
FINISH		RESTRICTED TO	DRAWING NO 184408	
		CUSTOMER DRAWING	SCALE 4:1	SHEET 1 OF 1

1844084408