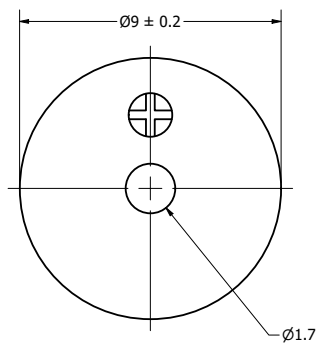
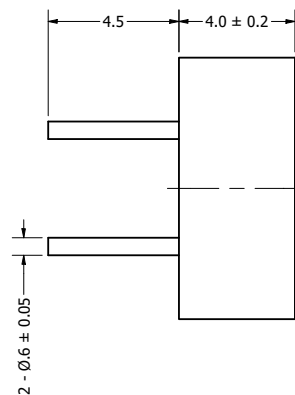


Part Number:	<b>TE092705-6</b>	
DRAWN	CJ	9/20/2018
CHECKED	C.H.	10/1/2018
Description:	<b>Electro-Mechanical Transducer</b>	
APPROVED	C.E.	10/1/2018
<small>This document contains data proprietary to DB Unlimited. Any use or reproduction, in any form, without prior written permission of DB Unlimited is prohibited. All terms and conditions can be found at <a href="http://www.dbunlimitedco.com">www.dbunlimitedco.com</a></small>		

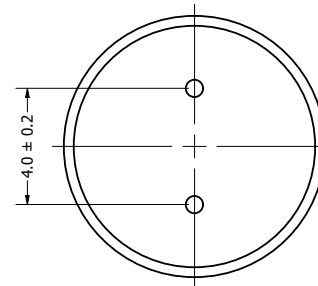
Top View



Side View



Bottom View



Items	Specifications	Conditions
Min. Sound Pressure Level	85	dB (@ 10cm)
Resonant Frequency	2,731	Hz
Rated Voltage	5	V
Voltage Range	3 ~ 7	V
Coil Resistance	40	$\Omega$
Max. Rated Current	85	mA
Storage Temperature	-40 ~ +85	$^{\circ}\text{C}$
Operating Temperature	-40 ~ +85	$^{\circ}\text{C}$
Connection Method	PC pins	
Mount Type	Thru Hole	
Housing Material	PBT	
Weight	1	g

REVISION HISTORY

REV	DESCRIPTION	DATE	APPROVED
	Released from Engineering	10/21/2013	J.S.
1	Updated temps, coil resistance, max current, drawing to new template	10/1/2018	C.E.
2	Updated housing material	8/26/2021	L.L.

NOTES

- 1) All dimensions are in mm unless otherwise noted
- 2) All tolerances are  $\pm 0.5$  mm unless otherwise noted
- 3) All parts meet RoHS
- 4) Subject to change or redrawn without notice