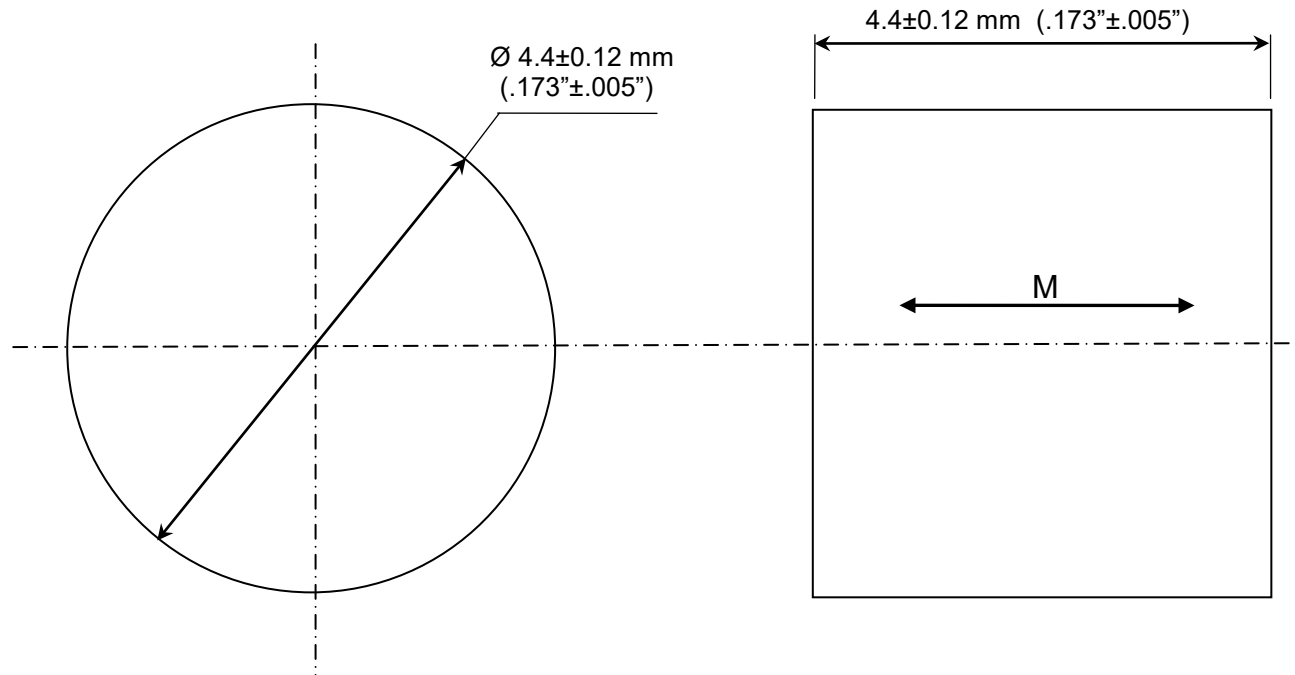
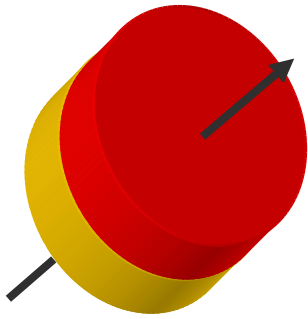


CONFIDENTIAL & PROPRIETARY INFORMATION

This document contains Confidential and Proprietary Information of Alliance LLC, and all design, manufacturing, reproduction, use, and sale rights of such information are expressly reserved

ALL DIMENSIONS ARE IN MM (INCH)



NOTES:

- MAGNET PROPERTIES PER N-35SH:
 Br: 11,800-12,200 G
 Hc: 10,800-11,500 Oe
 Hci: ≥20,000 Oe
 T max: 150 C
- SUPPLIED MAGNETIZED THROUGH THE THICKNESS
- PARTS ARE NICKEL PLATED



REV	DESCRIPTION	DATE	BY

TOLERANCES
(UNLESS OTHERWISE NOTED)

DECIMAL METRIC
 X.XX = ± .01 X.X = ± .25
 X.XXX = ± .005 X.XX = ± .13

ANGLES
 ± .5°

DO NOT SCALE DRAWING

Alliance LLC		
1450 CLARK DRIVE, VALPARAISO, INDIANA 46385		
DESCRIPTION: 5.0 mm x 4.0 mm DISC MAGNET		
SENSOR MAGNET		P/N: ALC4044
GRADE: N-35SH	Drwg by: BT	REV LEVEL: A
COATING: Nickel	Appr by: DV	Approval: 06-15-2017