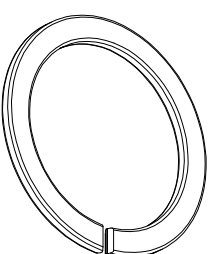
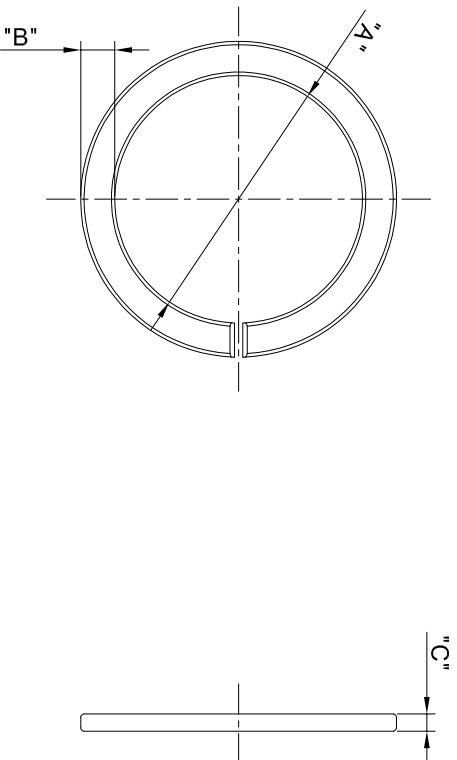


REVISIONS				
REV	ECO	DESCRIPTION	DATE	BY APPR
A1		FIRST RELEASED	Apr.05.2016	Drack Tommy
A2		UPDATE THE NOTES	Jul.20.2016	Drack Tommy
A3		ADD 16# & 18# PART	Nov.22.2017	Nick Tommy



SHELL	P/N	DIM A	DIM B	DIM C
8#	RTS8CCRX	Ø11.2	2.0	1.0
10#	RTS10CCRX	Ø14.5	2.0	1.0
12#	RTS12CCRX	Ø18.5	1.9	1.2
14#	RTS14CCRX	Ø21.7	1.9	1.8
16#	RTS16CCRX	Ø24.2	1.9	1.0
18#	RTS18CCRX	Ø27.6	1.9	1.0

"X" DENOTE COLOR:
 WHEN "X"="G", GREEN, PANTONE 348C.
 WHEN "X"="R", RED, PANTONE 194C.
 WHEN "X"="Y", YELLOW, PANTONE 123C.

- NOTES : (UNLESS OTHERWISE SPECIFIED)
- MATERIAL : THERMOPLASTIC , UI94 V-0.
 - SPECIFICATIONS :
 - OPERATING TEMPERATURE : -40°C ~ 125°C.
 - ROHS COMPLIANT.
 - ALL DIMENSIONS ARE FOR REFERENCE USE ONLY.

QUANTITY	PART NUMBER	DESCRIPTION	ITEM
MATERIALS LIST			

UNLESS OTHERWISE SPECIFIED 1) All dimensions are in millimeters. 2) Tolerances are as follows: 1 Pt. DEC 40.30 Fractions .1"1/4 3 Pt. DEC 40.08 Angles .1°	SIGNATURES	DATE	<p style="text-align: center;">Amphenol</p> <p>Sine Systems - www.amphenol-sine.com 44724 Morley Drive Clinton Township, MI 48036</p>
3) Note reference =	DRAWN: NIK	Nov/22/07	
	CREATED: IOD	Nov/22/07	
MATERIAL SPECIFICATIONS:	ENGINEER: TOMMY	APPROVAL: Tommy	Nov/22/07
PROCESS SPECIFICATIONS:	CUSTOMER:		

THIS DRAWING IS SUPPLEMENTARY TO THE AMPHENOL SPECIFICATIONS AND PERFORMANCE DATA. THE AMPHENOL CORPORATION ASSUMES NO RESPONSIBILITY FOR REPRODUCTION ERRORS OR MANUFACTURING VARIATIONS. NORMAL.	SIZE	TYPE	DWG NO.	REVISION
	B	C-	RTSXCCRX	A3
NEXT ASST:	SCALE:	NONE	SHEET	1 OF 1

FILE:ECO-MATE_IDENTIFY_RING_SIZE_08,10,12,14,16,18

DWG NO.: RTSXXCCRX

REV: A3

SH: 1

OF: 1