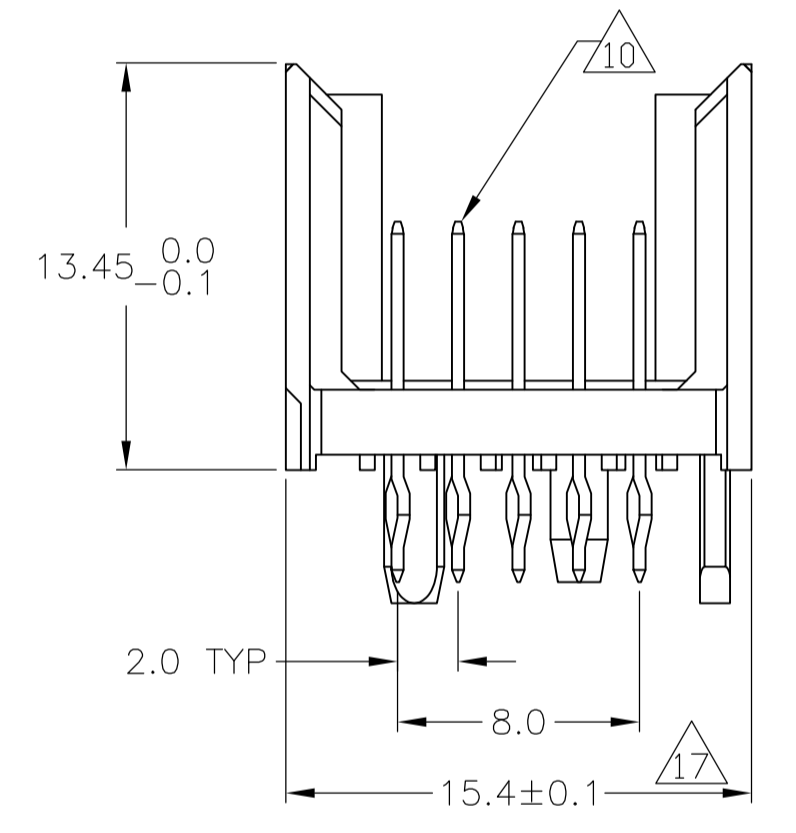
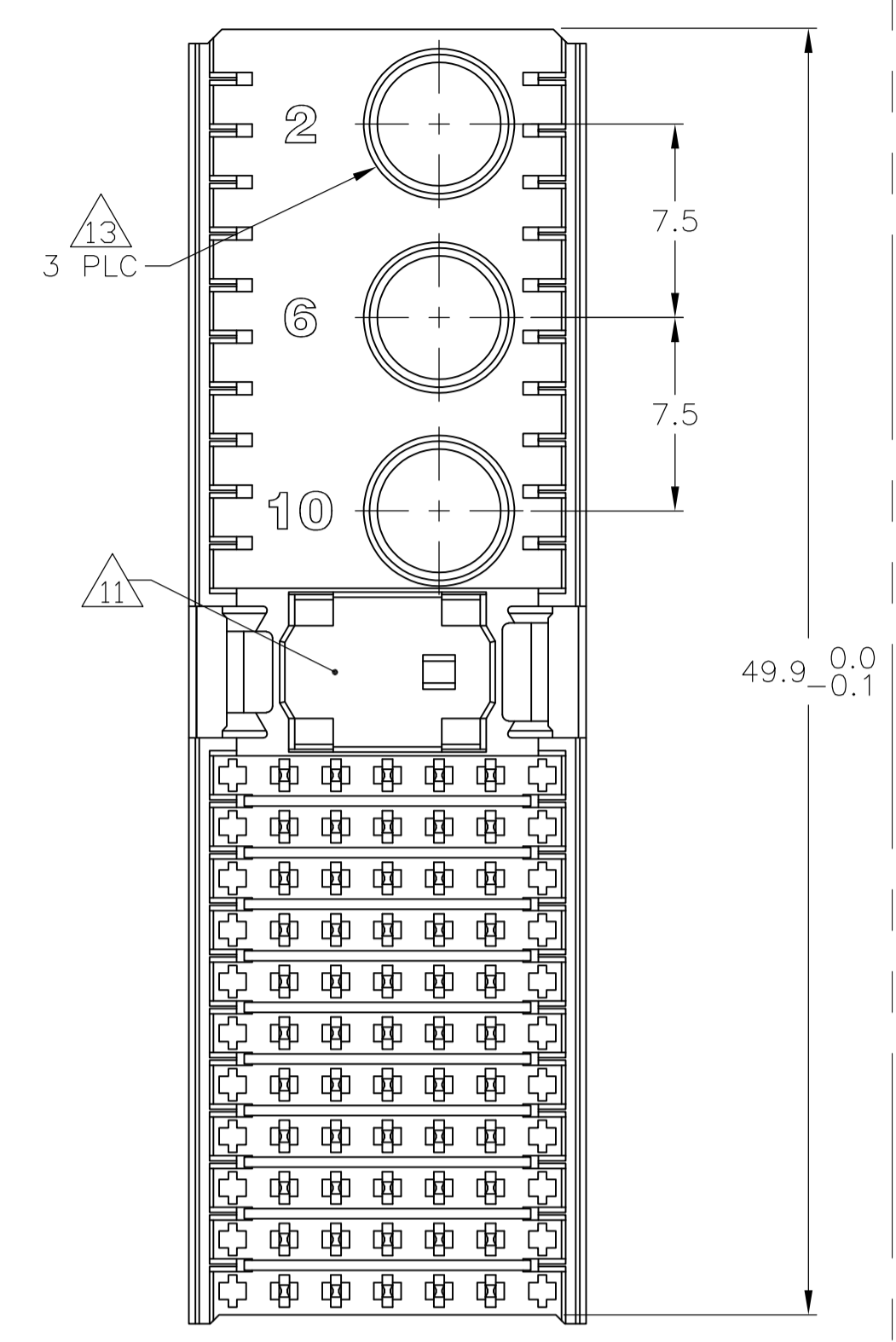
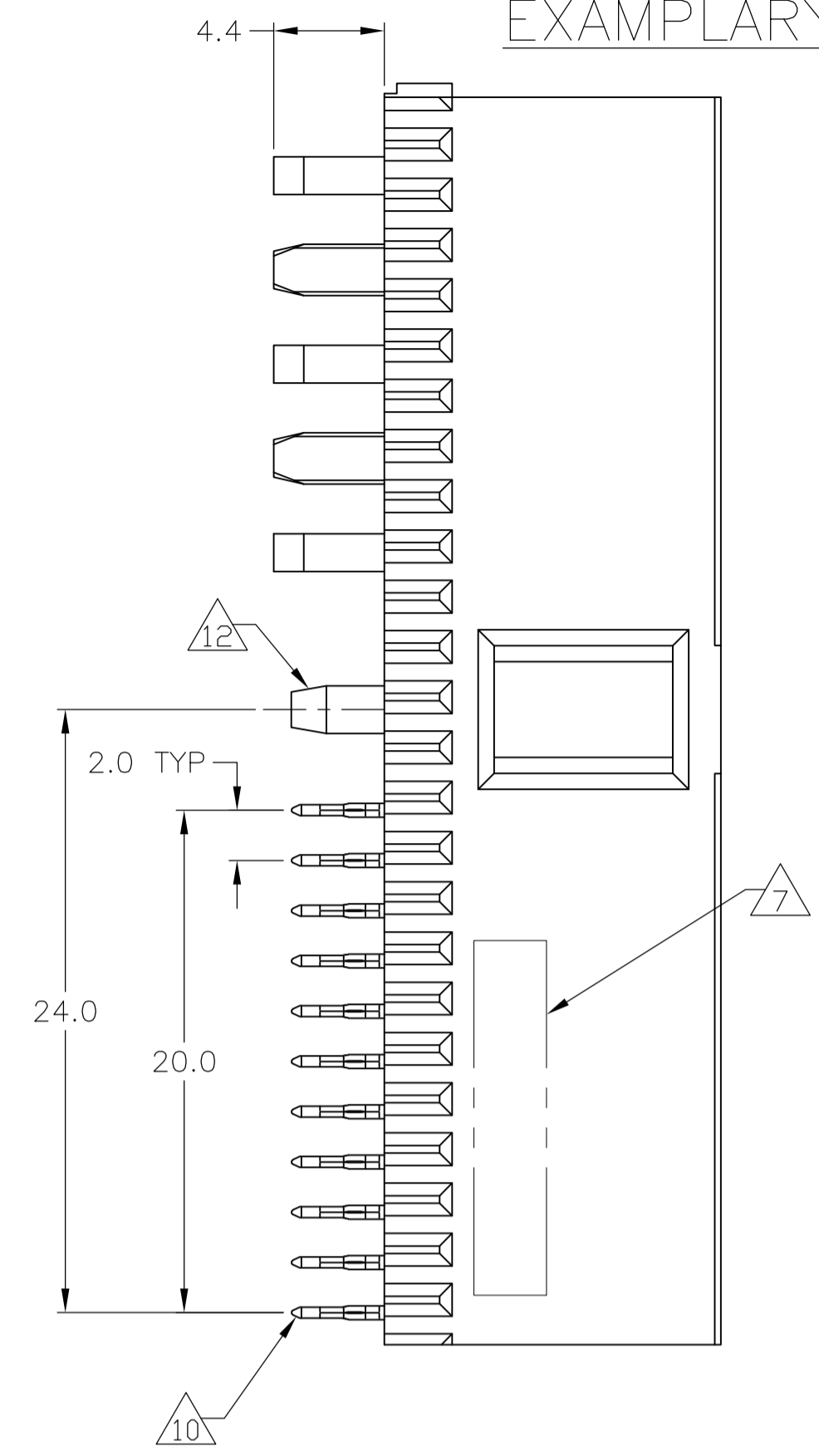
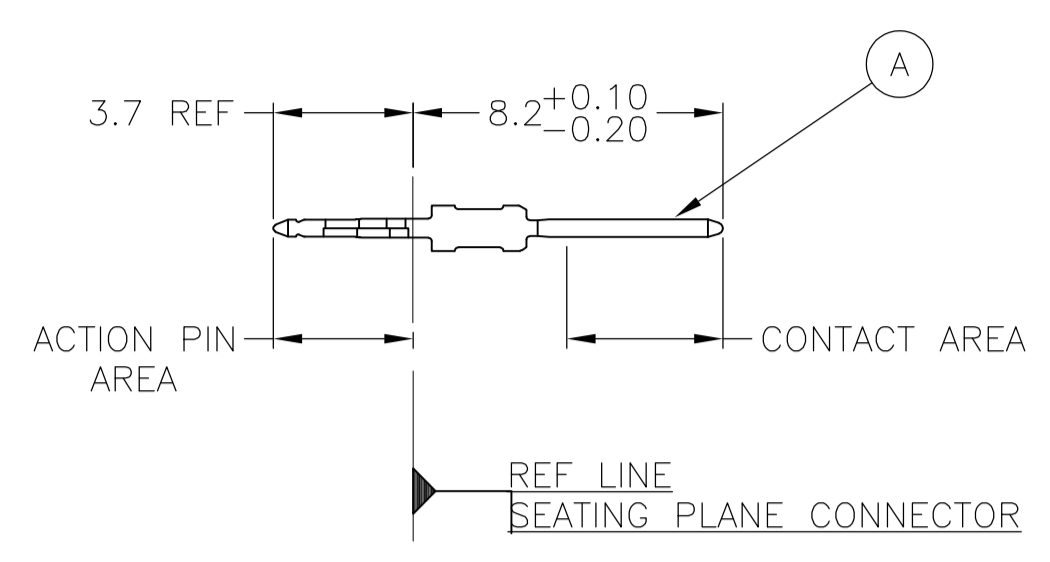


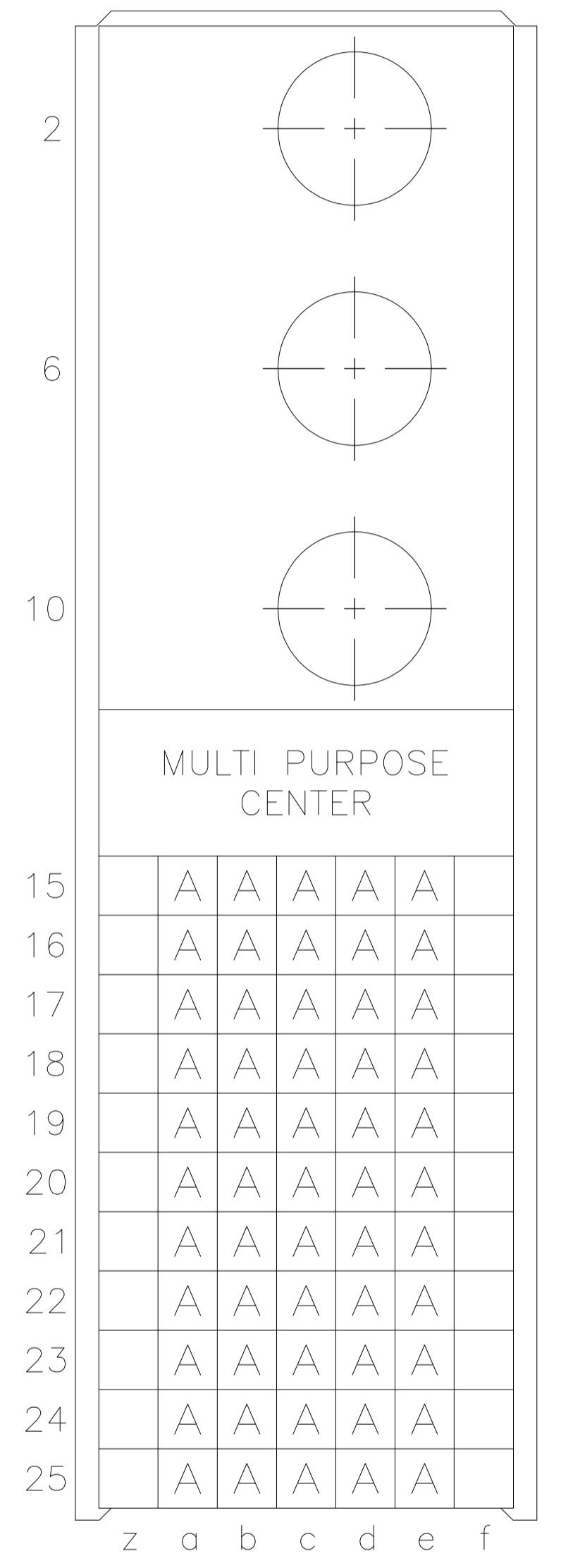
CONNECTOR ASSEMBLY EXAMPLARY LOADED



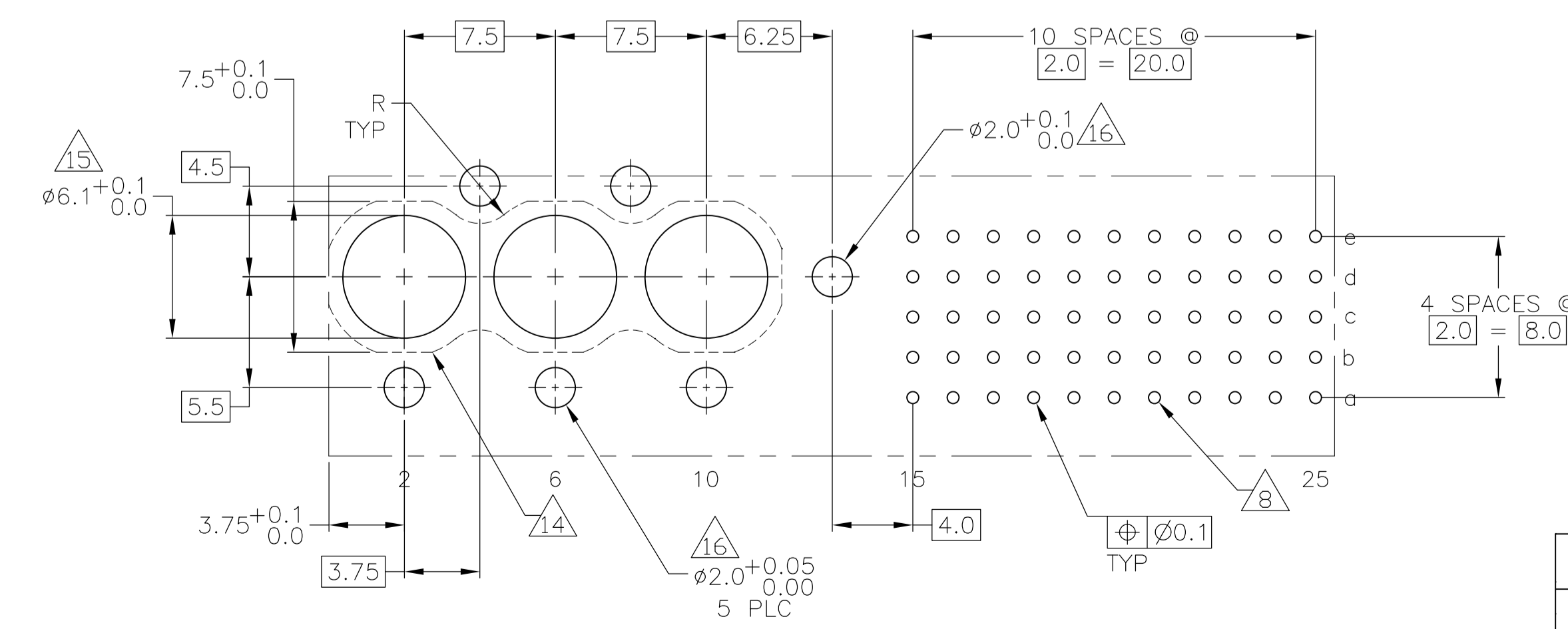
CONTACT DIMENSIONS SCALE 5:1



CONTACT LAYOUT



RECOMMENDED PCB-HOLE LAYOUT COMPONENT SIDE SHOWN



PLATED THRU HOLES PARAMETERS REFERENCE APPLICATION SPECIFICATION

LOC	DIST	REVISIONS			
F	LTR	DESCRIPTION	DATE	DMN	APVD
F2	REV PER	ECO-10-001916	02FEB2010	JY	SY
G	ECR-10-018652		10SEP10	SW	MQW
H	ECR-12-009853		6NOV12	SY	AC

THIS DRAWING IS A CONTROLLED DOCUMENT.


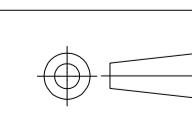
DIMENSIONS: mm	TOLERANCES UNLESS OTHERWISE SPECIFIED:	DIN B CARBO 24JAN05	GSKIPPER 24JAN05	Tyco Electronics Corporation Harrisburg, Pa 17105-3608
0-PLC ±	1-PLC ± 0.2	APVD GSKIPPER 24JAN05	NAME GSKIPPER	MALE ASSEMBLY, Z-PACK 2mm HM, TYPE M
2-PLC ± 0.02	3-PLC ± 0.005		PRODUCT SPEC 108-19082	SIZE 114-19029
4-PLC ± 0.005	ANGLES ± 0.30°		APPLICATION SPEC	RESTRICTED TO
MATERIAL 1	FINISH SEE TABLE	WEIGHT	A1 00779 C=100749	CUSTOMER DRAWING

SCALE 4:1 SHEET 1 OF 2 REV H

2	3	20	3-100749-0
2	6	18	1-100749-9
2	5	18	100749-9
2	4		100749-4
2	3		100749-1
FINISH			PART NUMBER

LOC		DIST		REVISIONS			
P	LTR	DESCRIPTION	DATE	DN	APVO		
AD	00	SEE SHEET 1	-	-	-		

- 1 MATERIAL:
CONTACT: PHOSPHOR BRONZE.
HOUSING: GLASS-FILLED POLYESTER.
- 2 GENERAL PLATING SPECIFICATION: UNDERPLATING
(ENTIRE CONTACT): 1.27µm MIN NICKEL AND ACTION
PIN: 0.5µm MIN TIN LEAD.
FOR PLATING OF MATING SURFACES SEE APPLICABLE
SPECIFICATION REFERENCE FOR EACH DASH NUMBER.
- 3 CONFORMS TO ALL TESTING ACCORDING TO IEC 61076-4-101
PERFORMANCE LEVEL 2.
- 4 CONFORMS TO ALL TESTING ACCORDING TO IEC 61076-4-101
PERFORMANCE LEVEL 1.
- 5 CONNECTOR TESTED AND QUALIFIED AGAINST TELCORDIA GR-1217-CORE QUALITY LEVEL 3,
CENTRAL OFFICE APPLICATIONS.
- 6 CONNECTOR TESTED AND QUALIFIED AGAINST TELCORDIA GR-1217-CORE QUALITY LEVEL 3,
UNCONTROLLED ENVIROMENT APPLICATIONS.
- 7 CONNECTOR MARKED WITH PART NUMBER AND DATE CODE.
ADDITIONAL CHARACTERS OR MARKINGS, AS WELL AS THE LOCATION
OF THE MARKINGS, MAY BE ADDED FOR TRACEABILITY BASED UPON
MANUFACTURERS DISCRETION.
- 8 PLATED-THROUGH HOLES AT 2x2mm SQUARE GRID
PATTERN DEFINED BY CONTACT LAYOUT.
- 9 FOR ACTUAL PIN LOADING SEE "CONTACT LAYOUT".
- 10 FOR ACTUAL PIN DIMENSIONS SEE "CONTACT DIMENSIONS".
- 11 AREA RESERVED FOR KEYING PART (BASIC P/N 100525).
- 12 POLARIZATION FEATURE.
- 13 CONTACT CAVITIES SUITABLE FOR Ø4.8 HIGH CURRENT, HIGH FREQUENCY OR
FIBRE OPTIC CONTACTS AS PER DIN 41626 (SEE ALSO NOTE 14 AND 15).
- 14 PATERN FOR FIBRE OPTIC CONTACTS.
- 15 NOT PLATED THROUGH HOLES, TO BE REPLACED BY Ø5.9^{+0.1}/_{0.0} PLATED THOUGH
HOLES IF STRAIGHT SOLDER CONTACTS ARE APPLIED.
- 16 NOT PLATED THROUGH HOLES.
- 17 TO BE MEASURED AT BOTTOM OF SHROUD.
- 18 CONNECTOR LUBRICATED WITH TELCORDIA APPROVED LUBRICANT,
TECHNICAL REFERENCE: TR-NWT-001217 ISSUE 1, SEP 1992.
- 19 OBSOLETE PARTS: OBSOLETE CIS STREAMLINING PER D.RENAUD/D.SINISI
- 20 0.76µm MIN GOLD PLATING AT MATING SURFACES.

THIS DRAWING IS A CONTROLLED DOCUMENT.		DIN B CARBO	24JAN05	 Tyco Electronics Corporation Harrisburg, Pa 17105-3608
		CHK G SKIPPER	24JAN05	
DIMENSIONS: mm		TOLERANCES UNLESS OTHERWISE SPECIFIED: 0-PLC ± 1-PLC ±0.2 2-PLC ±0.02 3-PLC ±0.005 4-PLC ± ANGLES ±0.30°		APVO G SKIPPER 24JAN05 NAME MALE ASSEMBLY, Z-PACK 2mm HM, TYPE M
		PRODUCT SPEC 108-19082 APPLICATION SPEC 114-19029		SIZE A1 CAGE CODE 00779 DRAWING NO 100749 RESTRICTED TO -
MATERIAL SEE SHEET 1	FINISH SEE SHEET 1	WEIGHT -	CUSTOMER DRAWING	SCALE 4:1 SHEET 2 OF 2 REV H