

THIS DRAWING IS UNPUBLISHED.

RELEASED FOR PUBLICATION

.1997

© COPYRIGHT 1997 BY -

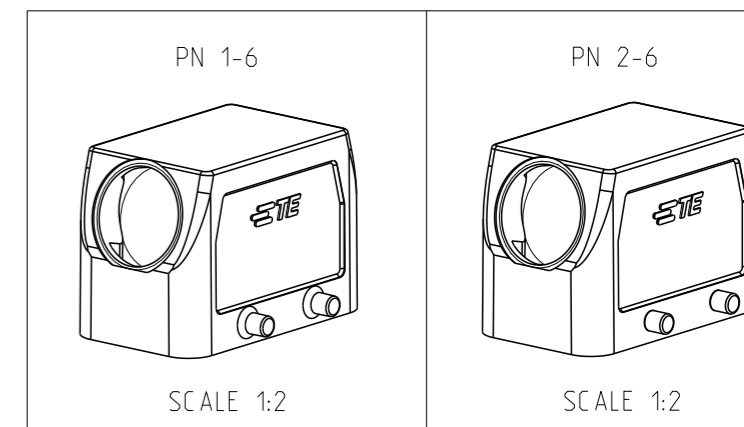
ALL RIGHTS RESERVED.

REVISIONS

| P | LTR | DESCRIPTION | DATE | DWN | APVD |
|---|-----|-------------------------------|-----------|-----|------|
| | A4 | Released as per ECR-07-030422 | 17.12.07 | SP | TS |
| | A5 | REVISED PER ECR-16-016768 | 19AUG2017 | AP | MKO |
| | | | | | |
| | | | | | |

NOTES.

- 1 Material:Housing:Aluminium Diecasting Alloy
- 2 Surface-Powder Varnish Grey
-Aluminium Oxide +
Varnish Black
- 3 Varnish on the inside not necessary
- 4 Packaging
Quantity 5 Pieces in a box



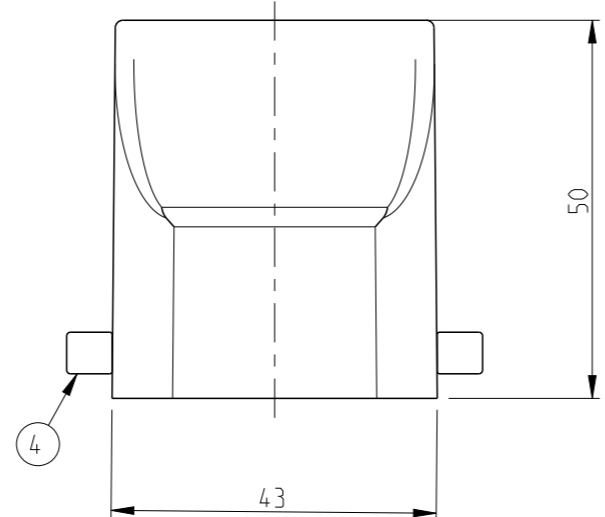
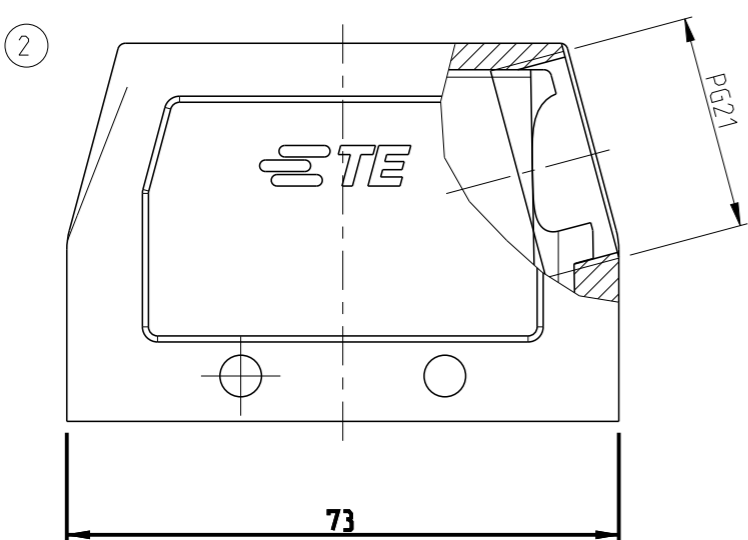
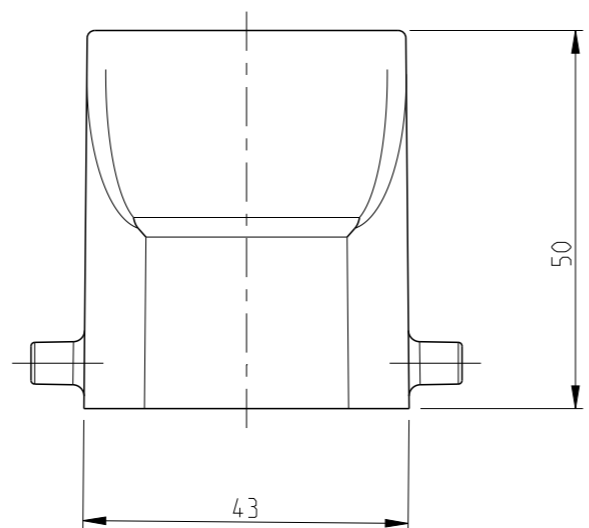
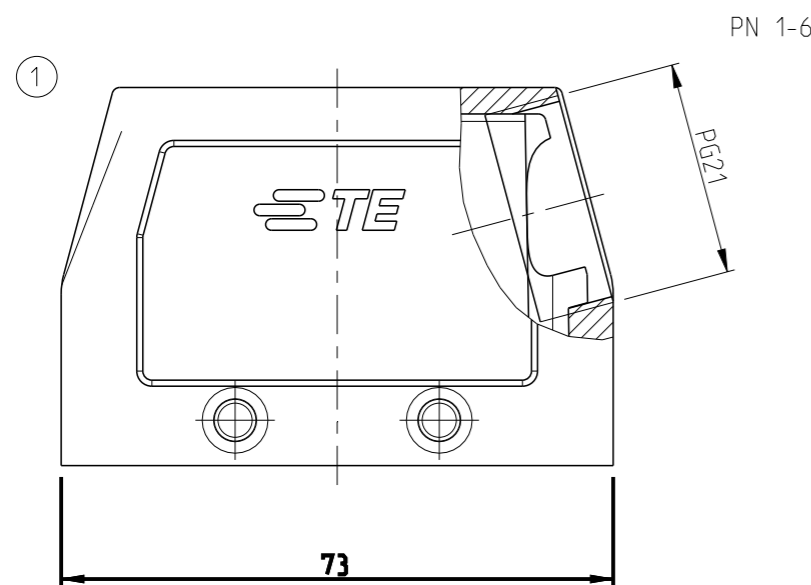
OBSOLETE

| ITEM NO | DESCRIPTION | MATERIAL | SURFACE | COLOR | ITEM NO | REMARKS |
|---------|--------------------|-----------------|-----------------|-------|---------|---------|
| 4 | VS-Clip bolt | Stainless steel | - | - | 3 | |
| 1 | Hood HB.10.PG.1.21 | Aluminium | Aluminium oxide | Black | 2 | |
| 1 | Hood HB.10.PG.1.21 | Aluminium | - | Grey | 1 | |

ORDERING TEXT

HB.10.STS.1.21.G


HB-K.10.STS.1.21.G



THIS DRAWING IS A CONTROLLED DOCUMENT.

| | |
|-------------|--|
| DIMENSIONS: | TOLERANCES UNLESS OTHERWISE SPECIFIED: |
| mm | 0 PLC ± |
| | 1 PLC ± |
| | 2 PLC ± |
| | 3 PLC ± |
| | 4 PLC ± |
| | ANGLES ± |
| MATERIAL | FINISH |
| - | - |
| - | - |

| | | |
|------------------|-----------|----------|
| DWN | Kramer | 11.05.98 |
| CHK | Braun | 10.11.98 |
| APVD | - | - |
| PRODUCT SPEC | 108-74003 | |
| APPLICATION SPEC | 114-74001 | |
| WEIGHT | - | |
| CUSTOMER DRAWING | | |

| | | | |
|---|-----------|----------------------------------|---------------|
|  | | TE Connectivity | |
| | | NAME Hood HB.10.STS.1.21.G | |
| SIZE | CAGE CODE | DRAWING NO | RESTRICTED TO |
| A3 | 00779 | ©=1102264 | |
| SCALE 1:1 | | SHEET 1 OF 1 | REV A5 |