

PREPARED BY : DATE	<h1>SHARP</h1> MOBILE LIQUID CRYSTAL DISPLAY GROUP SHARP CORPORATION SPECIFICATION	SPEC No. LD-22304A
APPROVED BY : DATE		FILE No.
		ISSUE : Mar. 12. 2010
		PAGE : 24 pages
		APPLICABLE GROUP MOBILE LIQUID CRYSTAL DISPLAY GROUP

DEVICE SPECIFICATION FOR
TFT-LCD Module
MODEL No.
LQ190E1LX51

These parts have corresponded with the RoHS directive.

CUSTOMER'S APPROVAL

DATE _____

BY _____

PRESENTED
BY *K. Shiono*

K. Shiono
DEPARTMENT GENERAL MANAGER
PC DISPLAY & LCD MONITOR BUSINESS
PLANNING & MARKETING PROJECT TEAM
MOBILE LIQUID CRYSTAL DISPLAY DIVISION II
MOBILE LIQUID CRYSTAL DISPLAY GROUP
SHARP CORPORATION

1. Application

This specification sheets applies to the color TFT-LCD module LQ190E1LX51.

These specification sheets are the proprietary product of SHARP CORPORATION ("SHARP") and include materials protected under copyright of SHARP. Do not reproduce or cause any third party to reproduce them in any form or by any means, electronic or mechanical, for any purpose, in whole or in part, without the express written permission of SHARP.

The application example published in this technical literature is used to explain a typical application example that uses the product of our company. It is not the one to permit the guarantee or the execution right to the execution of an industrial property and other right according to this technological material. Moreover, SHARP assumes no responsibility for any problem related to the third party and the industrial property, etc. occurring by having used the product of our company.

The device listed in these specification sheets was designed and manufactured for use in general electronic equipment.

In case of using the device for applications such as control and safety equipment for transportation (controls of aircraft, trains, automobiles, etc.), rescue and security equipment and various safety related equipment which require higher reliability and safety, take into consideration that appropriate measures such as fail-safe functions and redundant system design should be taken.

Do not use the device for equipment that requires an extreme level of reliability, such as aerospace applications, telecommunication equipment (trunk lines), nuclear power control equipment and medical or other equipment for life support.

SHARP assumes no responsibility for any damage resulting from the use of the device which does not comply with the instructions and the precautions specified in these technical literature .

Confirm "11. Handling Precautions " item when you use the device.

Contact and consult with a SHARP sales representative for any questions about this device.

2. Overview

This module is a color active matrix LCD module incorporating amorphous silicon TFT (Thin Film Transistor). It is composed of a color TFT-LCD panel, driver ICs, control circuit, power supply circuit and a back light unit. Graphics and texts can be displayed on a 1280×RGB×1024 dots panel with about 16,777,216 colors by using LVDS (Low Voltage Differential Signaling) and supplying +5.0V DC supply voltages for TFT-LCD panel driving and +12.0V supply voltage for LCD backlight.

It is a wide viewing-angle-module, high brightness(1000 cd/m²) and high speed response specification.

3. Mechanical Specifications

Parameter	Specifications	Unit
Display size	48 (19.0") Diagonal	cm
Active area	376.32 (H)×301.056 (V)	mm
Pixel format	1280 (H)×1024 (V)	Pixel
	(1 pixel=R+G+B dots)	
Aspect ratio	5:4	
Pixel pitch	0.294 (H)×0.294 (V)	mm
Pixel configuration	R, G, B vertical stripe	
Display mode	Normally black	
Unit outline dimensions *1	404.2(W)×330.0(H) ×34.0(D)TYP	mm
Mass	2,600 MAX	g
Surface treatment (Haze value)	Clear hardcoating coating :	

【Note 1】 The thickness of module (D) doesn't contain the projection.

Outline dimensions are shown in Fig.3.

4. Input Terminals

4-1. TFT-LCD panel driving

CN1 (Interface signals and +5.0V power supply)

- Using connectors : FI-X30SSL-HF (Japan Aviation Electronics Industry, Limited)
 Corresponding connectors : FI-X30M (FPC type) (Japan Aviation Electronics Industry, Limited)
 : FI-X30H (Wire type), FI-X30HL(Wire type with lock)
 : FI-X30C (Coaxial cable type), FI-X30C2L(Coaxial cable type with lock)
- Using LVDS receiver : Type contained in a control IC
 (DS90CF386 (NS Corporation) or equivalent)

Corresponding LVDS Transmitter : DS90CF383, C385 (NS Corporation) or equivalent

Pin No.	Symbol	Function	Remark
1	RxO0-	Receiver signal of LVDS (O0-)	LVDS
2	RxO0+	Receiver signal of LVDS (O0+)	LVDS
3	RxO1-	Receiver signal of LVDS (O1-)	LVDS
4	RxO1+	Receiver signal of LVDS (O1+)	LVDS
5	RxO2-	Receiver signal of LVDS (O2-)	LVDS
6	RxO2+	Receiver signal of LVDS (O2+)	LVDS
7	GND	GND	
8	RxOC-	Receiver signal of LVDS (OC-)	LVDS
9	RxOC+	Receiver signal of LVDS (OC+)	LVDS
10	RxO3-	Receiver signal of LVDS (O3-)	LVDS
11	RxO3+	Receiver signal of LVDS (O3+)	LVDS
12	RxE0-	Receiver signal of LVDS (E0-)	LVDS
13	RxE0+	Receiver signal of LVDS (E0+)	LVDS
14	GND	GND	
15	RxE1-	Receiver signal of LVDS (E1-)	LVDS
16	RxE1+	Receiver signal of LVDS (E1+)	LVDS
17	GND	GND	
18	RxE2-	Receiver signal of LVDS (E2-)	LVDS
19	RxE2+	Receiver signal of LVDS (E2+)	LVDS
20	RxEC-	Receiver signal of LVDS (EC-)	LVDS
21	RxEC+	Receiver signal of LVDS (EC+)	LVDS
22	RxE3-	Receiver signal of LVDS (E3-)	LVDS
23	RxE3+	Receiver signal of LVDS (E3+)	LVDS
24	GND	GND	
25	SEL LVDS	Selection of LVDS mapping	
26	N.C.		
27	N.C.		
28	Vcc	+5V power supply	
29	Vcc	+5V power supply	
30	Vcc	+5V power supply	

Note: There is a possibility that trouble occurs in initial and long-term reliability when using it besides corresponding connector.

4-2. Data Mapping

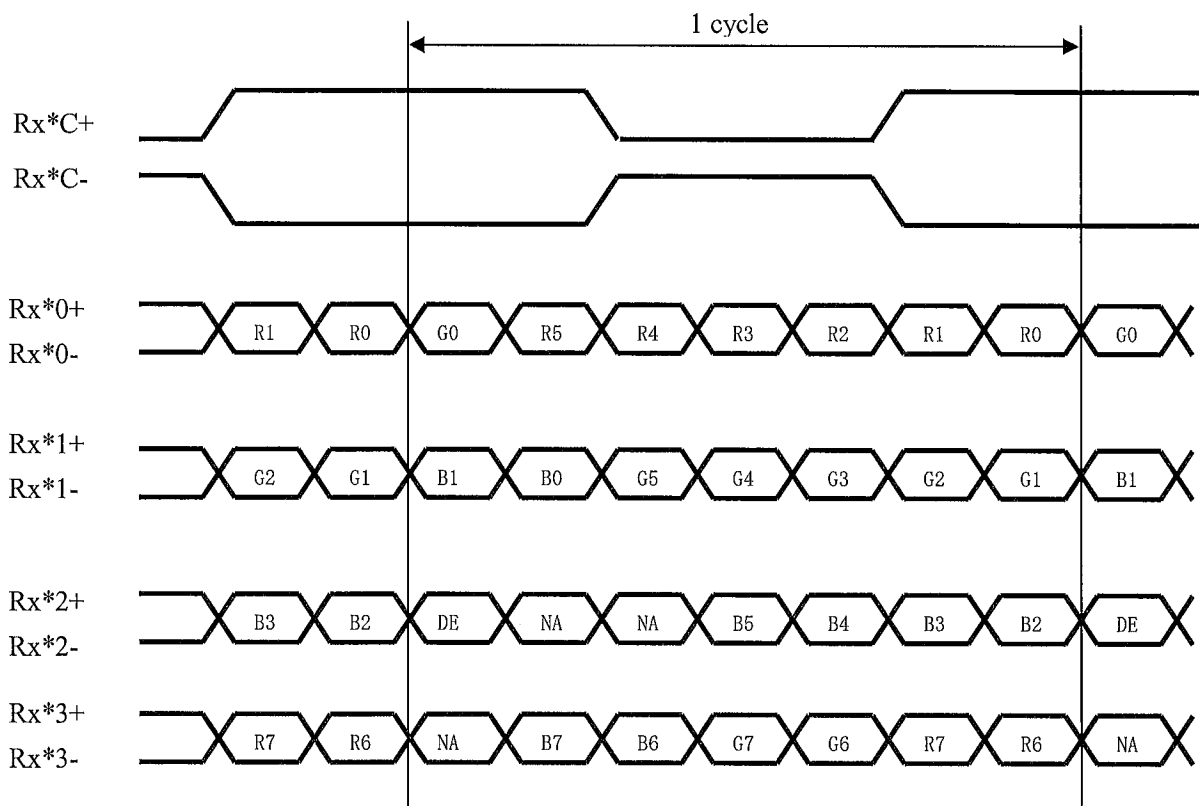
1) 8 bit input

【Note 1】 pin assignment with SELLVDS pin

Transmitter: DS90CF383, C385 (NS Corporation) or equivalent

Transmitter		25pin SELLVDS	
Pin No	Data	= H (3.3V)	= L (GND) or Open
51	TA0	R0 (LSB)	R2
52	TA1	R1	R3
54	TA2	R2	R4
55	TA3	R3	R5
56	TA4	R4	R6
3	TA5	R5	R7 (MSB)
4	TA6	G0 (LSB)	G2
6	TB0	G1	G3
7	TB1	G2	G4
11	TB2	G3	G5
12	TB3	G4	G6
14	TB4	G5	G7 (MSB)
15	TB5	B0 (LSB)	B2
19	TB6	B1	B3
20	TC0	B2	B4
22	TC1	B3	B5
23	TC2	B4	B6
24	TC3	B5	B7 (MSB)
27	TC4	(NA)	(NA)
28	TC5	(NA)	(NA)
30	TC6	DE	DE
50	TD0	R6	R0 (LSB)
2	TD1	R7 (MSB)	R1
8	TD2	G6	G0 (LSB)
10	TD3	G7 (MSB)	G1
16	TD4	B6	B0 (LSB)
18	TD5	B7 (MSB)	B1
25	TD6	(NA)	(NA)

< SELLVDS = H >

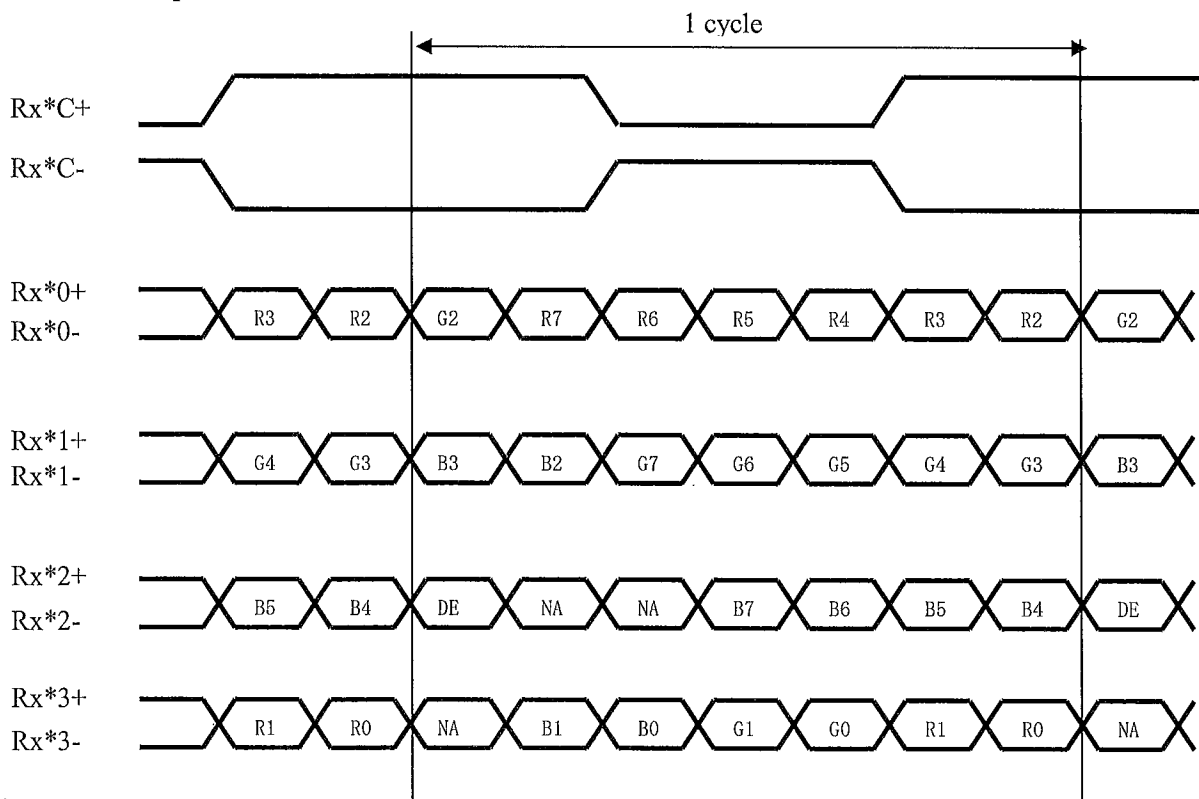


* : O or E

DE : Display Enable

NA : Not Available

< SELLVDS=L or Open >



* : O or E

DE : Display Enable

NA : Not Available

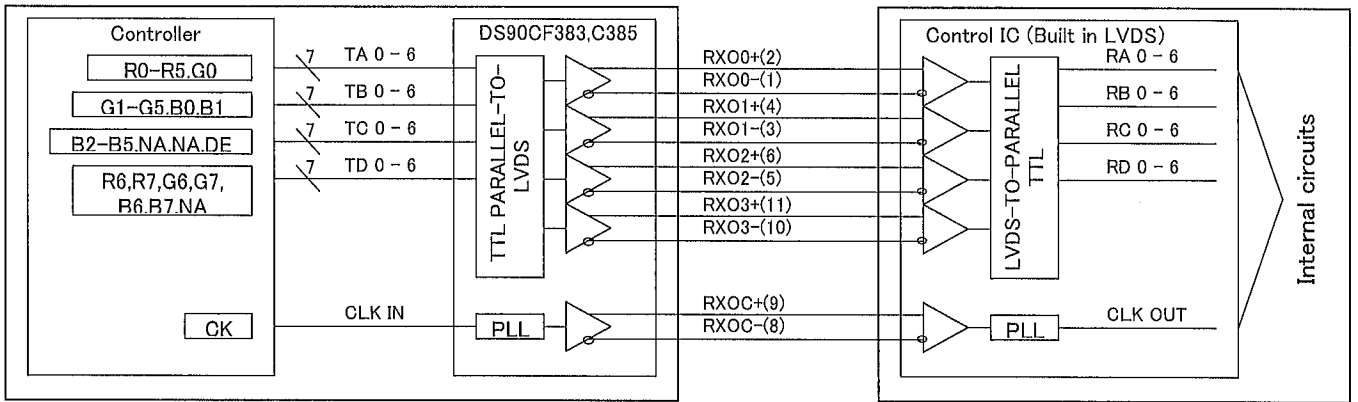
LVDS Interface block diagram

(Computer Side)

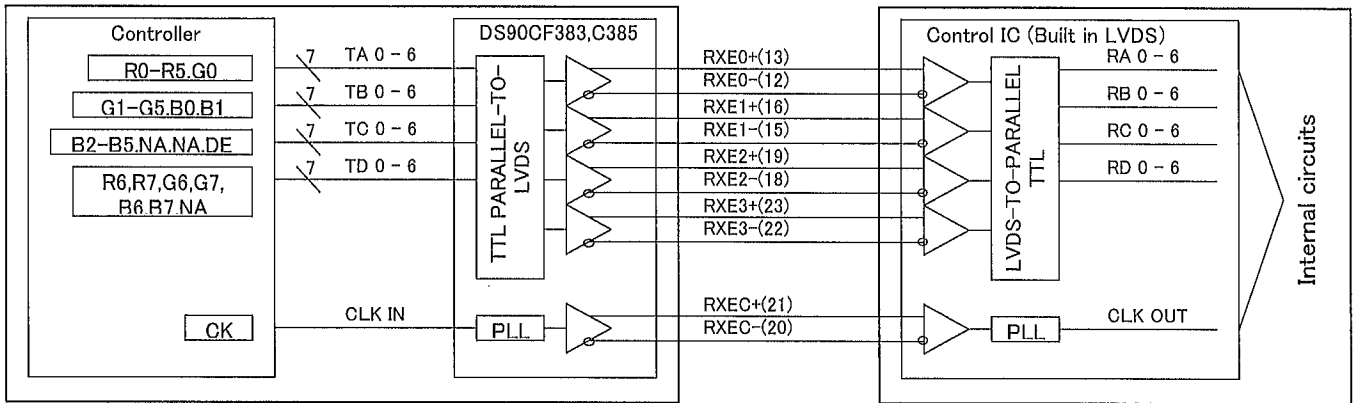
(TFT-LCD side)

①SELLVDS=H (25 pin=3.3[V])

ODD DATA

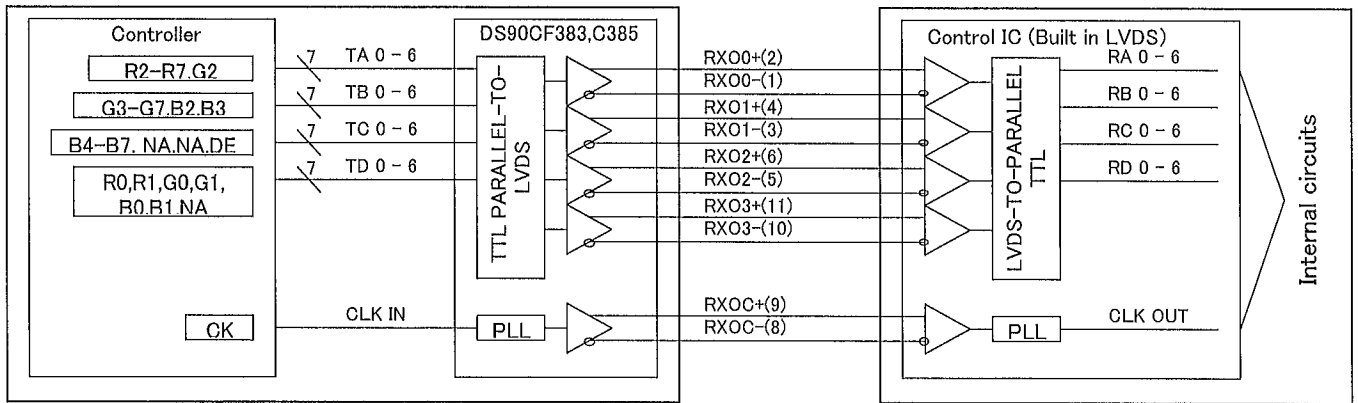


EVEN DATA

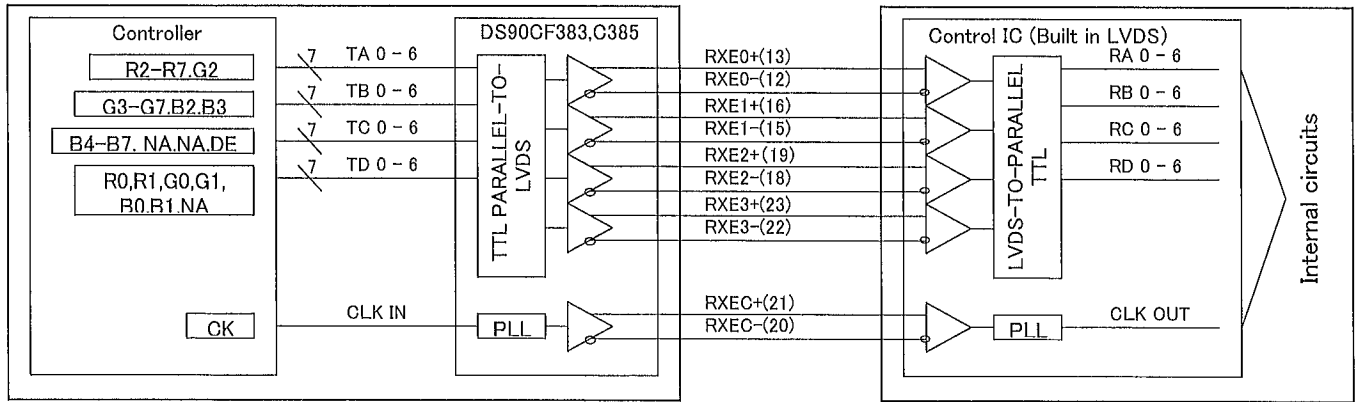


②SELLVDS=L (25 pin=GND or OPEN)

ODD DATA



EVEN DATA



* NA: Not Available

Figure 1

4-3. Backlight

CN2 (Dimmer signal and +12.0V power supply)

Using connector : S12B-PH-SM4-TB (JST)

Corresponding connector: PHR-12 (JST)

AWG#24 is recommended to the electric wire.

CN2

Pin No	Symbol	Function	Remark
1	V _{LED}	+12V power supply	
2	V _{LED}	+12V power supply	
3	V _{LED}	+12V power supply	
4	V _{LED}	+12V power supply	
5	V _{LED}	+12V power supply	
6	GND	GND	
7	GND	GND	
8	GND	GND	
9	GND	GND	
10	GND	GND	
11	N.C	Not connected	
12	PWM	Light control signal	

Note: There is a possibility that trouble occurs in initial and long-term reliability when using it besides corresponding connector.

4-4. Fan speed detection

CN3 (ARM signal that represents fan speed)

Using connector : 53261-1019 (MOLEX)

Corresponding connector: 51021-1000 (MOLEX)

Using fan :109P0612H754 (SANYODENKI)

CN3

Pin No	Symbol	Function	Remark
1	GND	GND	
2	N.C	N.C	
3	N.C	N.C	
4	N.C	N.C	
5	N.C	N.C	
6	N.C	N.C	
7	N.C	N.C	
8	ARM	Pulse waveform output of fan speed	
9	GND	GND	
10	N.C	N.C	

Note: There is a possibility that trouble occurs in initial and long-term reliability when using it besides corresponding connector.

5. Absolute Maximum Ratings

5-1. Module

Parameter	Symbol	Condition	Terminal Symbol	Ratings	Unit	Remark
Supply voltage	V _{CC}	Ta=25°C	V _{CC}	-0.3 ~ +6.0	V	【Note1】
Input voltage	V _{I1}	Ta=25°C	LVDS input signal	-0.3 ~ +3.6	V	
	V _{I2}	Ta=25°C	SELLVDS	-0.3 ~ +3.6	V	
LED supply voltage	V _{LED}	Ta=25°C	V _{LED}	15.0	V	
Dimmer voltage	V _{PWM}	Ta=25°C	PWM	6.0	V	
Dimmer signal Duty ratio	Duty	Ta=25°C	PWM	0~100	%	
ARM pullup voltage	V _{AWM}	Ta=25°C	ARM	30	V	
Storage temperature	T _{STG}	Ambient	—	-20 ~+ 60	°C	【Note1】
Operating temperature	T _{OPA}	Panel surface (Active Area)	—	0~+ 60	°C	【Note1】

【Note1】 Humidity : 90%RH Max. (Ta≤40°C) Please take careful of static electricity.

Maximum wet-bulb temperature at 39°C or less. (Ta>40°C)

No condensation.

6. Electrical Characteristics

6-1. TFT-LCD panel driving

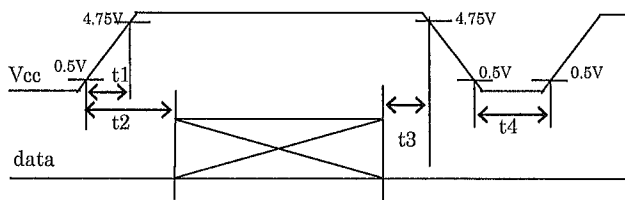
Ta=+25°C

Parameter		Symbol	Min.	Typ.	Max.	Unit	Remark
Supply voltage		V _{CC}	+4.75	+5.0	+5.25	V	【Note3】
Current dissipation	V _{CC} =5.0V	I _{CC}	—	950.	1650.	mA	【Note4】
Input voltage for LVDS	LVDS signal	V _L	0	—	2.4	V	
Permissive input ripple voltage		V _{RP}	—	—	100	mVp-p	V _{CC} =+5.0V
Differential input threshold voltage	High	V _{TH}	—	—	V _{CM} +100	mV	V _{CM} =+1.2V
	Low	V _{TL}	V _{CM} -100	—	—	mV	【Note1】
Input voltage	High	V _{IH}	2.2	—	3.3	V	【Note2】
	Low	V _{IL}	0	—	0.8	V	
Input current	High	I _{OH}	—	—	400	μA	V _{I2} =+3.3V 【Note2】
	Low	I _{OL}	-10	—	+10	μA	V _{I2} =0V 【Note2】
Terminal resistor		R _T	—	100	—	Ω	Differential input

【Note1】 V_{CM} : Common mode voltage of LVDS driver.

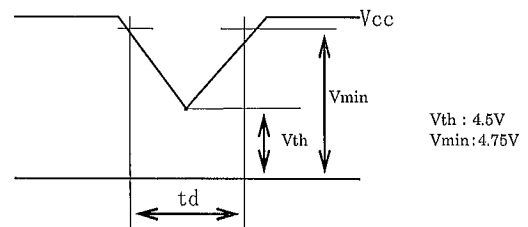
【Note2】 SELLVDS

【Note3】 On-off condition for supply voltage



$0 < t1 \leq 20ms$ $0 < t2 \leq 40ms$
 $0 < t3 \leq 40ms$ $0.5s \leq t4$

Vcc-dip conditions

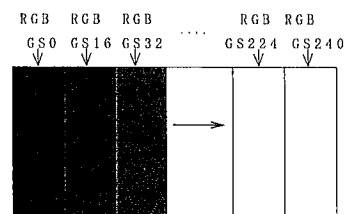


1) $V_{th} \leq V_{cc} < V_{min}$
 $t_d \leq 20ms$

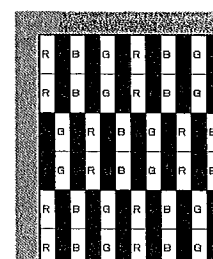
2) $V_{cc} < V_{th}$

Vcc-dip conditions should also follow the on-off conditions for supply voltage.

【Note4】 Current dissipation
 Standard value: 16-gray-bar pattern
 (Measurement condition V_{CC}=+5.0V, 1/Tc=54MHz, Ta=25°C)
 Refer to Chapter 8 for RGB each gray scale



Maximum value: vertical 2 dot checker
 (White part: 255/256 gray scale, Black part: 255/256 gray scale)
 (Measurement condition V_{CC}=+4.75V, 1/Tc=70MHz, Ta=25°C)



6-2. LED Backlight driving

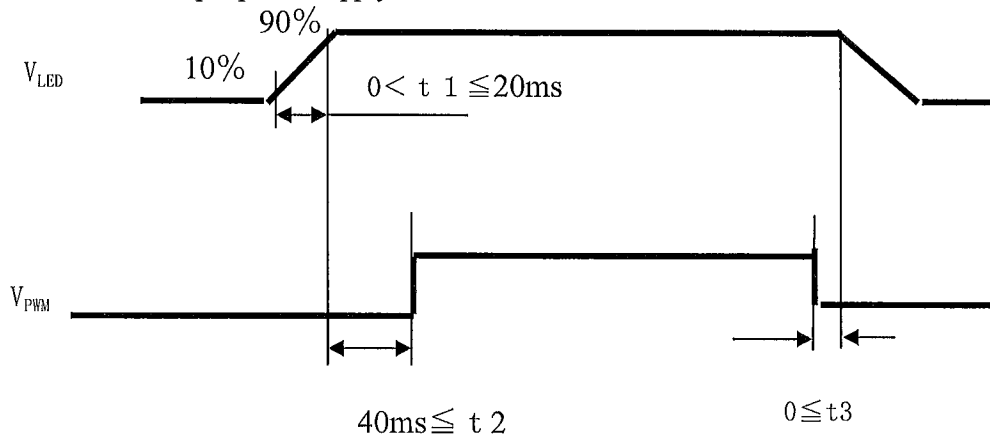
Parameter	Condition	Symbol	Min.	Typ.	Max.	Unit	Remark
Power supply voltage		V_{LED}	+11.4	+12.0	+12.6	V	
Power supply current	$V_{LED}=12.0V$	I_{LED}	-	5.8	6.25	A	
Dimmer signal frequency		F_{PWM}	100	-	200	Hz	
Dimmer signal Duty ratio		Duty	0	-	99.99	%	
Dimmer signal pulse width		T_{PWMH}	150	-	-	ns	
Dimmer signal (High)		V_{PWMH}	1.5	5.0	+5.5	V	
Dimmer signal (Low)		V_{PWL}	-0.3	-	+0.5	V	
LED Life Time	$T_a=25^{\circ}C$	L_L	-	50,000	-	h	【Note1】

【Note1】 The reference LED life time is 50,000h defined by below.

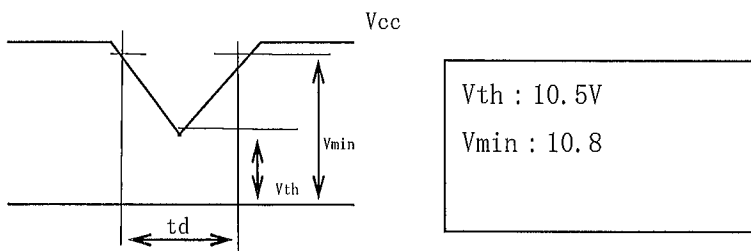
(Continuous turning on at LED ambient temperature (T_a) $25^{\circ}C$, Max. Brightness, A state only for LED)

When a brightness of LED surface became 50% of the specifications minimum.

On-off condition for input power supply



V_{LED} -dip conditions



$$1) V_{th} \leq V_{cc} < V_{min}$$

$$t_d \leq 20ms$$

$$2) V_{cc} < V_{th}$$

V_{LED} -dip conditions should also follow the on-off conditions for supply voltage.

6-3 ARM Signal

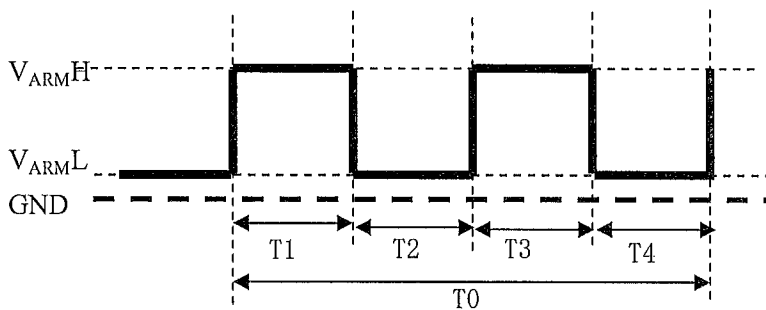
Since ARM terminal output is open drain, Please pull up ARM terminal to V_{ARM}

Item	Symbol	Condition	Min.	Typ.	Max.	Unit	Remark
Pulled-up voltage	V_{ARM}	$T_a=25^\circ\text{C}$	3.3	-	V_{LED}	V	
Input current	I_{ARM}	$T_a=25^\circ\text{C}$	-	-	10	mA	$V_{ARM}<0.4\text{V}$
Pulse OFF voltage	V_{ARML}	$T_a=25^\circ\text{C}$	GND	-	0.4	V	
ARM signal pulse width	T_0	$T_a=25^\circ\text{C}$	13.044	14.634	16.666	ms	$V_{LED}=12\text{V}$ 【Note1,2】
Fan Speed	N	$T_a=25^\circ\text{C}$	3,600	4,100	4,600	min^{-1}	$V_{LED}=12\text{V}$ 【Note1,2】

【Note1】 It needs 10 sec till the fan speed is stable.

【Note2】 These values are initial value when shipping off the module.

6-3-1 ARM pulse waveform under normal operation.



$$T_1=T_2=T_3=T_4= 1/4 \times T_0$$

$$1/4 \times T_0 = 60/4N \text{ (s)}$$

$$N:\text{fan speed}(\text{min}^{-1})$$

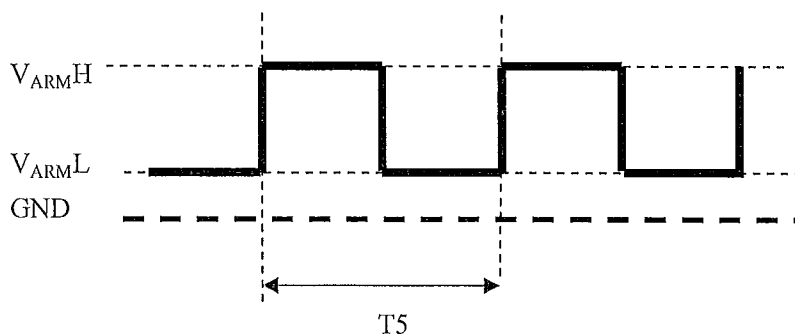
6-3-2 ARM pulse waveform under abnormal operation. (Fan is locked)

Output waveform is (1) or (2).

$$(1) V_{ARM} = V_{ARMH}$$



$$(2) 1\text{s} \leq T_5 \leq 5\text{s}$$



7. Timing characteristics of input signals

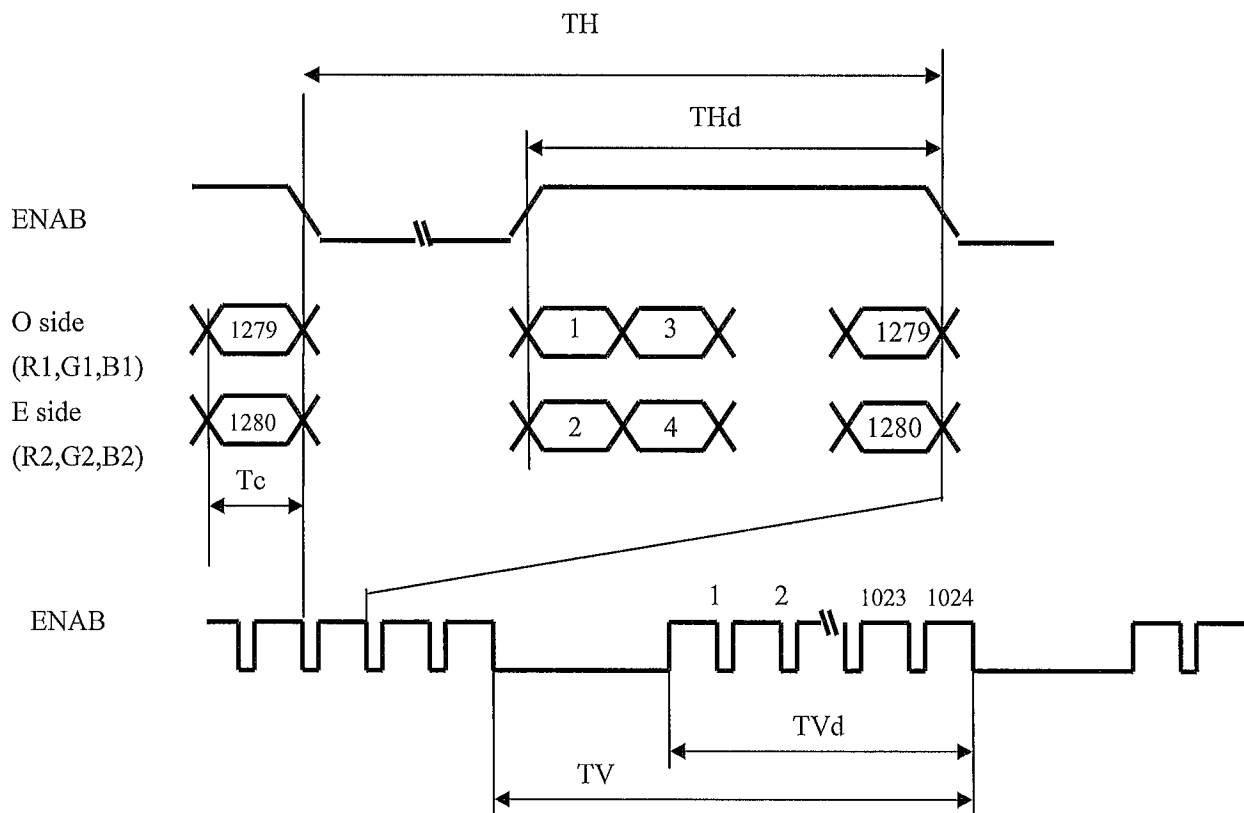
7-1. Timing characteristics

	Parameter	Symbol	Min.	Typ.	Max.	Unit	Remark
Clock signal	Frequency	1/Tc	40	54	70	MHz	
ENAB signal	Horizontal period	TH	670	844	929	clock	【Note2】
			12.3	15.6	-	μs	
	Horizontal period (High)	THd	640	640	640	clock	
	Vertical period	TV	1031	1066	2043	line	【Note1】
			13.1	16.7	20.5	ms	【Note2】
Vertical period (High)	TVd	1024	1024	1024	line		

【Note1】 In case of using the long vertical period, the deterioration of display quality, flicker etc. may occur.

【Note2】 The horizontal display position is determined by ENAB signal and the input data corresponding to the rising edge of DCLK is displayed at the left end of the active area.

Regarding the vertical display position, the data starting from following ENAB rising is displayed at the top of the active area in case of no rising ENAB more than 2003clk from ENAB rising.



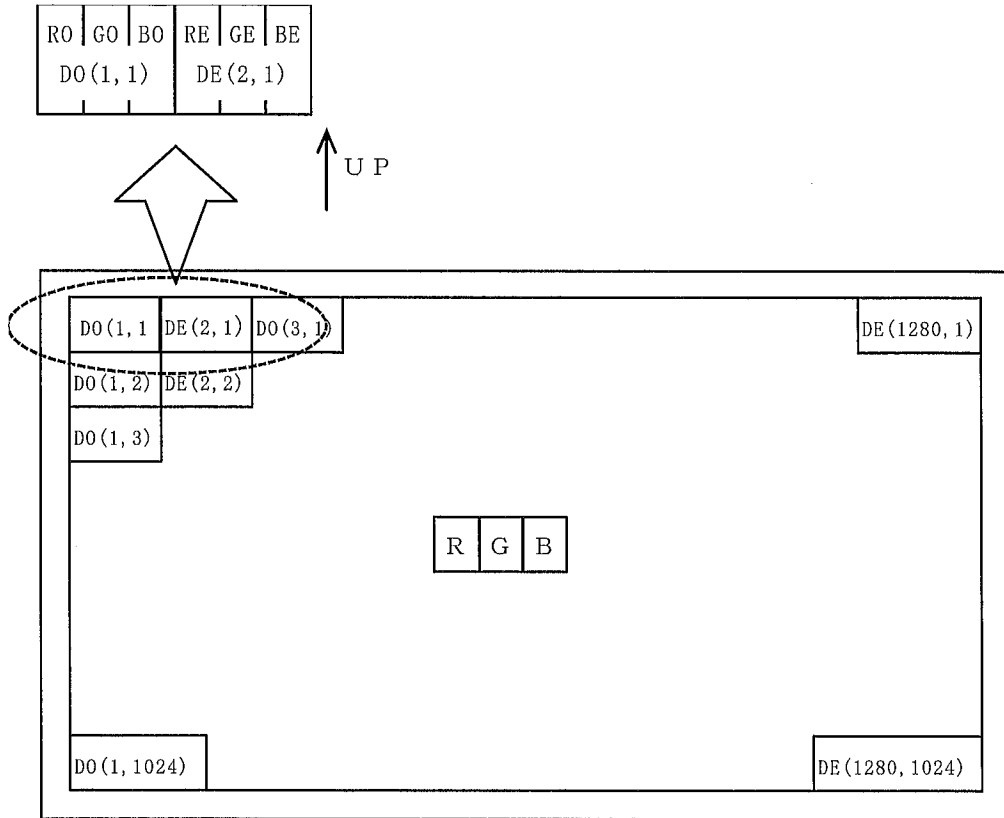
7-2. Input Data Signals and Display Position on the screen

Display position of input data (H, V)

Two pixels data is sampled at the same time.

※ DO (odd 1 data): RO0~RO7, GO0~GO7, BO0~BO7

※ DE (even 1 data): RE0~RE7, GE0~GE7, BE0~BE7



8. Input Signals, Basic Display Colors and Gray Scale of Each Color

8-1. 8bit input

	Colors & Gray scale	Gray Scale	Data signal																							
			R0	R1	R2	R3	R4	R5	R6	R7	G0	G1	G2	G3	G4	G5	G6	G7	B0	B1	B2	B3	B4	B5	B6	B7
Basic Color	Black	—	0	0	0	0	0	0	0	0	0	0	0	0	0	0	0	0	0	0	0	0	0	0	0	
	Blue	—	0	0	0	0	0	0	0	0	0	0	0	0	0	0	0	0	1	1	1	1	1	1	1	1
	Green	—	0	0	0	0	0	0	0	0	1	1	1	1	1	1	1	1	0	0	0	0	0	0	0	0
	Cyan	—	0	0	0	0	0	0	0	0	1	1	1	1	1	1	1	1	1	1	1	1	1	1	1	1
	Red	—	1	1	1	1	1	1	1	1	0	0	0	0	0	0	0	0	0	0	0	0	0	0	0	0
	Magenta	—	1	1	1	1	1	1	1	1	0	0	0	0	0	0	0	0	1	1	1	1	1	1	1	1
	Yellow	—	1	1	1	1	1	1	1	1	1	1	1	1	1	1	1	1	0	0	0	0	0	0	0	0
	White	—	1	1	1	1	1	1	1	1	1	1	1	1	1	1	1	1	1	1	1	1	1	1	1	1
Gray Scale of Red	Black	0	0	0	0	0	0	0	0	0	0	0	0	0	0	0	0	0	0	0	0	0	0	0	0	
	↑	1	1	0	0	0	0	0	0	0	0	0	0	0	0	0	0	0	0	0	0	0	0	0	0	
	Darker	2	0	1	0	0	0	0	0	0	0	0	0	0	0	0	0	0	0	0	0	0	0	0	0	
	↑	↓					↓							↓									↓			
	↓	↓					↓							↓									↓			
	Brighter	253	1	0	1	1	1	1	1	1	0	0	0	0	0	0	0	0	0	0	0	0	0	0	0	
	↓	254	0	1	1	1	1	1	1	1	0	0	0	0	0	0	0	0	0	0	0	0	0	0	0	
	Red	255	1	1	1	1	1	1	1	1	0	0	0	0	0	0	0	0	0	0	0	0	0	0	0	0
Gray Scale of Green	Black	0	0	0	0	0	0	0	0	0	0	0	0	0	0	0	0	0	0	0	0	0	0	0	0	
	↑	1	0	0	0	0	0	0	0	0	1	0	0	0	0	0	0	0	0	0	0	0	0	0	0	
	Darker	2	0	0	0	0	0	0	0	0	0	1	0	0	0	0	0	0	0	0	0	0	0	0	0	
	↑	↓					↓							↓									↓			
	↓	↓					↓							↓									↓			
	Brighter	253	0	0	0	0	0	0	0	0	1	0	1	1	1	1	1	1	0	0	0	0	0	0	0	
	↓	254	0	0	0	0	0	0	0	0	0	1	1	1	1	1	1	1	0	0	0	0	0	0	0	
	Green	255	0	0	0	0	0	0	0	0	1	1	1	1	1	1	1	1	0	0	0	0	0	0	0	0
Gray Scale of Blue	Black	0	0	0	0	0	0	0	0	0	0	0	0	0	0	0	0	0	0	0	0	0	0	0	0	
	↑	1	0	0	0	0	0	0	0	0	0	0	0	0	0	0	0	0	1	0	0	0	0	0	0	
	Darker	2	0	0	0	0	0	0	0	0	0	0	0	0	0	0	0	0	0	1	0	0	0	0	0	
	↑	↓					↓							↓									↓			
	↓	↓					↓							↓									↓			
	Brighter	253	0	0	0	0	0	0	0	0	0	0	0	0	0	0	0	0	1	0	1	1	1	1	1	
	↓	254	0	0	0	0	0	0	0	0	0	0	0	0	0	0	0	0	0	1	1	1	1	1	1	
	Blue	255	0	0	0	0	0	0	0	0	0	0	0	0	0	0	0	0	1	1	1	1	1	1	1	1

0 : Low level voltage, 1 : High level voltage.

Each basic color can be displayed in 256 gray scales of red, 256 gray scales of green, and 256 gray scales of blue from 8 bit data signals. According to the combination of total 24 bit data signals, 16,777,216 color display can be achieved on the screen.

9. Optical Characteristics

Ta=25°C, Vcc =+5.0V V_{LED}=+12.0V DUTY99.99%

Parameter		Symbol	Condition	Min.	Typ.	Max.	Unit	Remark
Viewing angle range	Horizontal	021,022	CR > 10	85	—	—	Deg.	
	Vertical	011,012		85	—	—	Deg.	
	All direction	θ		—	80	—	Deg.	
Contrast ratio		CRn	Optimum viewing angle	400	900	—		【Note2,4】
Response Time (Black→White→Black)		τr+τd	θ=0°	—	12	—	ms	【Note3,4,5】
Response Time Rise or decay (Gray scale)		τavg		—	8	—	ms	Average response time
Chromaticity of White	x	0.263		0.313	0.363	【Note4】		
	y	0.285		0.335	0.385			
Chromaticity of Red	x	—		0.633	—			
	y	—		0.350	—			
Chromaticity of Green	x	—		0.332	—			
	y	—		0.621	—			
Chromaticity of Blue	x	—		0.149	—			
	y	—		0.083	—			
Luminance of white		YL1	700	1000	—	cd/m ²	【Note4】	
White Uniformity		Δ _w	—	—	1.43		【Note5】	

※The measurement shall be executed 30 minutes after lighting at rating.

The optical characteristics shall be measured in a dark room or equivalent state with the method shown in Fig.2 below.

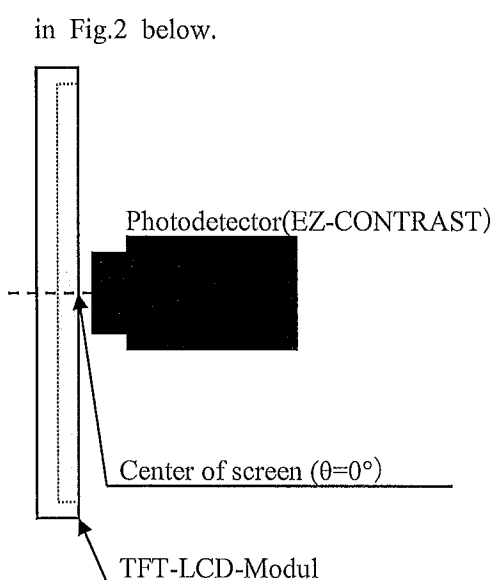


Fig2-1 Viewing angle measurement method

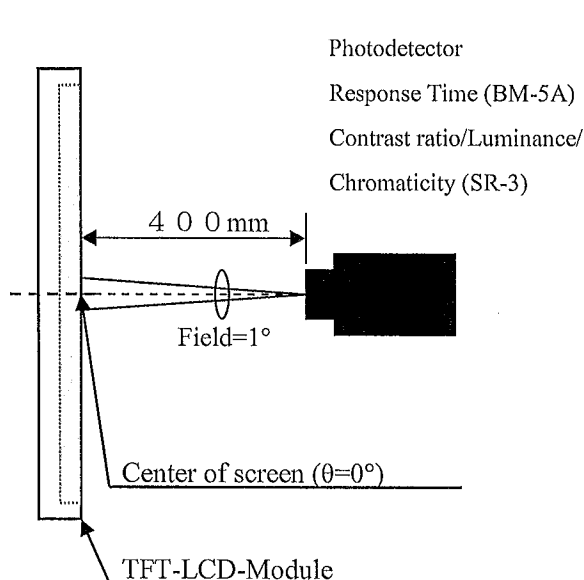
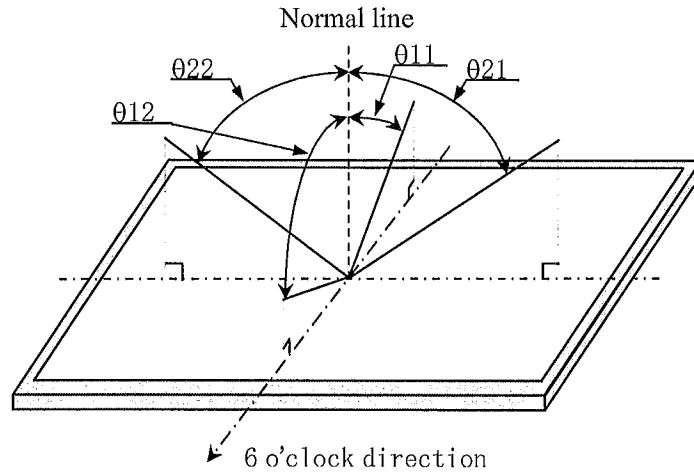


Fig2-2 Luminance/Contrast ratio/Response time/Chromaticity measurement method

【Note1】 Definitions of viewing angle range:



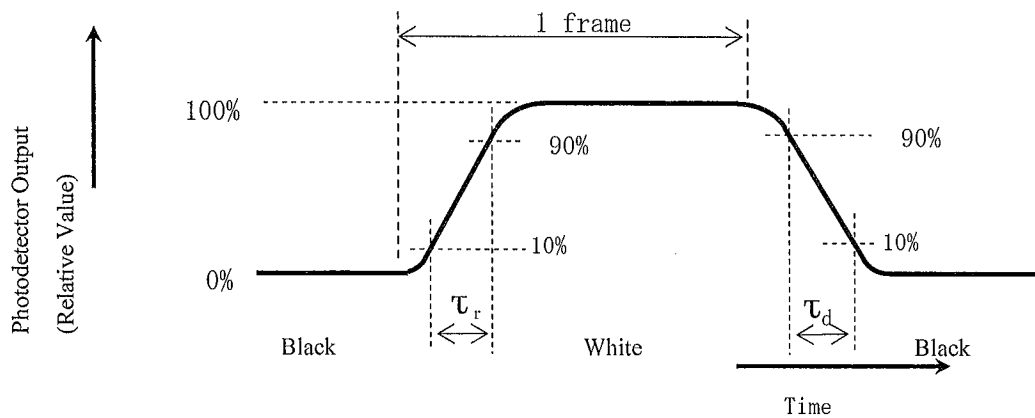
【Note2】 Definition of contrast ratio:

The contrast ratio is defined as the following.

$$\text{Contrast Ratio (CR)} = \frac{\text{Luminance (brightness) with all pixels white}}{\text{Luminance (brightness) with all pixels black}}$$

【Note3】 Definition of response time:

The response time is defined as the following figure and shall be measured by switching the input signal for "black" and "white".

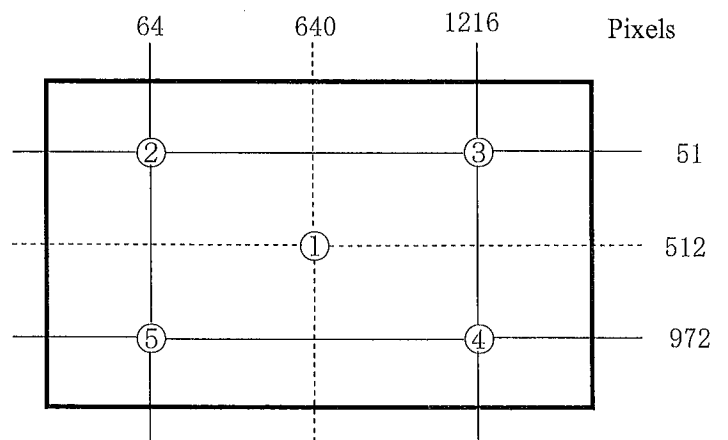


【Note4】 This shall be measured at center of the screen.

【Note5】 Definition of white uniformity:

White uniformity is defined as the following with five measurements (①~⑤).

$$\delta W = \frac{\text{Maximum luminance ①~⑤}}{\text{Minimum luminance ①~⑤}}$$



10. Display dignity

The item concerning externals and the display dignity is decided by the shipment inspection standard book.

11. Handling Precautions

- a) Be sure to turn off the power supply when inserting or disconnecting the cable.
- b) Be sure to design the cabinet so that the module can be installed without any extra stress such as warp or twist.
- c) Since the front polarizer is easily damaged, pay attention not to scratch it.
Blow away dust on the polarizer with antistatic N2 blow. It is undesirable to wipe off because a polarizer is sensitive.
It is recommended to peel off softly using the adhesive tape when soil or finger oil is stuck to the polarizer.
When unavoidable, wipe off carefully with a cloth for wiping lenses.
- d) Wipe off water drop immediately. Long contact with water may cause discoloration or spots.
- e) When the panel surface is soiled, wipe it with absorbent cotton or other soft cloth.
- f) Since the panel is made of glass, it may break or crack if dropped or bumped on hard surface.
Handle with care.
- g) Since CMOS LSI is used in this module, take care of static electricity and set the human earth when handling. Observe all other precautionary requirements in handling components.
- h) Since there is a circuit board in the module back, stress is not added at the time of a design assembly.
If stress is added, there is a possibility that circuit parts may be damaged.
- i) Protection film is attached to the module surface to prevent it from being scratched.
Peel the film off slowly, just before the use, with strict attention to electrostatic charges.
Blow off 'dust' on the polarizer by using ionized nitrogen.
- j) In case of attaching protective board over the LCD, be careful about the optical interface fringe etc. which degrades display quality.
- k) Do not expose the LCD panel to direct sunlight.
Lightproof shade etc. should be attached when LCD panel is used under such environment.
If a light strong against a LCD panel is irradiated, it may lead to degradation of the panel characteristic and display grace may get worse.
- l) Connect GND to 4 place of mounting holes to stabilize against EMI and external noise.
- m) When handling LCD modules and assembling them into cabinets, please be noted that long-term storage in the environment of oxidization or deoxidization gas, and the use of such materials as reagent, solvent, adhesive, resin, etc. which generate these gasses, may cause corrosion, discoloration, degradation of display grace, and abnormalities of operation.
- n) Please consider dewy consideration prevention when using it in high temperature and high humidity environment.
- o) When install LCD modules in the cabinet, please tighten with "torque = max 0.343 N·m (max 3.5kgf·cm).
Be sure to confirm it in the same condition as it is installed in your instrument.
- p) Liquid crystal contained in the panel may leak if the LCD is broken. Rinse it as soon as possible if it gets inside your eye or mouth by mistake.
- q) Notice : Never dismantle the module , because it will cause failure.
Moreover, please do not peel off and do not cut the tapes pasted to the product.
However, the tape fixed panel protection film (yellow tape) is excluded.
- r) Be careful when using it for long time with fixed pattern display as it may cause afterimage.
(Please use a screen saver etc., in order to avoid an afterimage.)
- s) Adjusting volume has been set optimally before shipment, so do not change any adjusted value.
If adjusted value is changed, the specification may not be satisfied.
- t) If a minute particle enters in the module and adheres to an optical material, it may cause display non-uniformity issue, etc. Therefore, fine-pitch filters have to be installed to cooling and inhalation hole if you intend to install a fan.
- u) Epoxy resin (amine series curing agent), silicone adhesive material (dealcoholization series and oxime series), tray forming agent (azo compound) etc, in the cabinet or the packing materials may induce abnormal display with polarizer film deterioration regardless of contact or noncontact to polarizer film.
Be sure to confirm the component of them.
- v) When detecting the fan lock signal from ARM terminal, please dim the backlight or shutdown the LED power supply to keep the operating temperature not to exceed the maximum rating value.
- w) Don't insert a finger into the fan that under working.
- x) Be sure to don't add the stress to the fan at the time of a design assembly.

12. Packing form

A	Piling number of cartons	5 (MAX)
B	Packing quantity in one carton	5pcs
C	Carton size [mm]	493(W) ×417(H) 293(D)
D	Total mass of one carton filled with full modules	14,000 g MAX
E	Product countries / Areas	JAPAN

Packing form is shown at Fig.4.

13. Reliability test items

No	Test item	Conditions	Remark
1	High temperature storage test	Ta = +60°C 240h	
2	Low temperature storage test	Ta = -20°C 240h	
3	High temperature & high humidity operation test	Ta = +40°C ; 90%RH 240h (No condensation)	
4	High temperature operation test	Ta = +60°C (Panel surface) 240h	
5	Low temperature operation test	Ta = 0°C 240h	
6	Vibration test	Waveform : Sine wave Frequency : 10~57Hz/Vibration width (one side) : 0.15mm : 57~500Hz/Gravity : 19.6m/s ² Sweep time : 11minutes Test period : 3 hours (1 hour for each direction of X,Y,Z)	【Note】
7	Shock test	Max. gravity : 294m/s ² Pulse width : 11ms, sine half-wave Direction : ±X, ±Y, ±Z, once for each direction.	
8	Electrostatic discharge test	Contact discharge (150pF 330Ω): non-operation=±10kV, operation=±8kV Aerial discharge (150pF 330Ω): non-operation=±20kV, operation=±15kV	

【Note】

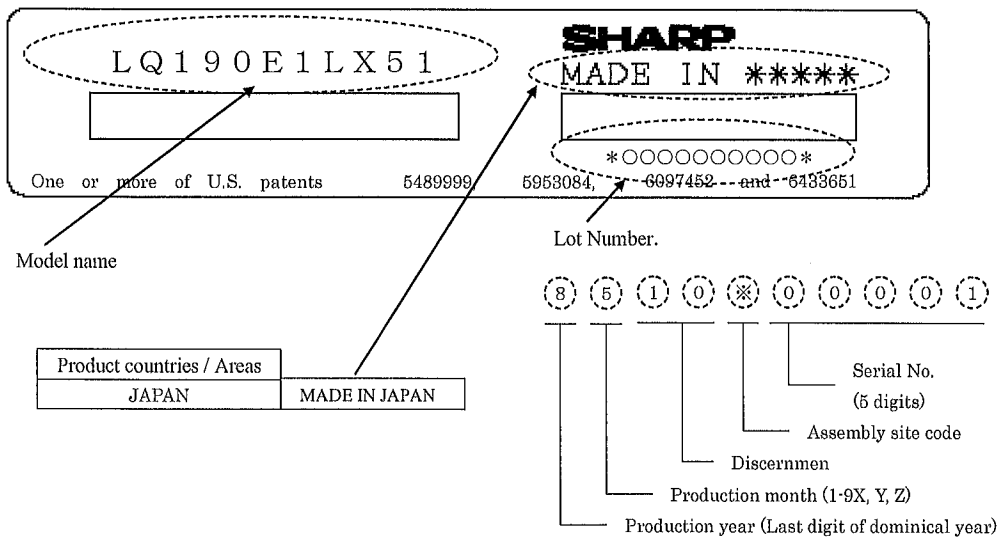
A gap of panel shall not occur by vibration or the shock.

【Result Evaluation Criteria】

Under the display quality test conditions with normal operation state, these shall be no change which may affect practical display function.

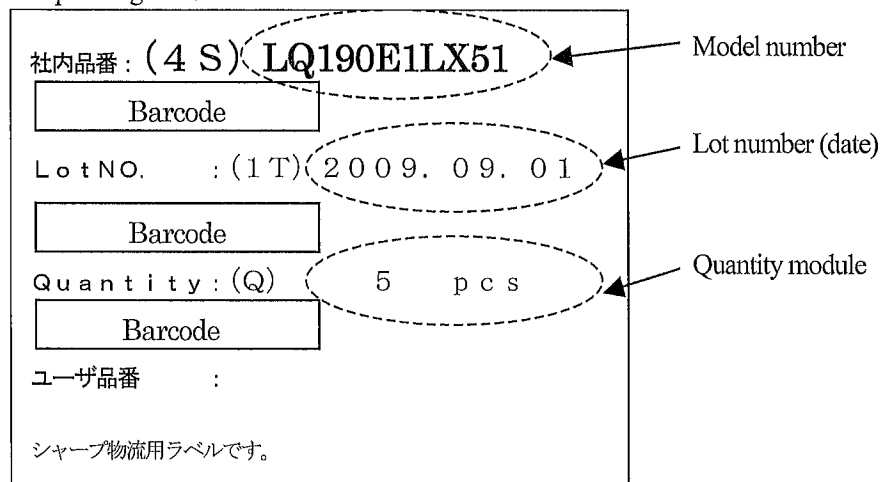
14. Others

14-1. Lot No. Label



14-2. Packing box Label

①Model number, ②Lot number (data), ③Quantity module and bar code display also applies to this in display section of packing box.



14-3. The chemical ozone depleting substance is not used.

14-4. If any problem occurs in relation to the description of this specification, it shall be resolved through discussion with spirit of cooperation.

The figure left below (cardboard box recycling symbol mark) is written to the packing box..

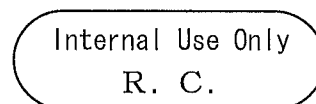
And, the figure right below is written to the packing box of the settlement for the RoHS restriction.

※ R.C. (RoHS Compliance) means it suits the RoHS directive.

This LCD module is compliant with RoHS Directive.



Cardboard box •
Recycling symbol mark



Mark for RoHS directive

15. Range of storage temperature and humidity environmental condition

Temperature 0~40°C

Relative humidity 90% and below

(Note) • Please manage as average value of the storage temperature and humidity environment referring to the following condition.

Summer 20~35°C 85% and below, Winter 5~15°C 85% and below

- Please manage within 240 hours in total at the time kept under the environment of 40°C90%RH.

Direct sunlight

Please keep it in the state of wrapping or the darkroom so that direct sunshine should not strike directly into the product.

Ambient atmosphere

Please do not keep it in the place with the danger of the generation of the causticity gas and the volatile solvent.

Dewy condensation prevention

- Please do not put the wrapping box directly on the floor, and keep it on palette or rack to avoid dewy condensation.

Moreover, please put it in a constant direction correctly to improve ventilation under the palette.

- Please separate from the wall in the storage warehouse and keep it.
- Please pay attention that ventilation is improved, and set up the ventilator etc. in the warehouse.
- Please manage so that there is no rapid temperature change more than natural environment.

Storage period

Please keep within one year under the above-mentioned storage condition.

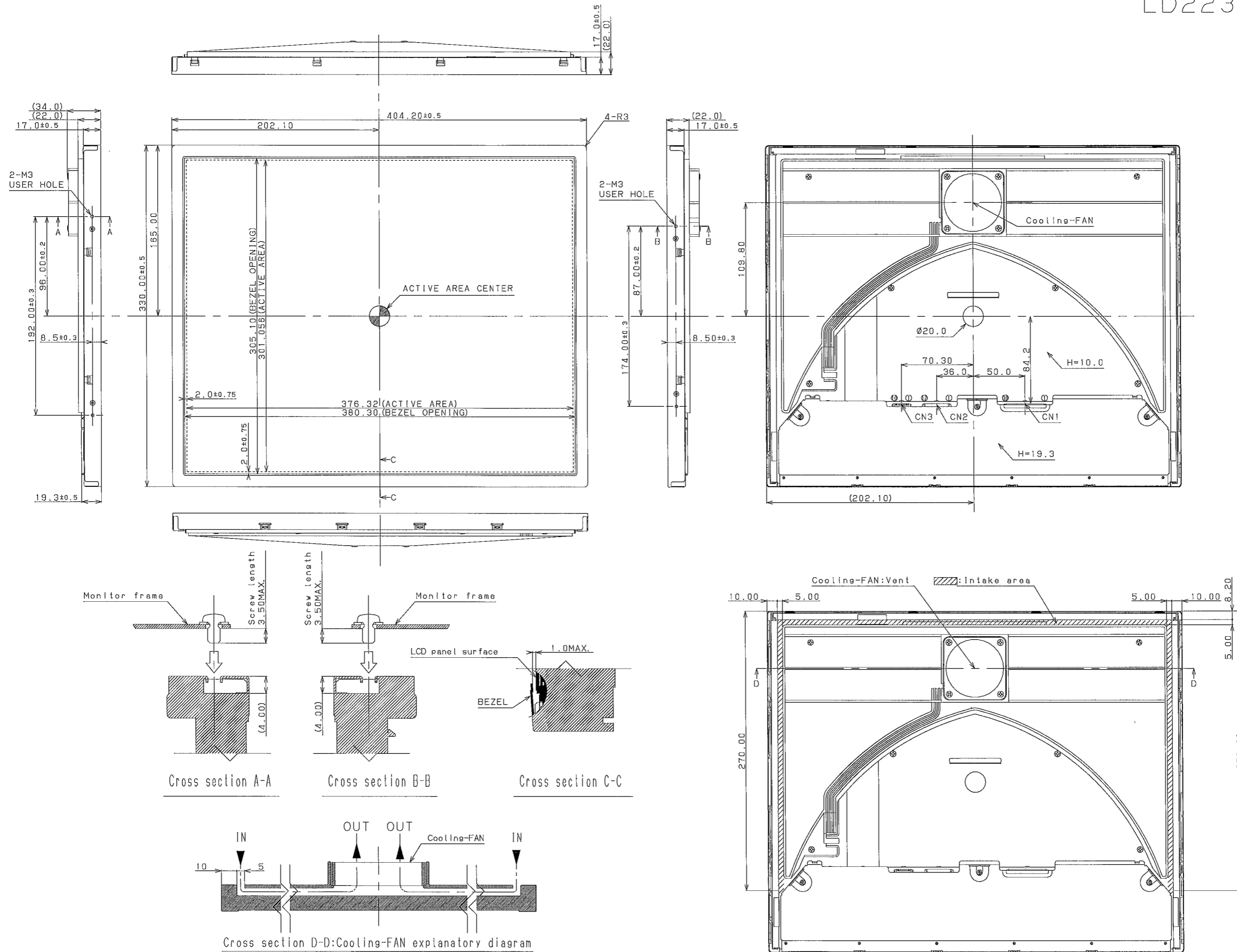


Fig.3:OUT LINE DIMENSIONS (LQ190E1LX51)

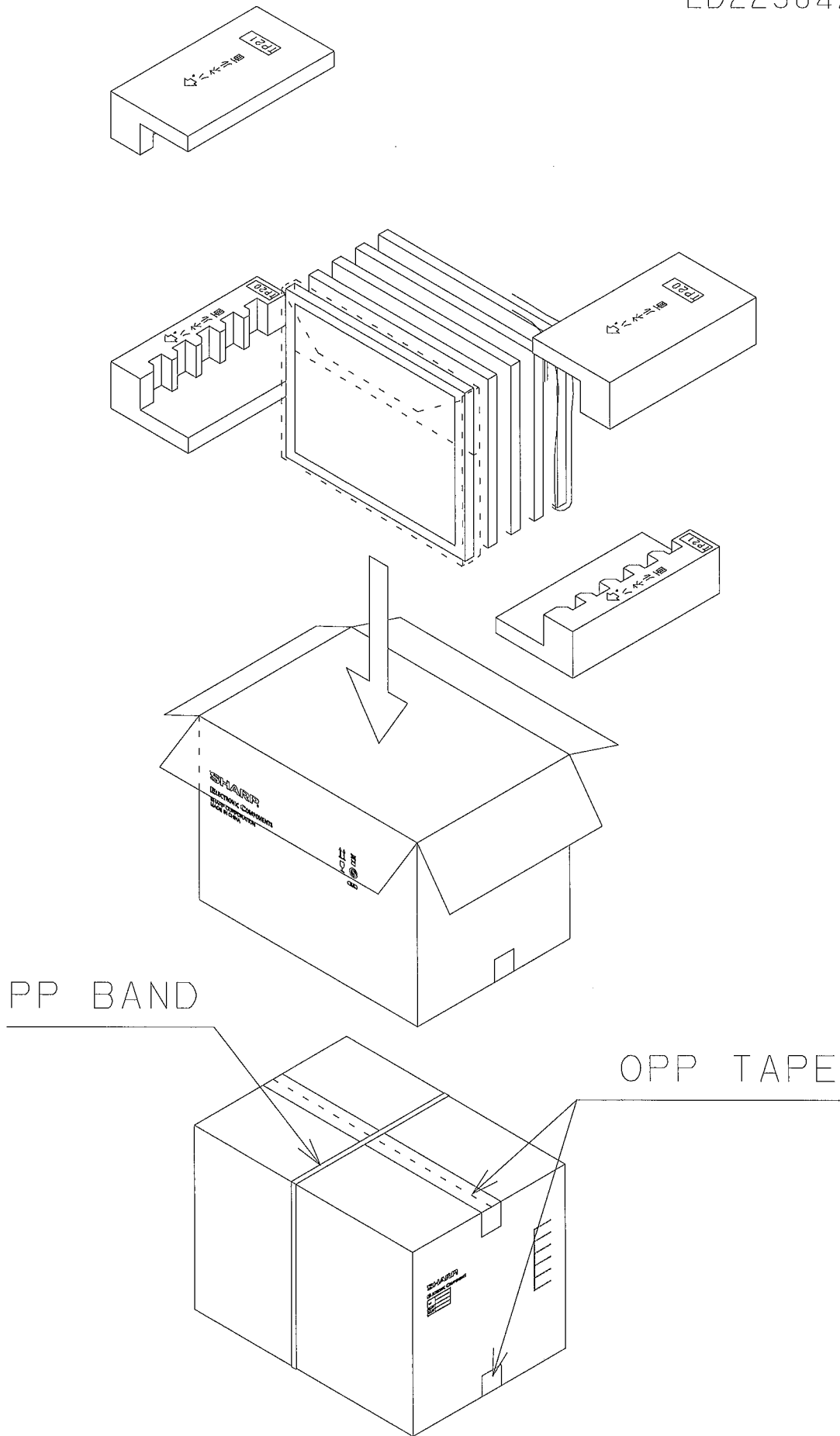


Fig.4:Packing form (LQ190E1LX51)