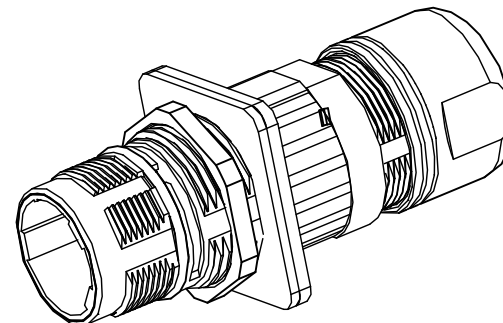
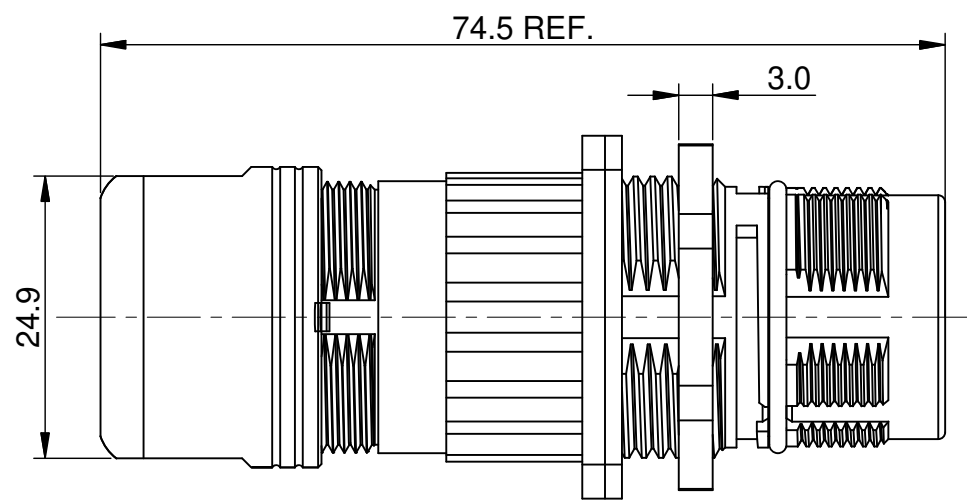


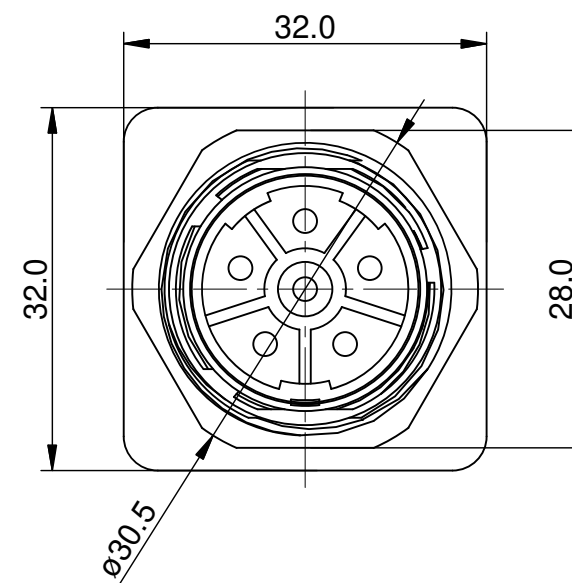
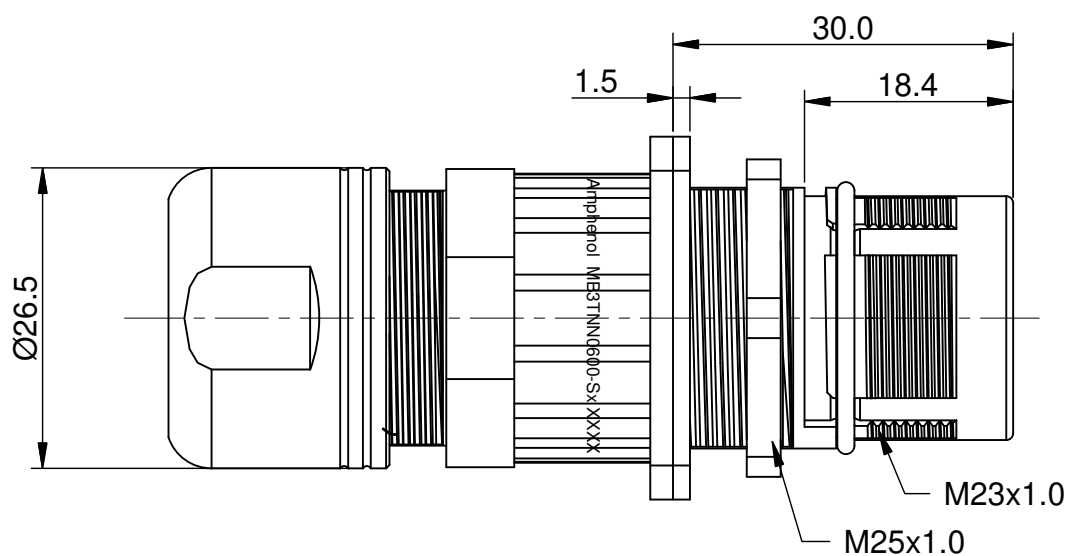
REVISIONS					
REV	ECO	DESCRIPTION	DATE	BY	APPR
B1	-	FIRST RELEASE	Jul.15,2014	Tod	Tommy
B2	-	UPDATE THE DURABILITY	Jun.27,2015	Drack	Tommy



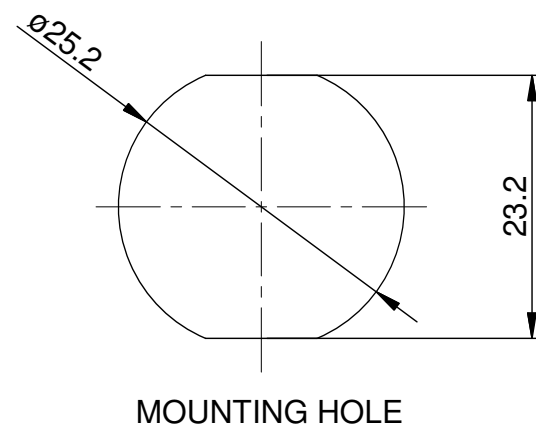
NOTES: UNLESS OTHERWISE SPECIFIED

- MATERIAL:
 INSULATION INSERT: PA66,UL94 V0
 SEAL: VITON
 HOUSING BODY: ZINC DIE CAST, NICKEL PLATED
 COUPLING NUT: COPPER ALLOY, NICKEL PLATED
- SPECIFICATIONS:
 2.1 CURRENT RATING: 28 AMPS
 2.2 VOLTAGE RATING: 630V AC/DC
 2.3 OPERATING TEMPERATURE: -20°C TO +130°C
 2.4 DIELECTRIC WITHSTANDING VOLTAGE: LESS THAN 2 MILLIAMPS CURRENT LEAKAGE @ 6000 VOLTS AC.
 2.5 DEGREE OF PROTECTION: IP67 (MATED CONDITION)
 2.6 DEGREE OF POLLUTION: 3 PER UL840
 2.7 OVERVOLTAGE CATEGORY: III PER UL840
 2.8 MATING CYCLE DURABILITY: >500 CYCLES
 2.9 RoHS COMPLIANT

3. ALL DIMENSIONS ARE FOR REFERENCE USE ONLY.



		Cable OD Range
1	MB3TNN0600-S1	7.5~11.0 mm
2	MB3TNN0600-S2	11.0~14.5mm
3	MB3TNN0600-S3	14.5~17.0 mm



QUANTITY	SEE PART NUMBER CHART PART NUMBER	DESCRIPTION	ITEM
MATERIALS LIST			
UNLESS OTHERWISE SPECIFIED 1) All dimensions are in metric (mm). 2) Tolerances are as follows: 1 PL DEC ±0.30 2 PL DEC ±0.15 3 PL DEC ±0.08 Fractions ±1/64 Angles ±1° 3) Note reference = X		SIGNATURES DATE DRAWN: Drack Jun.27,2015 CHECKED: ENGINEER: APPROVAL:	
MATERIAL SPECIFICATIONS:		Amphenol Sine Systems - www.amphenol-sine.com 44724 Morley Drive Clinton Township, MI 48036	
PROCESS SPECIFICATIONS:		CUSTOMER: THIS DRAWING IS SUPPLIED FOR INFORMATION ONLY. DESIGN FEATURES, SPECIFICATIONS AND PERFORMANCE DATA SHOWN HEREON ARE THE PROPERTY OF THE AMPHENOL CORPORATION. NO RIGHTS OF REPRODUCTION ARE IMPLIED. ALL DIMENSIONS ARE SUBJECT TO NORMAL MANUFACTURING VARIATIONS.	
NEXT ASSY:		M23B,REC.,6POS,JAM NUT,EXTENSION	
		SIZE: B TYPE: C- SCALE: NONE	DWG NO.: MB3TNN0600-Sx REVISION: B2 SHEET 1 OF 1

TITLE: M23B,REC.,6POS,JAM NUT,EXTENSION
 DWG NO.: MB3TNN0600-Sx
 REV: B2
 SH: 1
 OF: 1