

## CTSLF0732TF Series

From 3.3 $\mu$ H to 1,000 $\mu$ H



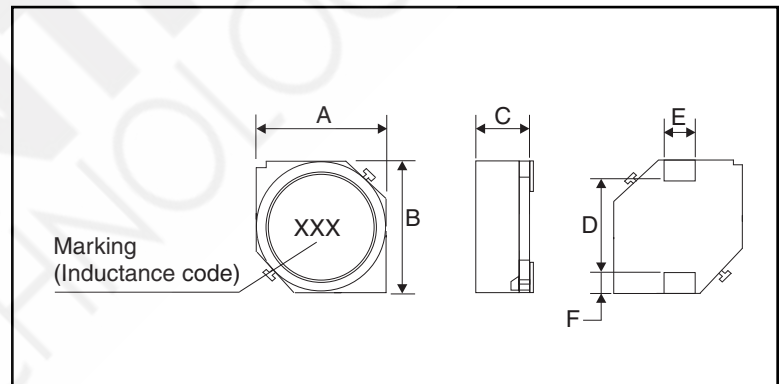
### SPECIFICATIONS

Parts are available in  $\pm 20\%$  inductance tolerance only.

| Part Number      | Inductance ( $\mu$ H) | L Test Freq. (kHz) | DCR $\pm 20\%$ ( $\Omega$ ) | Rated DC (A) |
|------------------|-----------------------|--------------------|-----------------------------|--------------|
| CTSLF0732TF-3R3M | 3.3                   | 1.0                | 0.023                       | 1.90         |
| CTSLF0732TF-4R7M | 4.7                   | 1.0                | 0.036                       | 1.70         |
| CTSLF0732TF-6R8M | 6.8                   | 1.0                | 0.041                       | 1.60         |
| CTSLF0732TF-100M | 10                    | 1.0                | 0.053                       | 1.40         |
| CTSLF0732TF-150M | 15                    | 1.0                | 0.075                       | 1.10         |
| CTSLF0732TF-220M | 22                    | 1.0                | 0.110                       | 0.96         |
| CTSLF0732TF-330M | 33                    | 1.0                | 0.160                       | 0.75         |
| CTSLF0732TF-470M | 47                    | 1.0                | 0.240                       | 0.67         |
| CTSLF0732TF-680M | 68                    | 1.0                | 0.310                       | 0.59         |
| CTSLF0732TF-101M | 100                   | 1.0                | 0.450                       | 0.45         |
| CTSLF0732TF-151M | 150                   | 1.0                | 0.650                       | 0.37         |
| CTSLF0732TF-221M | 220                   | 1.0                | 1.050                       | 0.29         |
| CTSLF0732TF-331M | 330                   | 1.0                | 1.670                       | 0.22         |
| CTSLF0732TF-471M | 470                   | 1.0                | 2.050                       | 0.20         |
| CTSLF0732TF-681M | 680                   | 1.0                | 3.150                       | 0.16         |
| CTSLF0732TF-102M | 1000                  | 1.0                | 4.780                       | 0.13         |

### PHYSICAL DIMENSIONS

| Size   | A                 | B                 | C                 | D                 | E                 | F                 |
|--------|-------------------|-------------------|-------------------|-------------------|-------------------|-------------------|
| mm     | 7 $\pm$ 0.2       | 7 $\pm$ 0.2       | 3.2 $\pm$ 0.2     | 4.9 $\pm$ 0.2     | 2.0 $\pm$ 0.2     | 0.9 $\pm$ 0.2     |
| inches | 0.276 $\pm$ 0.008 | 0.276 $\pm$ 0.008 | 0.126 $\pm$ 0.008 | 0.193 $\pm$ 0.008 | 0.079 $\pm$ 0.008 | 0.035 $\pm$ 0.008 |



### CHARACTERISTICS

**Description:** SMD (shielded) power inductor

**Applications:** For power source circuits, low profile type DC to DC converters, DC to AC inverters, etc.

**Operating Temperature:** -40°C to 125°C (including self-temperature rise)

**Inductance Tolerance:**  $\pm 20\%$

**Testing:** Inductance is tested on a HP4284A at 1.0kHz, 0.5V

**Rated Current:** Value obtained when DC current flows and the initial value of inductance has fallen by 10%

**Packaging:** Tape & Reel

**Marking:** Parts are marked with inductance code

**Miscellaneous:** RoHS Compliant. Magnetically shielded

**Additional Information:** Additional electrical & physical informational available upon request

### PAD LAYOUT

