





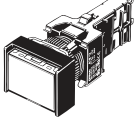
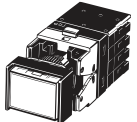
Cylindrical 16-dia. Indicator

- Same basic design as the A16 Pushbutton Switch.



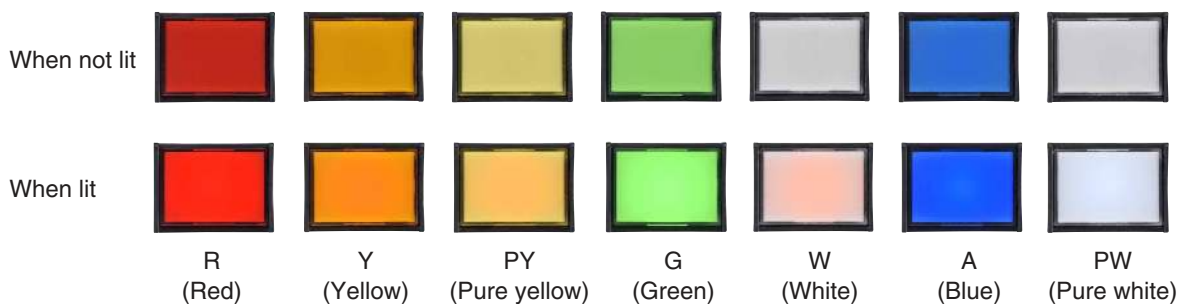
 Refer to *Safety Precautions for All Pushbutton Switches/ Indicators* and *Safety Precautions* on page 10.

List of Models

| | Appearance | Model |
|----------------------------|---|-------|
| Solder terminals | Rectangular  | M16-J |
| | Square  | M16-A |
| | Round  | M16-T |
| Voltage-reduction lighting |  | M16-□ |
| Screw-less Clamp |  | M16-□ |

Button Colors

The button colors when the buttons are lit and when they are not lit are shown below. Use these colors as reference only. The actual colors may vary.



Model Number Structure

Model Number Legend The model numbers used to order sets of Units are illustrated below. One set comprises the Display, Case, LED, and Socket.

For information on combinations, refer to *Ordering Information* on the following pages.

(1) (2) (3) (4) (5)
M 1 6 5 - T R - 24D - S

(1) Degree of Protection

| Symbol | Protection |
|-----------|-------------------------|
| No symbol | IP40 |
| 5 | IP66 oil-resistant type |

(2) Shape of Display

| Symbol | Shape |
|--------|-------------|
| J | Rectangular |
| A | Square |
| T | Round |

(3) Color of Display

| Symbol | Color |
|--------|-------------|
| R | Red |
| G | Green |
| Y | Yellow |
| PY | Pure yellow |
| W | White |
| PW | Pure white |
| A | Blue |

(4) Light Source

| Symbol | Type | Operating voltage | Rated voltage |
|--------|------|-------------------|---------------|
| 5D | LED | 5 ±5% VDC | 5 VDC |
| 12D | | 12 ±5% VAC/VDC | 12 VAC/VDC |
| 24D | | 24 ±5% VAC/VDC | 24 VAC/VDC |

(5) Terminal Type

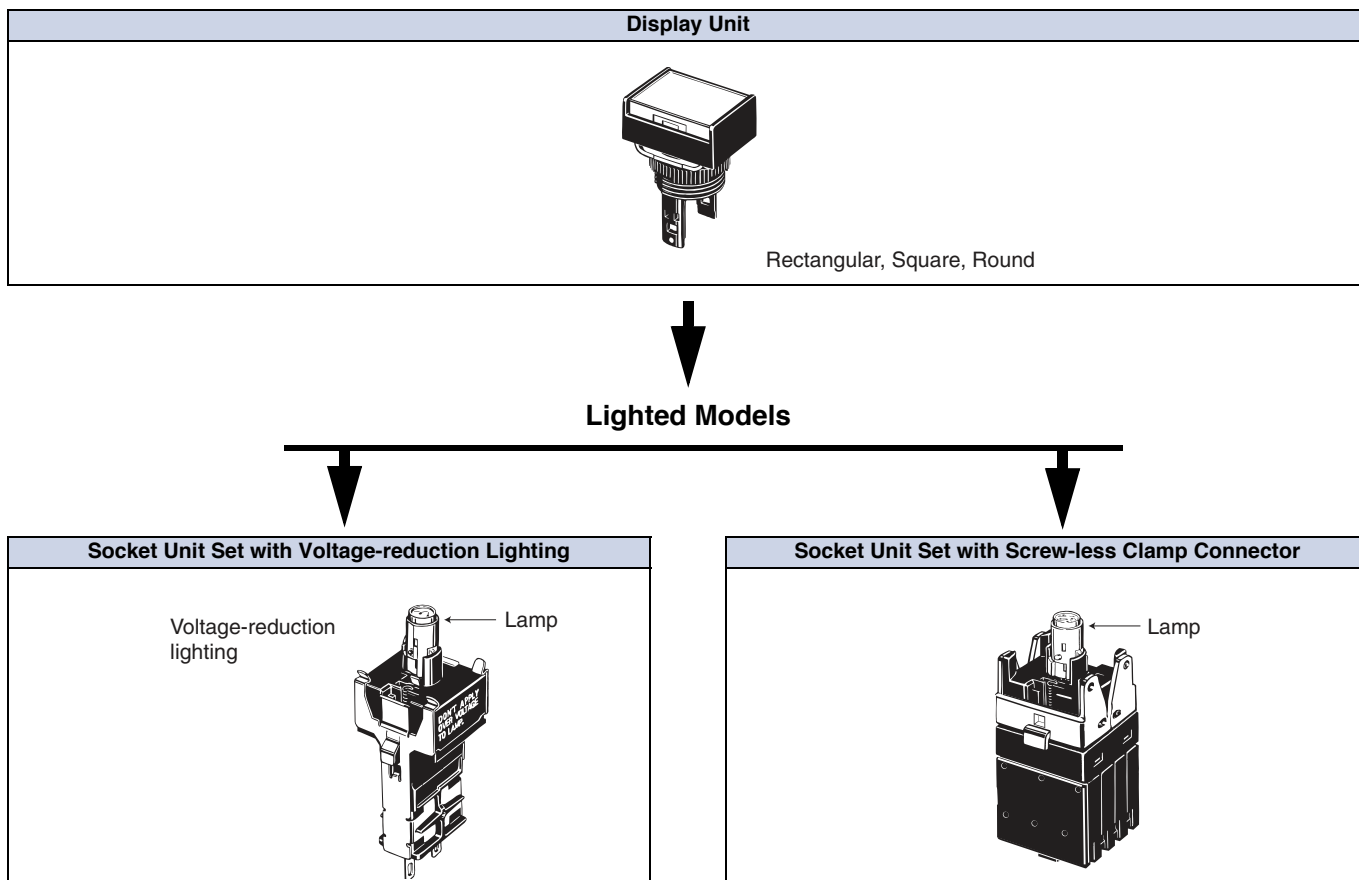
| Symbol | Terminal type |
|-----------|------------------|
| No symbol | Solder terminals |
| S | Screw-less Clamp |

Voltage Reduction Unit (24-V Built-in LED)

| Symbol | Type | Operating voltage | Rated voltage |
|--------|------|-------------------|---------------|
| T1 | LED | 100/110 VAC/VDC | 110 VAC/VDC |
| T2 | | 200/220 VAC/VDC | 220 VAC/VDC |

- Color illuminated models are also available (see page 4).
- Order the parts separately.
- Solder terminals are available only with 100-V models.
- Screw-less clamp connectors are used for 200-V models.

Sets Select an Operation Unit Set (Operation Unit and Case) and a Socket Unit Set (Lamp and Socket Unit).

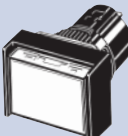


Ordering Information

Ordering as a Set The model numbers used to order sets of Units are given in the following tables. One set comprises the Display, Case, Lamp, and Socket. Not all combinations are possible. Ask your OMRON representative for details.

M16□-J (Rectangular) Models


Solder Terminal Models

| Appearance | Lighting | Degree of protection | IP40 | IP66 oil-resistant type | Display color symbol * |
|--|------------------------------------|----------------------|-------------------|-------------------------|---|
| Rectangular (M16-J)  | LED without Voltage Reduction Unit | 5 VDC | M16-J□-5D | M165-J□-5D | R: red Y: yellow G: green A: blue W: white PY: pure yellow PW: pure white |
| | | 12 VAC/VDC | M16-J□-12D | M165-J□-12D | |
| | | 24 VAC/VDC | M16-J□-24D | M165-J□-24D | |

* Enter the desired color symbol into □ in the model number.

M16□-A (Square) Models


Solder Terminal Models

| Appearance | Lighting | Degree of protection | IP40 | IP66 oil-resistant type | Display color symbol * |
|---|------------------------------------|----------------------|-------------------|-------------------------|---|
| Square (M16-A)  | LED without Voltage Reduction Unit | 5 VDC | M16-A□-5D | M165-A□-5D | R: red Y: yellow G: green A: blue W: white PY: pure yellow PW: pure white |
| | | 12 VAC/VDC | M16-A□-12D | M165-A□-12D | |
| | | 24 VAC/VDC | M16-A□-24D | M165-A□-24D | |

* Enter the desired color symbol into □ in the model number.

M16□-T (Round) Models

Solder Terminal Models

| Appearance | Lighting | Degree of protection | IP40 | IP66 oil-resistant type | Display color symbol * |
|--|------------------------------------|----------------------|-------------------|-------------------------|---|
| Round (M16-T)  | LED without Voltage Reduction Unit | 5 VDC | M16-T□-5D | M165-T□-5D | R: red Y: yellow G: green A: blue W: white PY: pure yellow PW: pure white |
| | | 12 VAC/VDC | M16-T□-12D | M165-T□-12D | |
| | | 24 VAC/VDC | M16-T□-24D | M165-T□-24D | |

Note: Neon lamps are not available with models that are ordered as a set. They must be ordered individually if required.


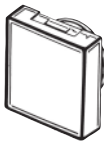

* Enter the desired color symbol into □ in the model number.

Individual models: Refer to pages 4 to 6.
(The Display, Lamp, Case, and Switch can be ordered separately.)

- Accessories, replacements, and tools: Refer to the A16.
- Ratings and characteristics: Refer to the A16.
- Dimensions: Refer to pages 8 to 9.


Ordering Information

Ordering IndividuallyDisplays, Cases, Lamps, and Sockets can be ordered separately. Combinations that are not available as sets can be created using individual parts. Also, store the parts as spares for maintenance and repairs.

| Display (Refer to page 6.) | | |
|--|---|--|
| <p>Rectangular</p>  | <p>Square</p>  | <p>Round</p>  |

Note: Use IP40 Displays in combination with IP40 Cases and use IP66 oil-resistant Displays in combination with IP66 oil-resistant Cases. The Display has a legend plate built in.




| Case (Refer to page 6.) |
|---|
|  |
| <p>Note: Display Units, which are combinations of Displays and Cases, are also available.</p> |




Lighted Models



| Lamp (Refer to page 6.) |
|--|
| <p>LED</p>  |



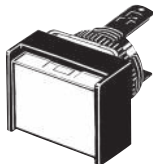
| Socket (Refer to page 6.) |
|---|
| <p>Solder Terminals (Without Voltage Reduction Unit)</p> |
|  |
| <p>Note: Socket Units, which are combinations of Lamps and Sockets, are also available.</p> |

- For colored illumination, order the Display, Case, Lamp, and Socket Unit separately.

Ordering Information

Sets..... Sets that combined a Display and Cases are also available.

Display Set


| Appearance | Classification | | Model |
|---|-------------------------|---------------------------|-----------------|
|  | IP40 | Rectangular (2-way guard) | A16-J□M |
| | | Square (2-way guard) | A16-A□M |
| | | Round (projecting model) | A16-T□M |
| | IP66 oil-resistant type | Rectangular (2-way guard) | A165-J□M |
| | | Square (2-way guard) | A165-A□M |
| | | Round (projecting model) | A165-T□M |

Insert one of the following symbols into the box in the model number.


| Symbol | Color | Remarks |
|--------|-------------|----------|
| R | Red | LED only |
| Y | Yellow | |
| PY | Pure yellow | |
| A | Blue | |
| W | White* | |
| GY | Green | |

* Use this pushbutton color if the illumination color of the LED is white or pure white.

Socket Unit Sets with LEDs


| Appearance | Classification | Model |
|--|------------------|--|
|  | Solder terminals | M16-1-2 |

Socket Unit Sets with Voltage-reduction Lighting (Solder Terminals)

| Appearance | Classification | Model |
|---|-----------------|---|
|  | 100/110 VAC/VDC | M16-1-T1 |

Note: The LED has 24-VAC/VDC circuit built in.

Socket Unit Sets with Screw-less Clamp Connectors

| Appearance | Classification | | Model | |
|---|----------------|--|--|---|
|  | Display | No voltage-reduction lighting | M16-1-2-S | |
| | | Voltage-reduction lighting (See note.) | 100/110 VAC/VDC | M16-1-T1-S |
| | | | 200/220 VAC/VDC | M16-1-T2-S |

Note: 1. The LED built into the 100-V model is 24 VAC/VDC.
2. The LED built into the 200-V model is high-intensity 24 VAC/VDC.

Insert symbols into the boxes with circled numbers.

1

| Symbol | Color |
|--------|--------|
| R | Red |
| Y | Yellow |
| A | Blue |
| W | White |
| G | Green |

2







| Symbol | Type | Operating voltage |
|--------|------|-------------------|
| 5D | LED | 5 VDC |
| 12D | | 12 VAC/VDC |
| 24D | | 24 VAC/VDC |

Ordering Information

Ordering IndividuallyDisplays, Cases, Lamps, and Sockets can be ordered separately. Combinations that are not available as sets can be created using individual parts. Also, store the parts as spares for maintenance and repairs.


Display

For LED-lighted Models

| Sealing | IP40 | | | IP66 oil-resistant type | | |
|------------------|---|---|---|--|---|---|
| | Rectangular | Square | Round | Rectangular | Square | Round |
| Appearance |  |  |  |  |  |  |
| Color of Display | | | | | | |
| Red | A16L-JR | A16L-AR | A16L-TR | A165L-JR | A165L-AR | A165L-TR |
| Yellow | A16L-JY | A16L-AY | A16L-TY | A165L-JY | A165L-AY | A165L-TY |
| Pure yellow | A16L-JPY | A16L-APY | A16L-TPY | A165L-JPY | A165L-APY | A165L-TPY |
| Green | A16L-JGY | A16L-AGY | A16L-TGY | A165L-JGY | A165L-AGY | A165L-TGY |
| White | A16L-JW | A16L-AW | A16L-TW | A165L-JW | A165L-AW | A165L-TW |
| Blue | A16L-JA | A16L-AA | A16L-TA | A165L-JA | A165L-AA | A165L-TA |


Lamp

LED


| Operating voltage | High intensity  | | |
|-------------------|--|------------|------------|
| | 5 VDC | 12 VAC/VDC | 24 VAC/VDC |
| Color | | | |
| Red | A16-5DSR | A16-12DSR | A16-24DSR |
| Yellow | A16-5DSY | A16-12DSY | A16-24DSY |
| Green | A16-5DSG | A16-12DSG | A16-24DSG |
| White * | A16-5DSW | A16-12DSW | A16-24DSW |
| Blue | A16-5DA | A16-12DA | A16-24DA |
| Pure white | A16-5DPW | A16-12DPW | A16-24DPW |

* Use the white LED when the required illumination color is white or pure yellow.

Case

| Appearance | Classification | | Model number |
|---|-------------------------|-------------|--------------|
|  | IP40 | Rectangular | A16-CJM |
| | | Square | A16-CAM |
| | | Round | A16-CTM |
| | IP66 oil-resistant type | Rectangular | A165-CJM |
| | | Square | A165-CAM |
| | | Round | A165-CTM |

Socket

| Appearance | Classification | | Model number | |
|---|------------------|----------------------------|--------------|----------|
|  | Solder terminals | | M16-0 | |
| | PCB terminals | | M16-0P | |
| | Screw-Less Clamp | | M16-S | |
| | Solder terminals | Voltage-reduction lighting | 100 V | M16-T1 |
| | Screw-less Clamp | | 100 V | M16-T1-S |
| | | | 200 V | M16-T2-S |

Ordering set combinations: Refer to page 3.

- Accessories, replacements, and tools: Refer to the A16.
- Ratings and characteristics: Refer to the A16.
- Dimensions: Refer to pages 8 to 9.

Specifications

Approved Standard Ratings

UL, cUL (File No. E76675)

LED: 24 VDC max.

Note: Certification has been obtained for the Socket Unit.

For detailed information on individual products that have received certification, consult your supplier.

Ratings

| | |
|--------------------------------------|---|
| Ambient operating temperature | -10°C to 55°C (with no icing or condensation) |
| Ambient operating humidity | 35% to 85%RH |
| Ambient storage temperature | -25°C to 65°C (with no icing or condensation) |

Super-bright LED

| Rated voltage | Rated current | Operating voltage | Built-in limiting resistance |
|---------------|---------------|-------------------|---|
| 5 VDC | 8 mA | 5 VDC ±5% | Red, yellow, white: 300 Ω Green, blue, pure white: 160 Ω |
| 12 VAC/VDC | | 12 VAC/VDC ±5% | Red, yellow, white: 1 kΩ Green, blue, pure white: 910 Ω |
| 24 VAC/VDC | | 24 VAC/VDC ±5% | 2.4 kΩ |

Characteristics

Screw-less Clamp

| Item | Type | Screw-less Clamp | | | |
|--|-------------------------|--|---------------------|----------------------|----------------------|
| Recommended wire size | | 0.5 mm ² twisted wire or 0.8 mm-dia. solid wire | | | |
| Usable wires and tensile strength | Twisted wire | 0.3 mm ² | 0.5 mm ² | 0.75 mm ² | 1.25 mm ² |
| | Solid wire | 0.5 mm dia. | 0.8 mm dia. | 1.0 mm dia. | --- |
| | Tensile strength | 10 N | 20 N | 30 N | 40 N |
| Length of exposed wire | | 10 ±1 mm | | | |
| Compliant standards | | JIS C 2811 Terminal Blocks for Industrial Use | | | |

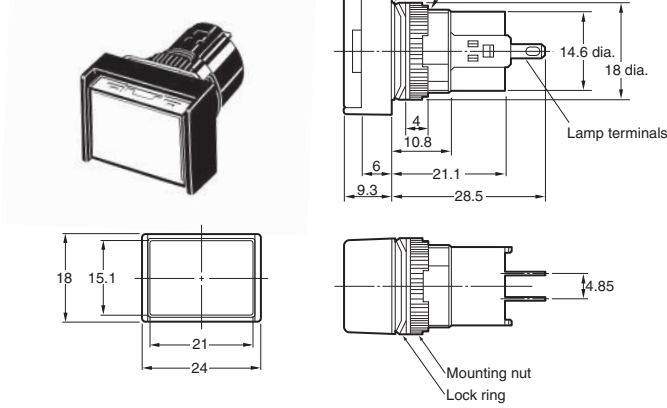
Dimensions (Refer to the A16 for details of panel cutout dimensions.)

(Unit: mm)

Rectangular

M16□-J

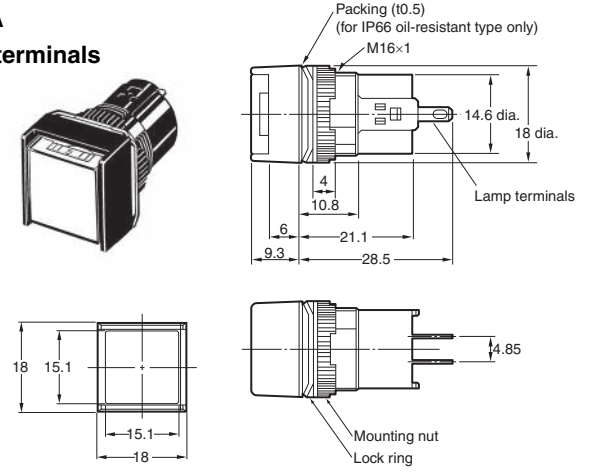
Solder terminals



Square

M16□-A

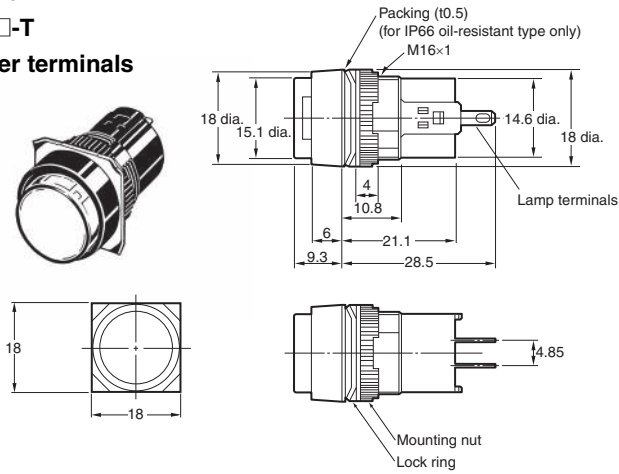
Solder terminals



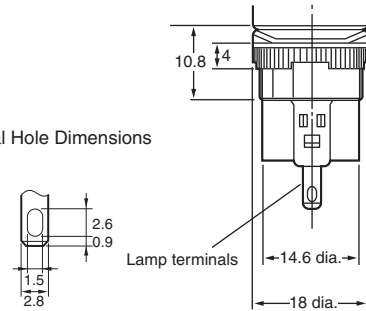
Round

M16□-T

Solder terminals



Terminal Hole Dimensions

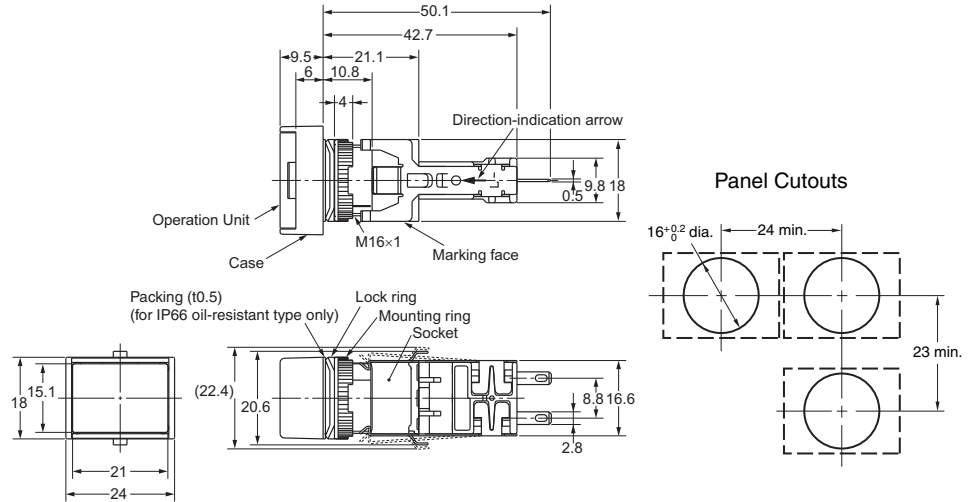
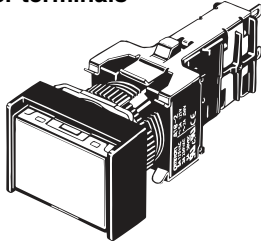


Dimensions

Rectangular

M16□-J□-T1

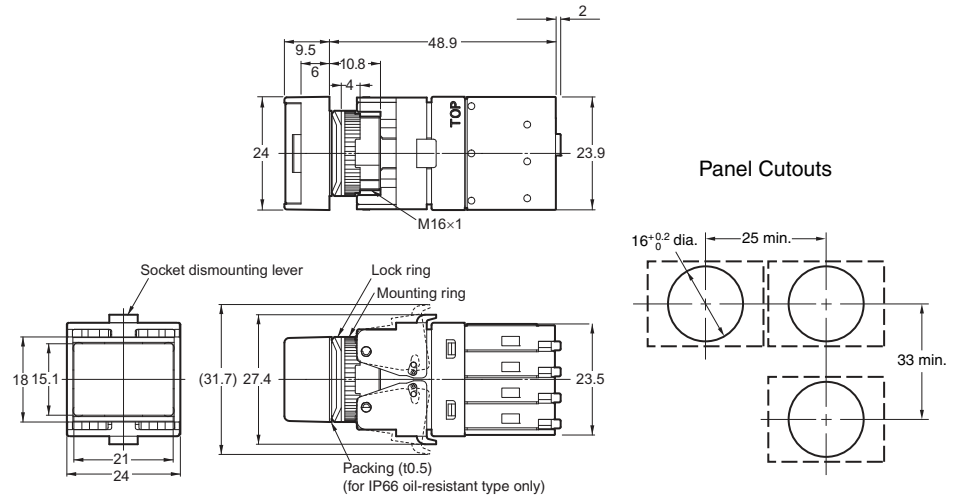
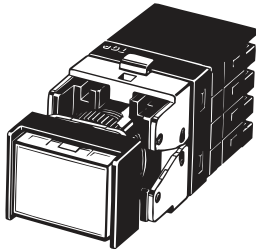
Voltage-reduction lighting,
solder terminals



Rectangular

M16□-J□-S

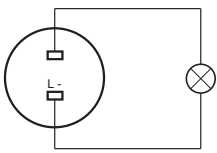
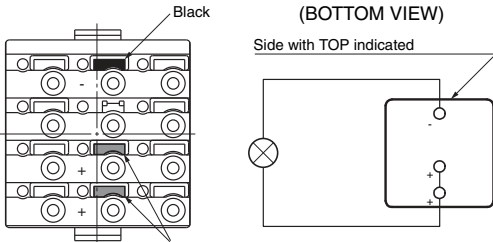
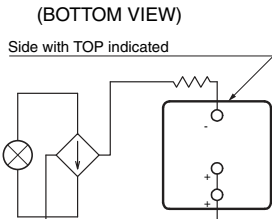
Screw-less Clamp



Dimensions

(All units are in millimeters unless otherwise indicated.)

Terminal Arrangement

| Solder Terminals | Screw-less Clamp | Voltage-reduction Lighting |
|---|--|--|
| <p>(BOTTOM VIEW)</p>  <p>The L+ is not shown on the Socket Unit.</p> | <p>(BOTTOM VIEW)</p> <p>Side with TOP indicated</p>  <p>Black</p> <p>Red</p> | <p>(BOTTOM VIEW)</p> <p>Side with TOP indicated</p>  <p>Models with voltage-reduction lighting have a circuit to reduce voltage built in.</p> |

Accessories, Replacements, and Tools

The accessories, replacements, and tools are also used with the A16 Pushbutton Switch. Refer to the A16 datasheet.

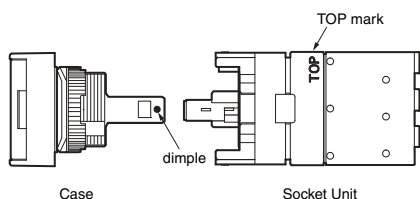
Safety Precautions

Refer to *Safety Precautions for All Pushbutton Switches/Indicators* and *Safety Precautions for the A16*.

Precautions for Correct Use

Mounting

- When mounting the Case onto the Socket Unit, ensure that the orientation is correct. Perform mounting with the dimple on the Case and the TOP mark on the Socket Unit facing in the same direction.



Wiring

- When using stranded wire, gather the ends of the strands together before wiring.
- When wiring, insert the wire until it comes into contact with something. After wiring is completed, pull on the wires to confirm that they are connected securely.
- After wiring, ensure that continuous pressure is not applied to the terminals.
- Refer to internal connections diagrams and confirm the terminal numbers before performing wiring.

Screw-less Clamps

Mounting Procedure

- Strip a length of 10 mm off the end of the wire (allowable range: 10 ± 1 mm).
- Bunch wire strands together and straighten them.
- Insert the wire into the insertion hole while pressing the release button at the side of the hole. (Using a precision screwdriver is recommended.)
- Let go of the release button to lock the wire into place.
- After locking, pull on the wire gently to confirm that it is securely locked.

Removing Procedure

- Remove wires by pulling them while pressing the release button.

Note: When reusing wires that have already been locked, cut off the end of the wire and strip the wire again before using.

Terms and Conditions Agreement

Read and understand this catalog.

Please read and understand this catalog before purchasing the products. Please consult your OMRON representative if you have any questions or comments.

Warranties.

(a) Exclusive Warranty. Omron's exclusive warranty is that the Products will be free from defects in materials and workmanship for a period of twelve months from the date of sale by Omron (or such other period expressed in writing by Omron). Omron disclaims all other warranties, express or implied.

(b) Limitations. OMRON MAKES NO WARRANTY OR REPRESENTATION, EXPRESS OR IMPLIED, ABOUT NON-INFRINGEMENT, MERCHANTABILITY OR FITNESS FOR A PARTICULAR PURPOSE OF THE PRODUCTS. BUYER ACKNOWLEDGES THAT IT ALONE HAS DETERMINED THAT THE PRODUCTS WILL SUITABLY MEET THE REQUIREMENTS OF THEIR INTENDED USE.

Omron further disclaims all warranties and responsibility of any type for claims or expenses based on infringement by the Products or otherwise of any intellectual property right. (c) Buyer Remedy. Omron's sole obligation hereunder shall be, at Omron's election, to (i) replace (in the form originally shipped with Buyer responsible for labor charges for removal or replacement thereof) the non-complying Product, (ii) repair the non-complying Product, or (iii) repay or credit Buyer an amount equal to the purchase price of the non-complying Product; provided that in no event shall Omron be responsible for warranty, repair, indemnity or any other claims or expenses regarding the Products unless Omron's analysis confirms that the Products were properly handled, stored, installed and maintained and not subject to contamination, abuse, misuse or inappropriate modification. Return of any Products by Buyer must be approved in writing by Omron before shipment. Omron Companies shall not be liable for the suitability or unsuitability or the results from the use of Products in combination with any electrical or electronic components, circuits, system assemblies or any other materials or substances or environments. Any advice, recommendations or information given orally or in writing, are not to be construed as an amendment or addition to the above warranty.

See <http://www.omron.com/global/> or contact your Omron representative for published information.

Limitation on Liability: Etc.

OMRON COMPANIES SHALL NOT BE LIABLE FOR SPECIAL, INDIRECT, INCIDENTAL, OR CONSEQUENTIAL DAMAGES, LOSS OF PROFITS OR PRODUCTION OR COMMERCIAL LOSS IN ANY WAY CONNECTED WITH THE PRODUCTS, WHETHER SUCH CLAIM IS BASED IN CONTRACT, WARRANTY, NEGLIGENCE OR STRICT LIABILITY.

Further, in no event shall liability of Omron Companies exceed the individual price of the Product on which liability is asserted.

Suitability of Use.

Omron Companies shall not be responsible for conformity with any standards, codes or regulations which apply to the combination of the Product in the Buyer's application or use of the Product. At Buyer's request, Omron will provide applicable third party certification documents identifying ratings and limitations of use which apply to the Product. This information by itself is not sufficient for a complete determination of the suitability of the Product in combination with the end product, machine, system, or other application or use. Buyer shall be solely responsible for determining appropriateness of the particular Product with respect to Buyer's application, product or system. Buyer shall take application responsibility in all cases.

NEVER USE THE PRODUCT FOR AN APPLICATION INVOLVING SERIOUS RISK TO LIFE OR PROPERTY OR IN LARGE QUANTITIES WITHOUT ENSURING THAT THE SYSTEM AS A WHOLE HAS BEEN DESIGNED TO ADDRESS THE RISKS, AND THAT THE OMRON PRODUCT(S) IS PROPERLY RATED AND INSTALLED FOR THE INTENDED USE WITHIN THE OVERALL EQUIPMENT OR SYSTEM.

Programmable Products.

Omron Companies shall not be responsible for the user's programming of a programmable Product, or any consequence thereof.

Performance Data.

Data presented in Omron Company websites, catalogs and other materials is provided as a guide for the user in determining suitability and does not constitute a warranty. It may represent the result of Omron's test conditions, and the user must correlate it to actual application requirements. Actual performance is subject to the Omron's Warranty and Limitations of Liability.

Change in Specifications.

Product specifications and accessories may be changed at any time based on improvements and other reasons. It is our practice to change part numbers when published ratings or features are changed, or when significant construction changes are made. However, some specifications of the Product may be changed without any notice. When in doubt, special part numbers may be assigned to fix or establish key specifications for your application. Please consult with your Omron's representative at any time to confirm actual specifications of purchased Product.

Errors and Omissions.

Information presented by Omron Companies has been checked and is believed to be accurate; however, no responsibility is assumed for clerical, typographical or proofreading errors or omissions.