

REVISIONS

| P | LTR | DESCRIPTION               | DATE      | DWN | APVD |
|---|-----|---------------------------|-----------|-----|------|
|   | E   | REVISED PER ECN-22-142121 | 08APR2022 | LN  | JM   |

NOTES:

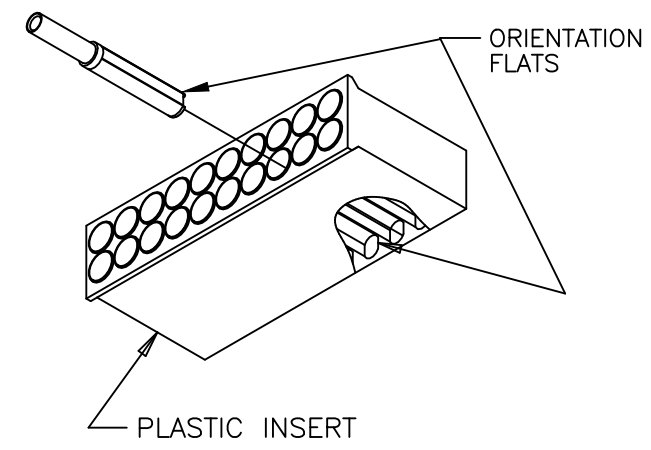
- THIS INSERT IS DESIGNED FOR USE IN RAYCHEM CONNECTOR HOUSINGS MTC100-YH1-001, -002, -003, -004. (SEE RAYCHEM INFORMATION DRAWING D-659-0100 AND HOUSING SPECIFICATION CONTROL DRAWINGS FOR FURTHER DETAILS).
- PART DESCRIBED HEREON IS SUPPLIED AS SHOWN. IF CONTACTS, SEALING PLUGS, AND TOOLS ARE DESIRED, THE FOLLOWING MODIFICATION NUMBER IS TO BE ADDED TO THE PART NUMBER:

| MOD NO. | DESCRIPTION                           |
|---------|---------------------------------------|
| 022     | WITH CONTACTS AND SEALING PLUGS       |
| 023     | WITH CONTACTS, SEALING PLUGS AND TOOL |

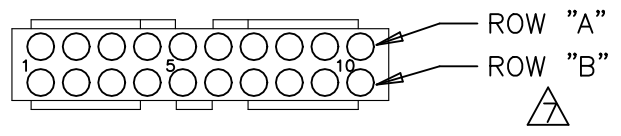
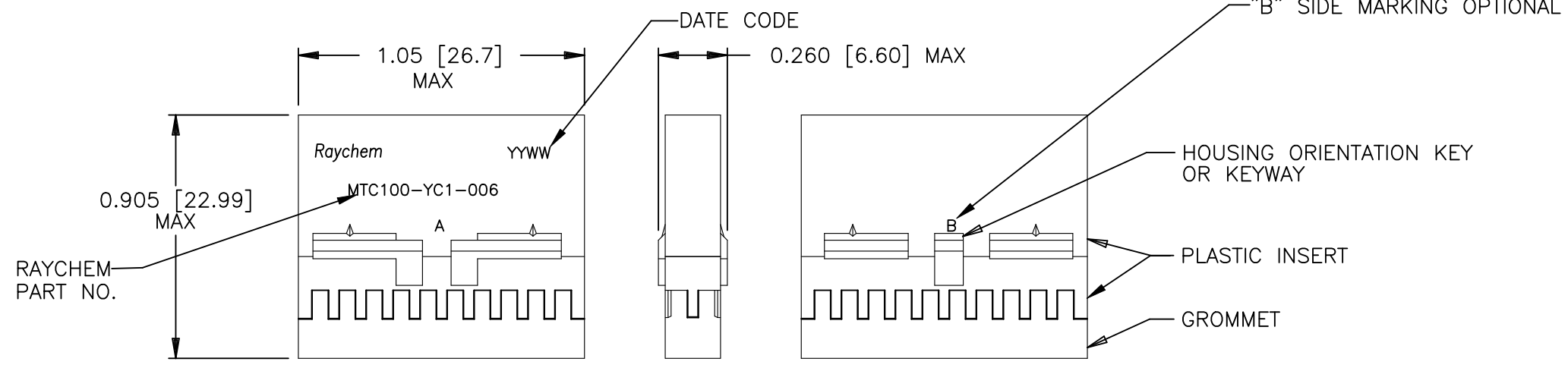
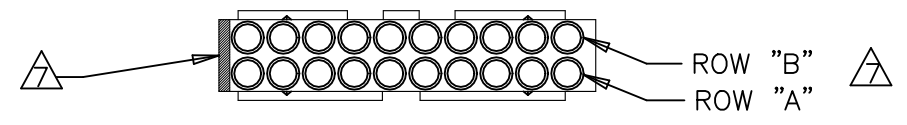
REFERENCE RAYCHEM INFORMATION DRAWING D-659-0100 FOR CRIMP TOOLS OR ADDITIONAL CONTACTS, SEALING PLUGS OR TOOLS.

- GROMMET DESIGNED TO SEAL ON WIRES HAVING AN INSULATION DIAMETER OF 0.030 TO 0.065.
- PERFORMANCE:  
THIS PRODUCT IS DESIGNED TO MEET THE APPLICABLE REQUIREMENTS OF RAYCHEM SPECIFICATION D-6014.
- MATERIALS:  

|  |  |
|--|--|
| A) PLASTIC INSERT                                  | HIGH GRADE POLYARYLENE THERMOPLASTIC   |
| B) GROMMET   | FLUOROSILICONE PER MIL-R-25988   |
| C) RETENTION CLIPS (20)<br>(INSIDE PLASTIC INSERT) | BERYLLIUM COPPER 172 PER QQ-C-533 OR<br>301 STAINLESS STEEL PER TEC-100-309 SPECIAL TEMPER |
- CONFIGURATION CONTROL PER ES 71001 APPLIES.



NUMBER ONE (1) CAVITIES ARE MARKED IN CONTRASTING COLOR. ROWS "A" AND "B" ARE AN INTEGRAL PART OF THE INSERT. ROWS "A" AND "B" ARE IDENTIFIED ON THE SIDE OF THE INSERT AS "A" AND "B", "B" SIDE MARKING OPTIONAL.



THIS DRAWING IS A CONTROLLED DOCUMENT.

| DIMENSIONS:<br>INCHES | TOLERANCES UNLESS<br>OTHERWISE SPECIFIED: |
|-----------------------|---|
|                       | 0 PLC ± -                                 |
|                       | 1 PLC ± -                                 |
|                       | 2 PLC ± -                                 |
|                       | 3 PLC ± -                                 |
|                       | 4 PLC ± -                                 |
|                       | ANGLES ± -                                |
| MATERIAL              | FINISH                                    |
| -                     | -   |

|                  |            |           |
|------------------|------------|-----------|
| DWN              | LUTTICKEN  | 06JUL1988 |
| CHK              | HAWKINGS   | 14JUL1988 |
| APVD             | J.CAMERON  | 14JUL1988 |
| PRODUCT SPEC     | -          |           |
| APPLICATION SPEC | -          |           |
| WEIGHT           | 0.0067 lbs |           |



INSERT, SOCKET, 20 CAVITY, SIZE 22-20, REMOVABLE CONTACT, 1-IN CONNECTOR MTC100SERIES

| SIZE             | CAGE CODE | DRAWING NO       | RESTRICTED TO |
|------------------|-----------|------------------|---------------|
| A3               | 00779     | C-MTC100-YC1-006 | -             |
| CUSTOMER DRAWING |           | SCALE 1:1        | SHEET 1 OF 1  |
|                  |           | REV E            |               |