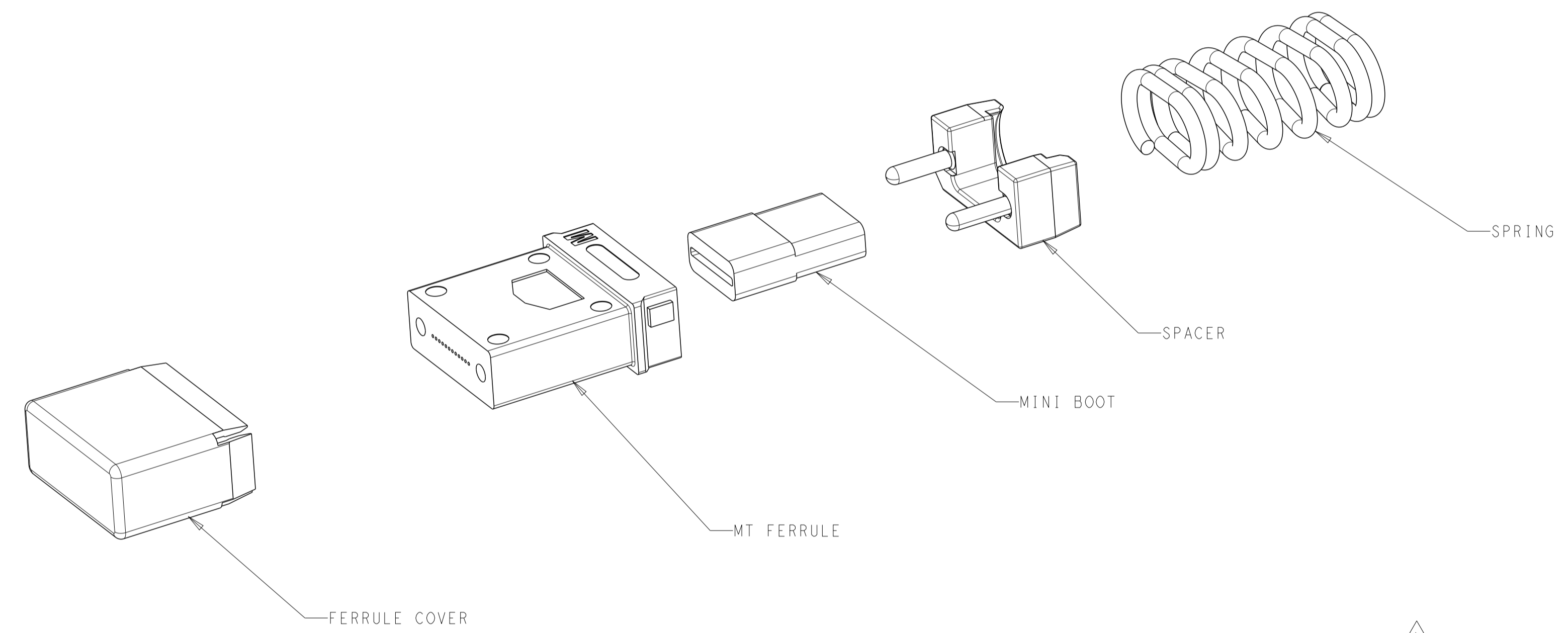


REVISIONS				
P	LTN	DESCRIPTION	DATE	OWN APVD
A		RELEASED PER ECO-17-011646	16NOV2017	- -
A1		REVISED PER ECO-18-003364	27FEB2018	DF JM
A2		ECN-22-168414	05AUG2022	CG JM

MT FERRULE KIT
 (COMPONENTS PACKAGED UNASSEMBLED)
 2828413-1 SHOWN



- 1 MATERIAL= MT FERRULE: THERMOPLASTIC PER ASTM D4067
 FERRULE COVER: ABS PER ASTM D4673
 MINI BOOT: VULCANIZED THERMOPLASTIC POLYOLEFIN
 SPRING: 300 SERIES, STAINLESS STEEL WIRE, PER ASTM A313
 SPACER: PBT PER ASTM D5927
- 2 FINISH= SPRING: PASSIVATED
- 3 WEIGHT CALCULATIONS FOR REFERENCE ONLY.

0.225	7 CAVITY RCPT: 2828464-1	SPACER AND SPRING NOT INCLUDED	12 FIBER, MULTI-MODE, LOW-LOSS GRADE	2828413-3
0.463	2 CAVITY RCPT: 2828383-1	ALL COMPONENTS INCLUDED	24 FIBER, MULTI-MODE, LOW-LOSS GRADE	2828413-2
0.465	2 CAVITY RCPT: 2828383-1	ALL COMPONENTS INCLUDED	12 FIBER, MULTI-MODE, LOW-LOSS GRADE	2828413-1
KIT WEIGHT (GRAMS) 3	USED WITH	KIT COMPONENTS	MT FERRULE TYPE	KIT PART NUMBER

THIS DRAWING IS A CONTROLLED DOCUMENT. DWN D. FABIAN 08APR2015
 CHK J. MOSIER 16NOV2017
 APVD J. MOSIER 16NOV2017

STE TE Connectivity

NAME: MT FERRULE KIT, WITHOUT PINS FOR RECEPTACLE (BACKPLANE) VITA 66 DERIVATIVE CONNECTOR

PRODUCT SPEC: 108-163007
 APPLICATION SPEC: 114-163005

SIZE: A1 CAGE CODE: - DRAWING NO: 2828413 RESTRICTED TO: -

WEIGHT: SEE TABLE A1
 MATERIAL: 1 FINISH: 2

CUSTOMER DRAWING SCALE: 7:1 SHEET 1 OF 1 REV: A2