

# Electromechanical Buzzer

## RB Series



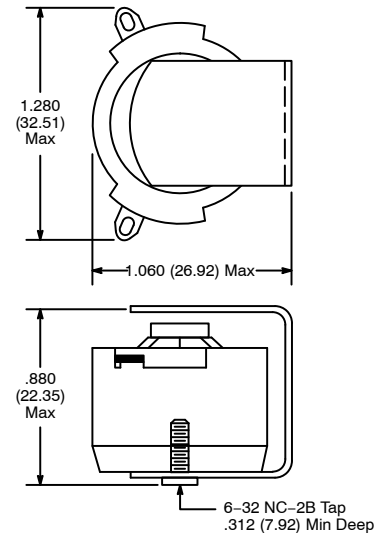
AC Buzzer, Typical Applications Include Toasters, Ovens, Alarms, and Signaling Devices.

### Features

- Operates on 50Hz or 60Hz AC Voltage
- Will Operate Continuously Without Overheating
- Easy Single Screw Mounting



### D56



## Electrical Specifications

### Coil Data

Coil Voltages: AC Only: Up to 277 Volts/60Hz

### Operate Data

Operating Voltage:  $\pm 15\%$  of Nominal

Sound Pressure Level: (Nominal Voltage)  
93 dBA at 15 cm (Average)  
74 dBA at 1.0 Meters (Average)

### Insulation Characteristics

#### Dielectric Strength

Between all Elements: 1000 VRMS, 60Hz

### Environmental Characteristics

Operating Ambient:  $-45^{\circ}\text{C}$  to  $+110^{\circ}\text{C}$

Coil Temperature Rise: (25°C Ambient – Continuous Duty)  
45°C Approx. @ 60Hz – Use at 50Hz will  
Cause Slight Increase in Coil Rise

### Mechanical Data

Terminals: Pierced solder lugs .187" x .020"

### Weight

Std: 31 gram approx.

### AC OPERATED

NTE Type No.	Nominal Voltage	Resistance Ohms $\pm 10\%$	Nominal Coil Power	Diag No.
RB-12	12VAC	20	3.0VA	D56
RB-24	24VAC	80	3.0VA	D56
RB-120	120VAC	2025	3.0VA	D56
RB-240	240VAC	8000	3.0VA	D56