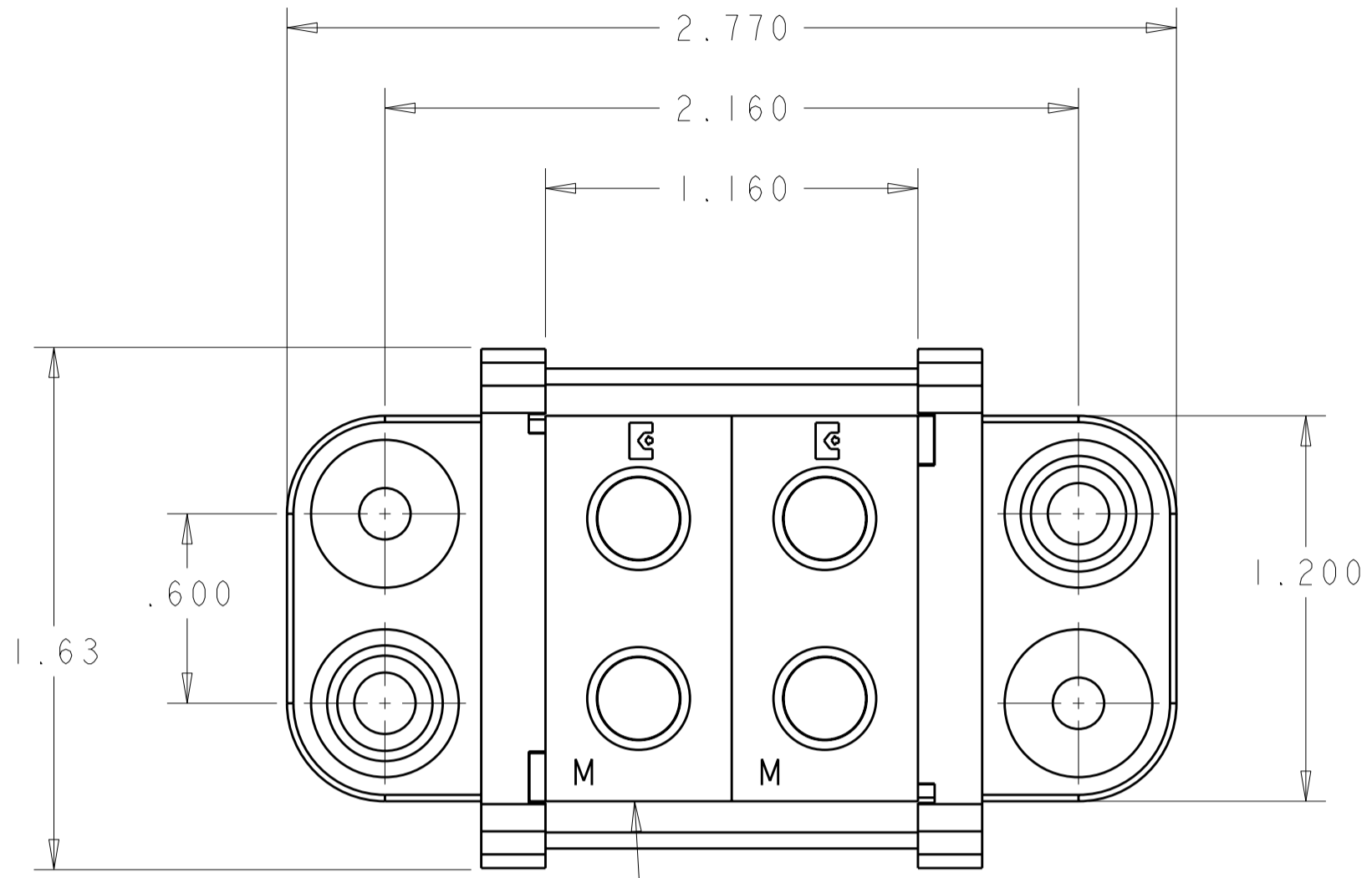


THIS DRAWING IS UNPUBLISHED. RELEASED FOR PUBLICATION 20
 © COPYRIGHT 20 BY - ALL RIGHTS RESERVED.

REVISIONS				
P	LTR	DESCRIPTION	DATE	APVD
A		NEW RELEASE	13FEB2012	BM DO



1. PART NUMBER CHANGES AND/OR DESIGN CHANGES AFFECTING ITEM INTERCHANGEABILITY REQUIRE PRIOR TYCO ELECTRONICS APPROVAL AND AUTHORIZATION BY REVISION TO THIS DRAWING.

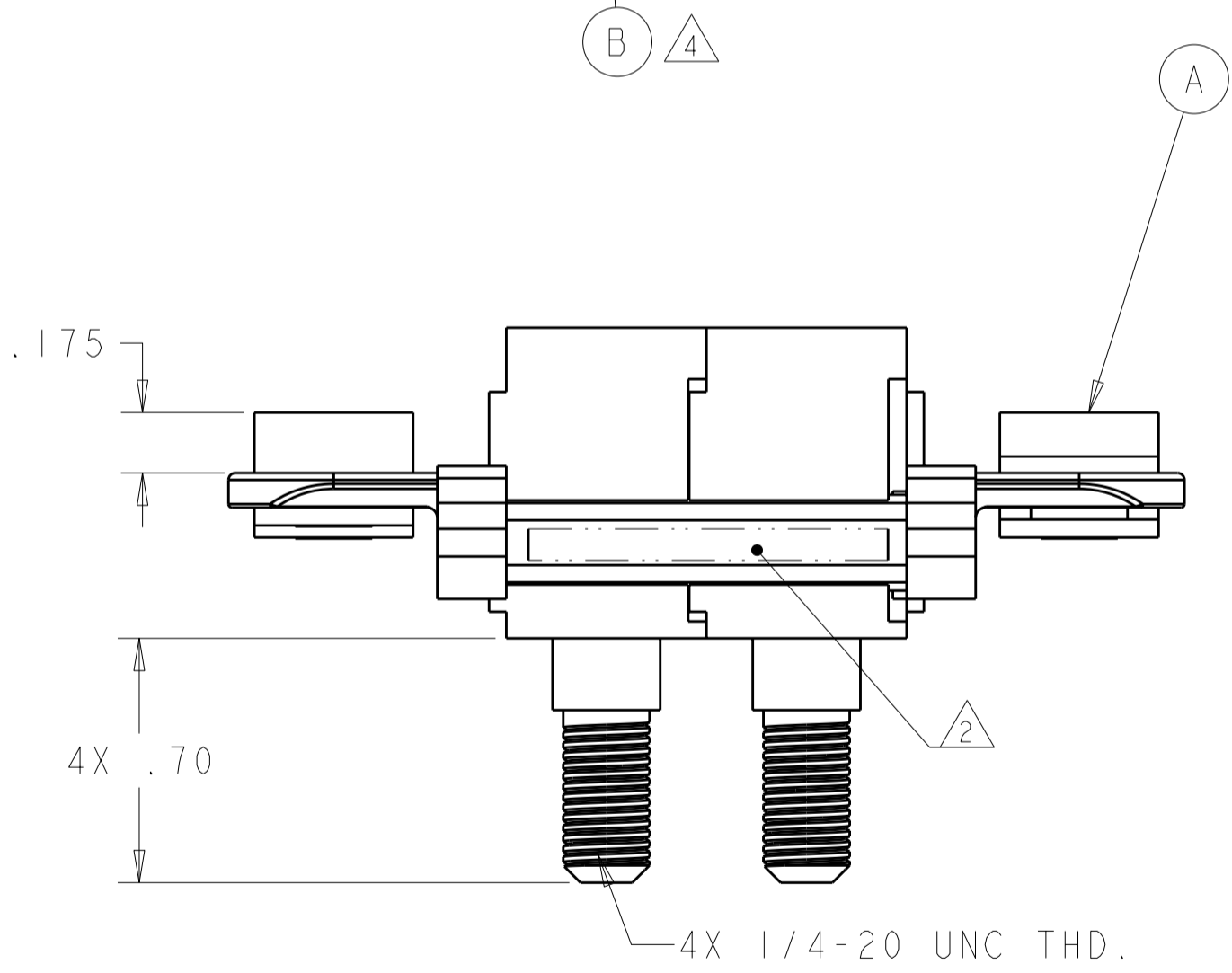
2. ITEMS PROVIDED TO THIS SPECIFICATION TO BE PERMANENTLY IDENTIFIED PER THE FOLLOWING IDENTIFIER:

TYCO ELECTRONICS P/N DATE CODE (e.g. 0212)
 XXXXXXXX-X XXXX

YEAR 1 WEEK 1

3. MOUNTING FLANGE BUSHING ACCEPTS 6/32 SCREW (Ø.156 CLEARANCE HOLE, FLOAT MOUNT) OR 8/32 SCREWS (Ø.173 CLEARANCE HOLE FIXED MOUNT) USER SUPPLIED.

4. MODULE "M" SOCKET IS INSTALLED



2	6648454-1	MODULE "M"	B
2	6648252-1	END CAP, PANEL MOUNT	A
-1	PART NUMBER	DESCRIPTION	ITEM NO.

THIS DRAWING IS A CONTROLLED DOCUMENT.		DWN R. GRZYBOWSKI 13FEB2012	STE TE Connectivity	
DIMENSIONS: INCHES		CHK D. ORRIS 13FEB2012		
TOLERANCES UNLESS OTHERWISE SPECIFIED:		APVD S. FLICKINGER 13FEB2012	NAME SOCKET CONNECTOR W/ PANEL CUT OUT DOMINO	
0 PLC ±	1 PLC ±	PRODUCT SPEC -	SIZE A2	CAGE CODE 00779
2 PLC ±.02	3 PLC ±.010	APPLICATION SPEC -	DRAWING NO. C-2085997	RESTRICTED TO -
4 PLC ±	ANGLES ±	WEIGHT -	SCALE 2:1 SHEET 1 OF 2 REV A	
MATERIAL -	FINISH -	CUSTOMER DRAWING		

ELCON **DOMINO**

4

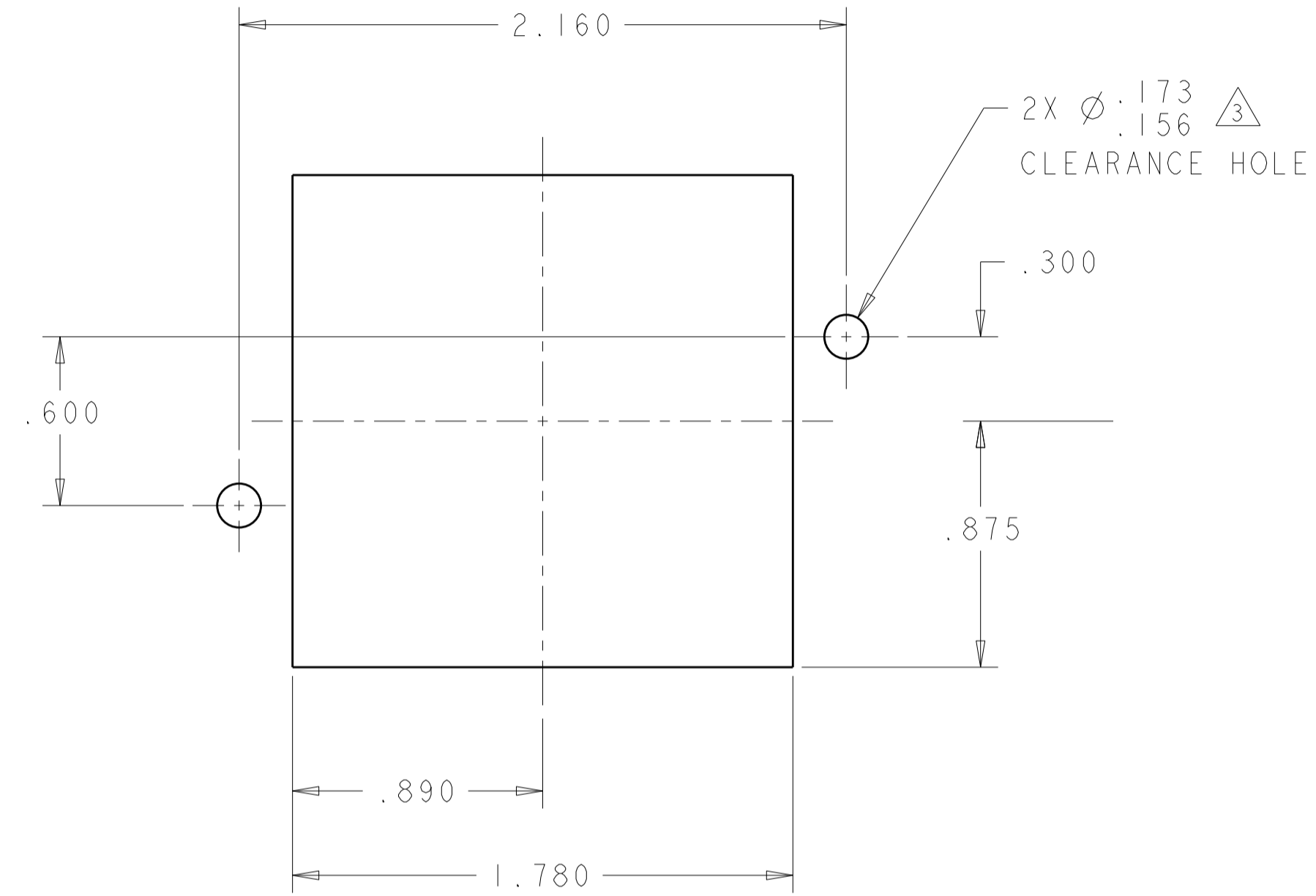
3

2


1

THIS DRAWING IS UNPUBLISHED. RELEASED FOR PUBLICATION 20
 © COPYRIGHT 20 BY - ALL RIGHTS RESERVED.

LOC	DIST	REVISIONS			
P	LTR	DESCRIPTION	DATE	DWN	APVD
GP	00	-	SEE SHEET 1	-	-



PANEL CUT-OUT
 COMPONENT SIDE

THIS DRAWING IS A CONTROLLED DOCUMENT.		DWN R. GRZYBOWSKI 13FEB2012	 TE Connectivity	
DIMENSIONS: INCHES		CHK D. ORRIS 13FEB2012		
TOLERANCES UNLESS OTHERWISE SPECIFIED:		APVD S. FLICKINGER 13FEB2012	NAME SOCKET CONNECTOR W/ PANEL CUT OUT DOMINO	
0 PLC ± 1 PLC ± 2 PLC ±.02 3 PLC ±.010 4 PLC ± ANGLES ± FINISH		PRODUCT SPEC -	SIZE A200779	DRAWING NO C-2085997
MATERIAL -		WEIGHT -	RESTRICTED TO -	
CUSTOMER DRAWING			SCALE 2:1	SHEET 2 OF 2

ELCON **DOMINO**