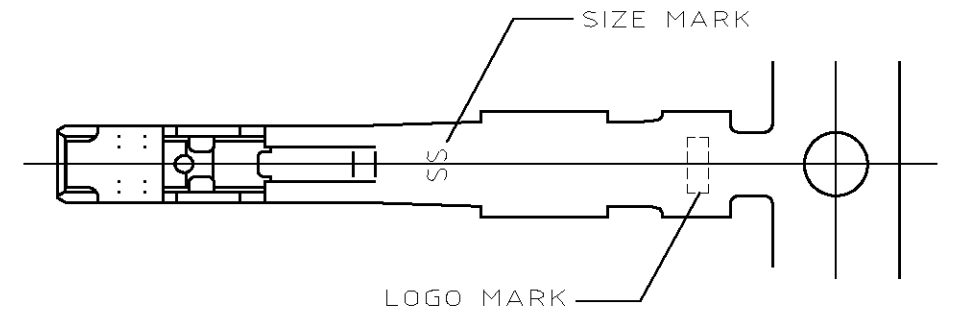
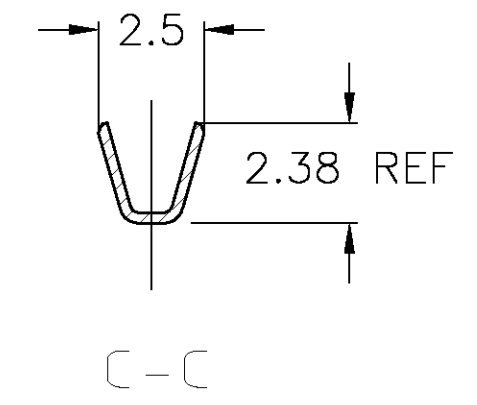
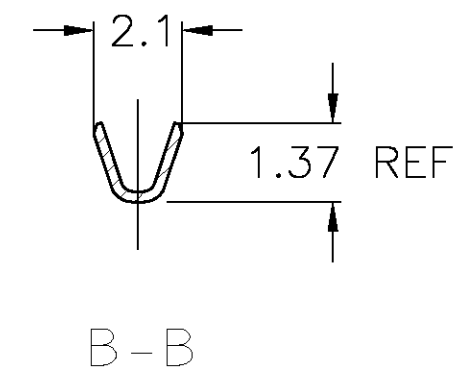
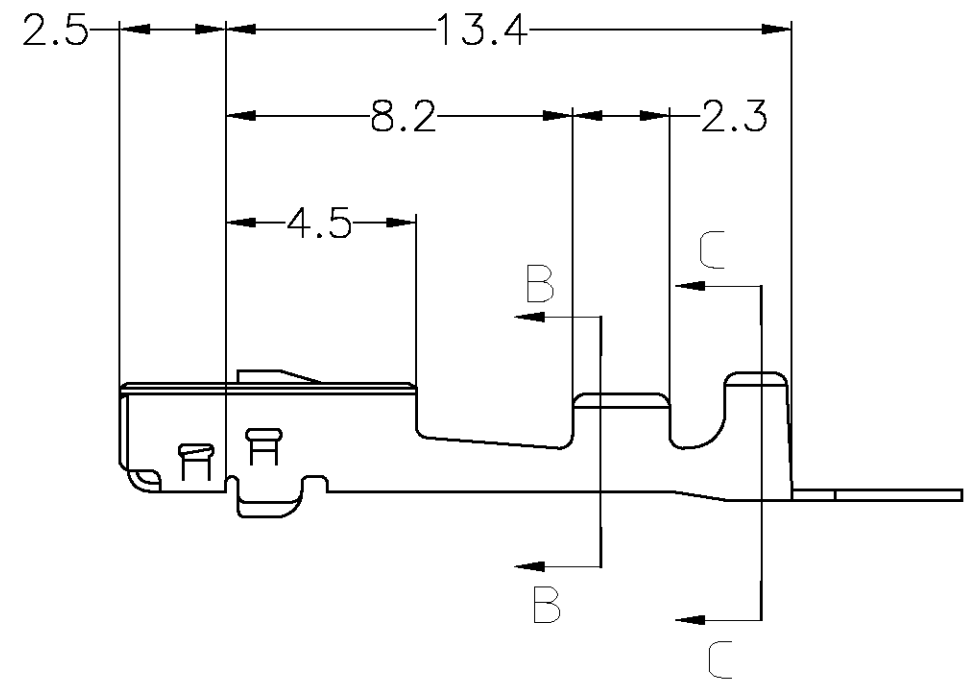
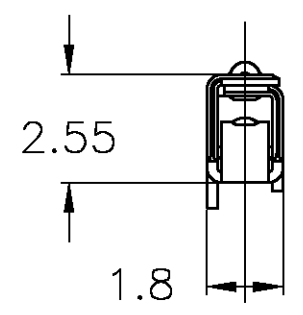
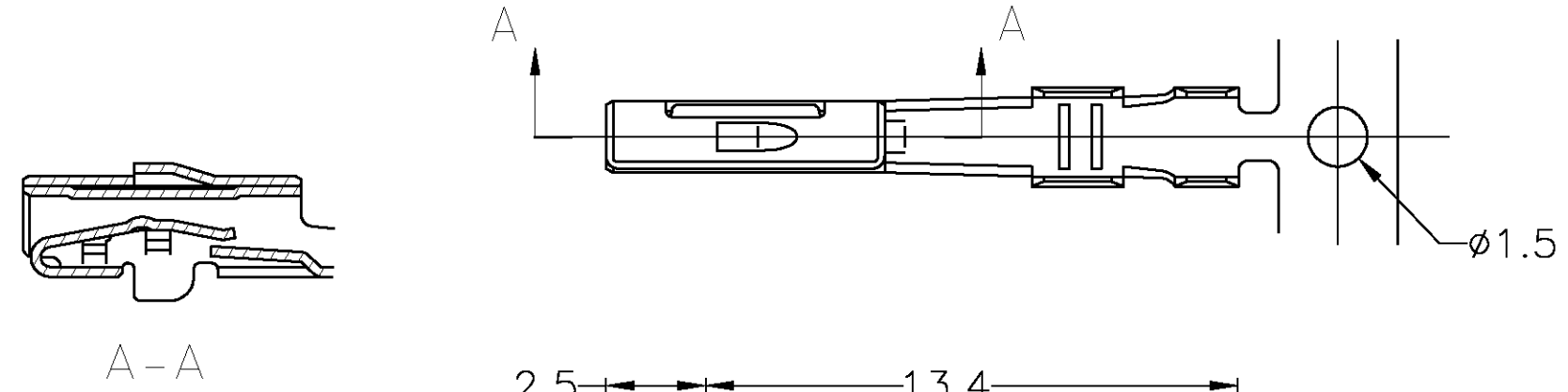


THIS DRAWING IS UNPUBLISHED. RELEASED FOR PUBLICATION
 © COPYRIGHT BY TYCO ELECTRONICS CORPORATION. ALL INTERNATIONAL RIGHTS RESERVED.

LOC	DIST	REVISIONS					
J	-	P	LTR	DESCRIPTION	DATE	DWN	APVD
		A	REVISED	ECR-10-005857	06APR10	SF	KB

1717172-1; AS
 SHOWN
 1717172-1; 本図



1. APPLICABLE WIRE RANGE: CHFUS 0.22mm²
 BUT AN APPLIED CONNECTOR OFTEN MARK
 THE APPLICABLE WIRE RANGE NARROW.
 1. 適用電線: CHFUS 0.22mm²
 但し、使用するコネクタによって適用電線が制限される場合がある。

THIS DRAWING IS A CONTROLLED DOCUMENT.		DWN Y.SAKURAI 25JUL2003	Tyco Electronics Corporation Kawasaki, Japan	
DIMENSIONS: 単位: 耗 mm		CHK E.TAKIZAWA 25JUL2003	NAME 名称 040III UNSEALED CONTACT RECEPTACLE (SS) Sn	
TOLERANCES UNLESS OTHERWISE SPECIFIED: 一般公差		APVD Y.FUJIWARA 25JUL2003	PRODUCT SPEC 製品規格	
0 PLC ± 0.2		APPLICATION SPEC 取付適用規格	SIZE 114-5217	CAGE CODE A300779
1 PLC ± 0.25		WEIGHT 0.25g	DRAWING NO 番号 C-1717172	
2 PLC ± 0.3		CUSTOMER DRAWING		
3 PLC ± -		SCALE 尺度 5:1	SHEET 1 OF 1	REV A
4 PLC ± -				
ANGLES ± 3'				
MATERIAL 材料 Cu ALLOY	FINISH 仕上 PRE-TIN			