

4

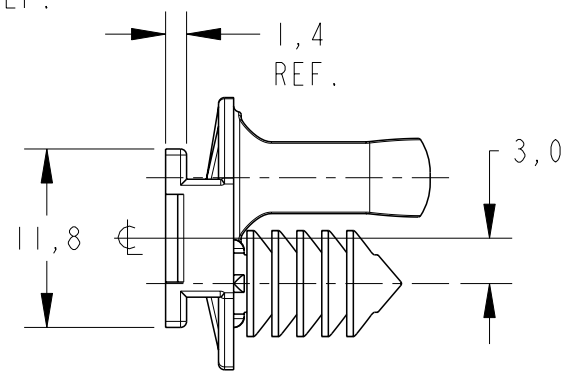
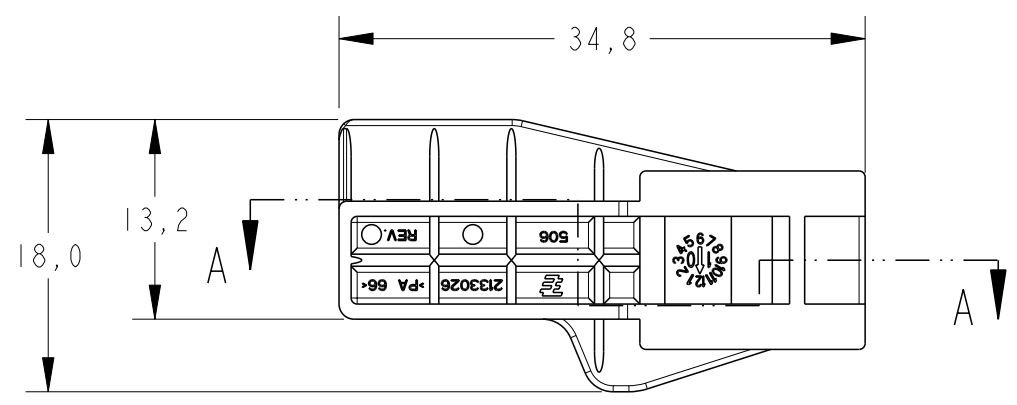
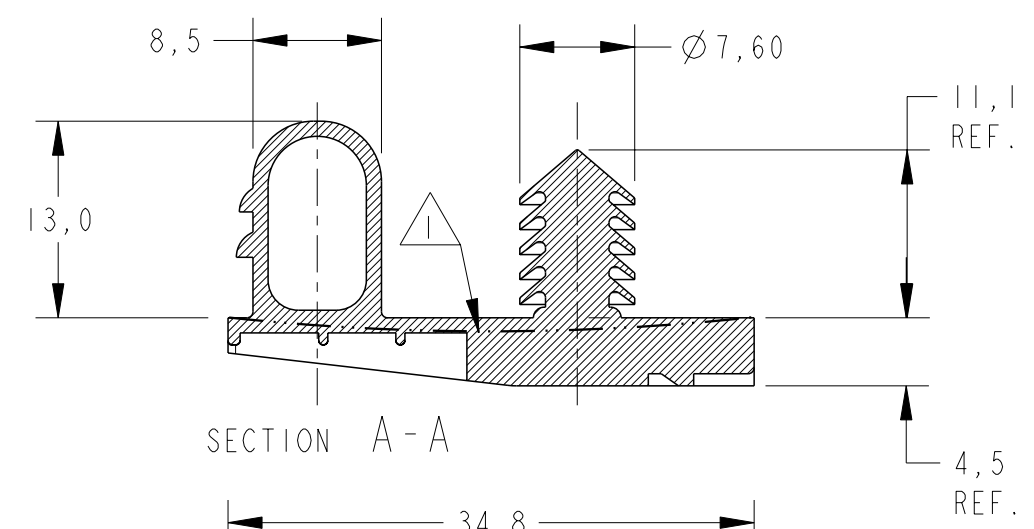
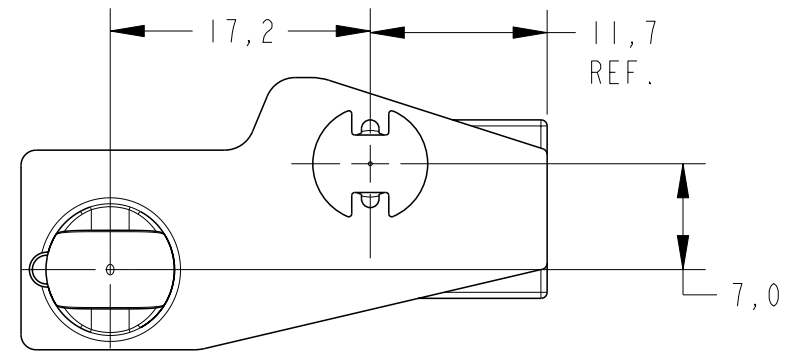
3

2

1

THIS DRAWING IS UNPUBLISHED. RELEASED FOR PUBLICATION. ALL RIGHTS RESERVED.

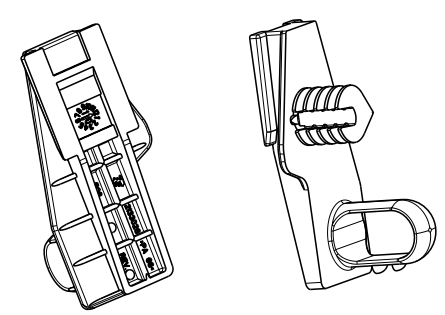
LOC	DIST	REVISIONS			
P	LTR	DESCRIPTION	DATE	DWN	APVD
AP	-	A	CHANGE STATUS ECO-11-019039	19SEP2011	NCL WAO



- 1 - EMPENAMENTO PERMITIDO: 0.4 MÁX. 1 - WARPAGE PERMITTED: 0.4 MAX.
- 2 - FURO PADRÃO DE MONTAGEM:
CHRISTMAS TREE: 7,0±0,2mm;
PINO GUIA: 9,0±0,2mm;
- 3 - ESPESSURA DA CHAPA: 0.56 A 5.10mm. 3 - PLATE THICKNESS: 0.56 TO 5.10mm

GRAVAÇÃO MARKING
LOGOTIPO TE TE LOGO
CODIGO DO PAÍS PRODUTOR MANUFACTURE CODE
CÓDIGO DATADOR DATE CODE
NÚMERO COMPONENTE TE TE COMPONENT NUMBER
NOMENCLATURA MATERIAL MATERIAL NOMENCLATURE
REV+ LETRA REV. DA PEÇA REV. + PART REV. LETTER
NÚMERO CAVIDADE CAVITY NUMBER

—	NATURAL	PA 6.6	2133026-1
RAW MAT'L NO	FINISH	MATERIAL	PART NUMBER



PERSPECTIVE VIEW
SCALE 1:1



THIS DRAWING IS A CONTROLLED DOCUMENT.		DWN E. LOPES 28MAY2010	 TE Connectivity			
DIMENSIONS: mm		CHK M. A. SARTORI 28MAY2010			NAME	
TOLERANCES UNLESS OTHERWISE SPECIFIED:		APVD W. OLIVEIRA 28MAY2010				
0 PLC ±- 1 PLC ±0,3 2 PLC ±- 3 PLC ±- 4 PLC ±- ANGLES ±1°		PRODUCT SPEC			CHRISTMAS TREE LHD	
MATERIAL SEE TABLE	FINISH SEE TABLE	APPLICATION SPEC	SIZE A3	CAGE CODE 00779	DRAWING NO C-2133026	RESTRICTED TO
CUSTOMER DRAWING			SCALE 5:1	SHEET 1	OF 1	REV A