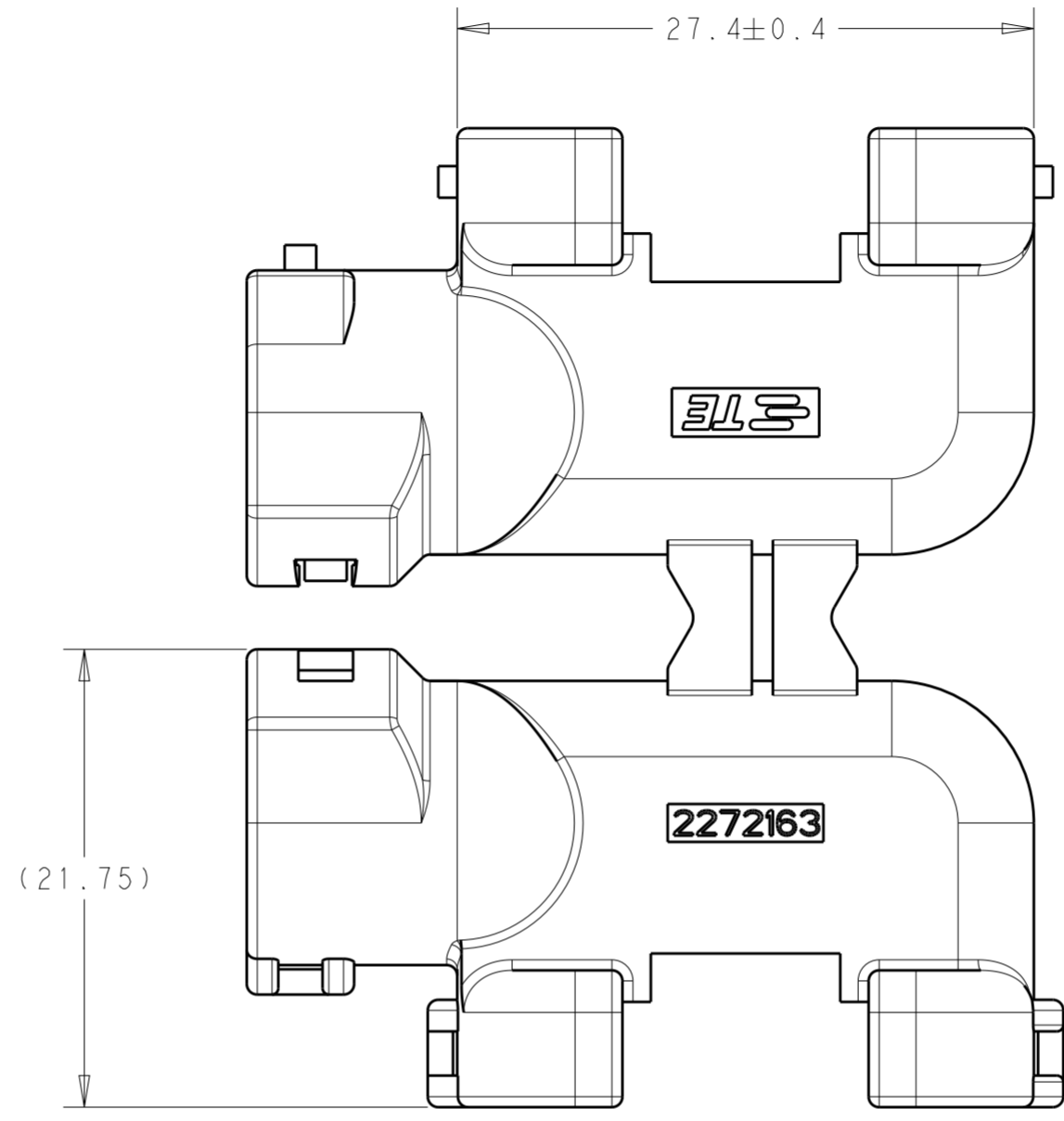
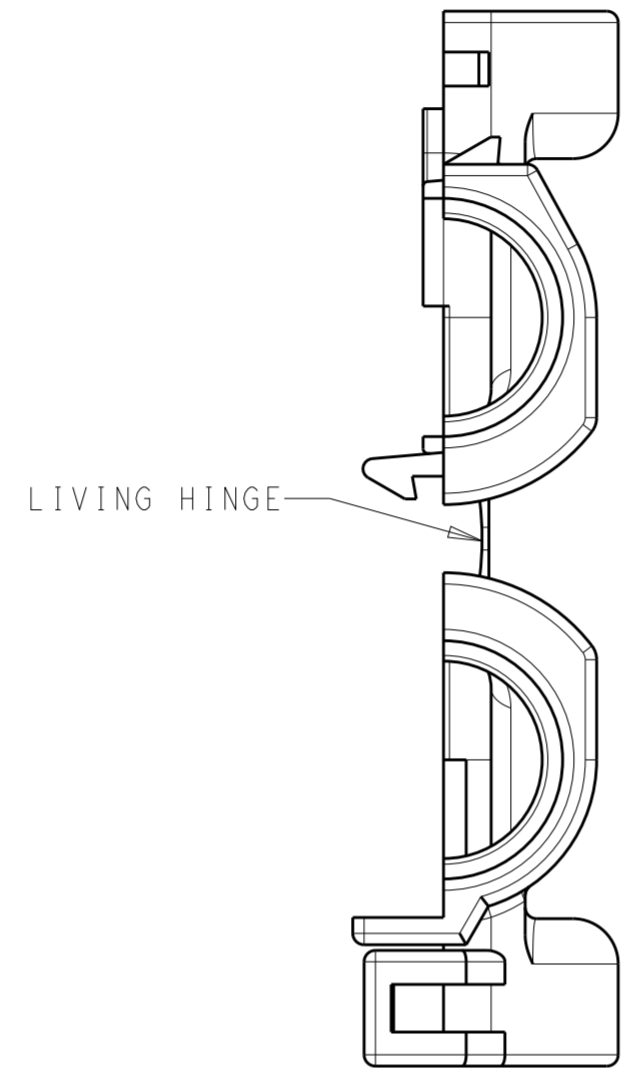
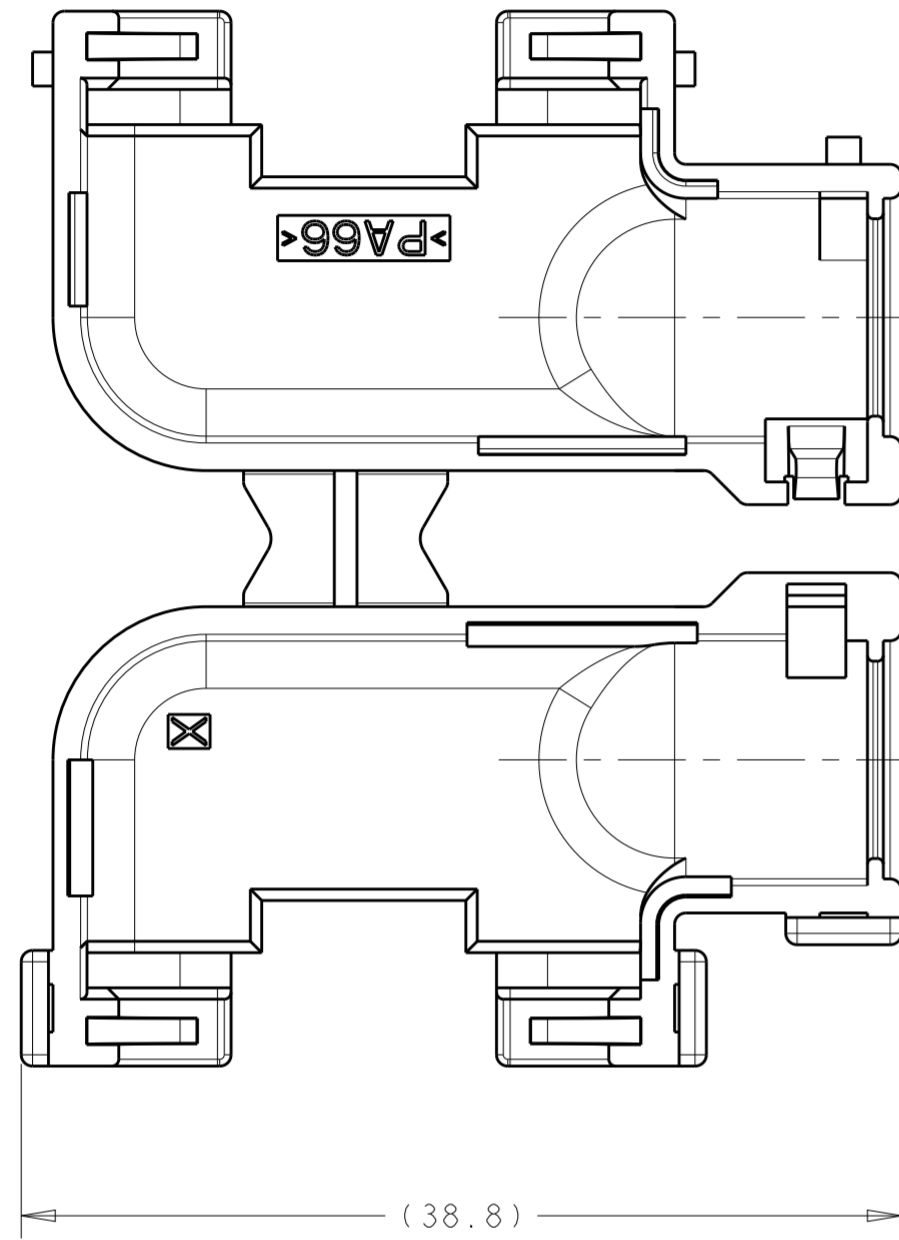
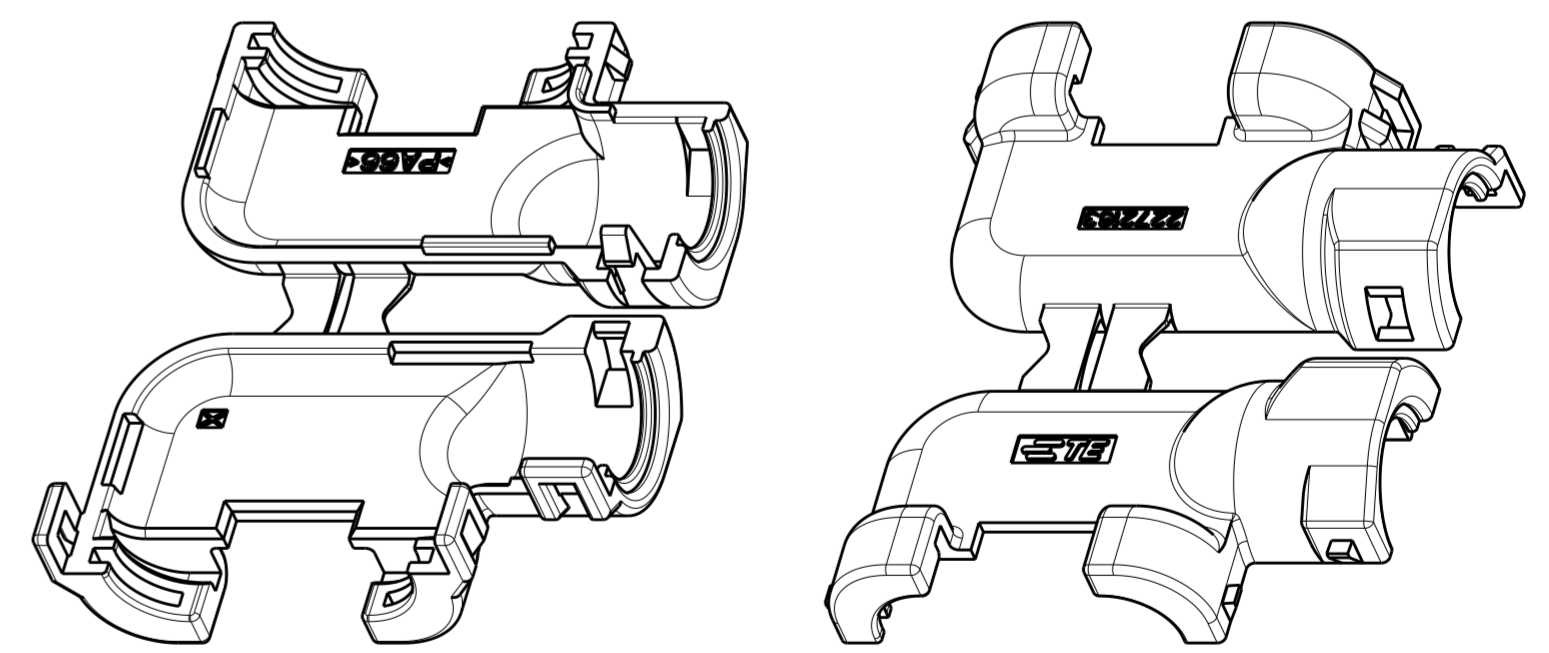
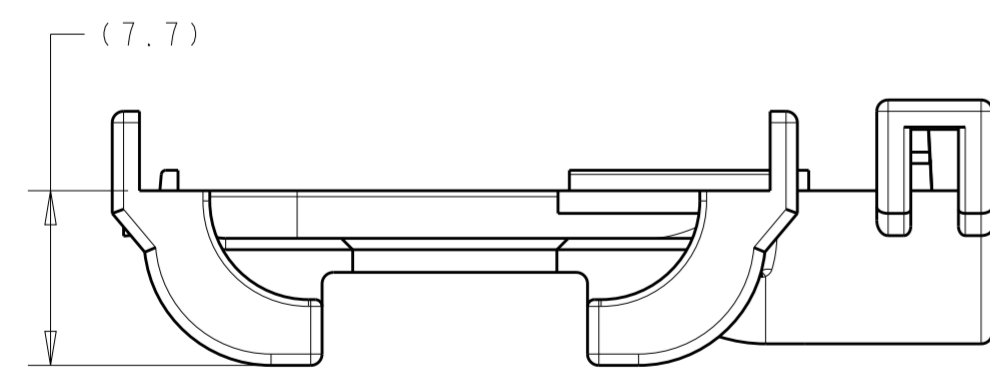


THIS DRAWING IS UNPUBLISHED. RELEASED FOR PUBLICATION 20
 © COPYRIGHT 20 BY - ALL RIGHTS RESERVED.

REVISIONS				
P	LTR	DESCRIPTION	DATE	APVD
A		RELEASED PER ECO-16-002157	16FEB2016	MB MB



- 1. MATERIAL: PA66
COLOR: BLACK
- 2. MATES WITH TE SINGLE-PIECE AND SELECT TWO-PIECE MALE AND FEMALE CONNECTORS.
CONTACT TE CUSTOMER SERVICE FOR SPECIFIC INQUIRIES.
- 3. ACCOMMODATES WIRE CORRUGATED TUBING OF 7mm INNER DIAMETER.



ISOMETRIC VIEWS
SCALE 2:1

2272163-1
PART NUMBER

THIS DRAWING IS A CONTROLLED DOCUMENT.		DWN D. MEAD 11AUG2014	TE Connectivity	
DIMENSIONS:		CHK M. BRENNER 12AUG2014		
mm	TOLERANCES UNLESS OTHERWISE SPECIFIED:	APVD M. BRENNER 12AUG2014	NAME MCON WIRE DRESS COVER 4P RIGHT ANGLE	
0 PLC ±	1 PLC ±0.3	PRODUCT SPEC	SIZE	RESTRICTED TO
2 PLC ±0.10	3 PLC ±	APPLICATION SPEC	A200779	-
4 PLC ±	ANGLES ±1°	WEIGHT	C-2272163	SCALE 3:1 SHEET 1 OF 1 REV A
MATERIAL	FINISH	CUSTOMER DRAWING		