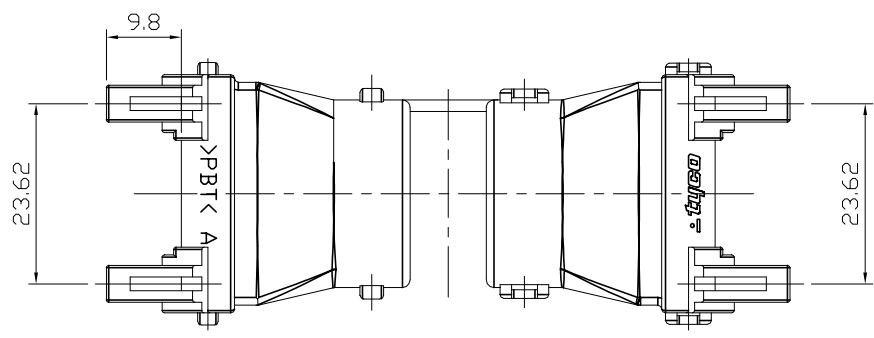
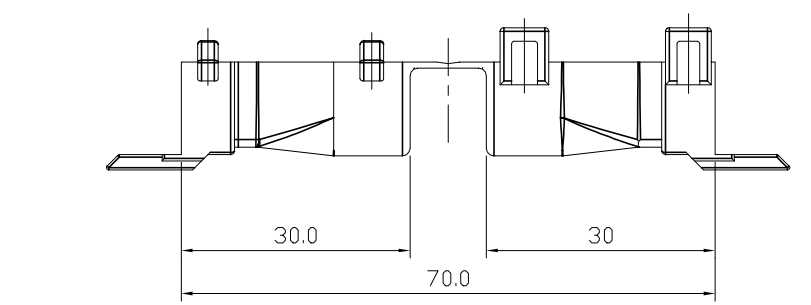
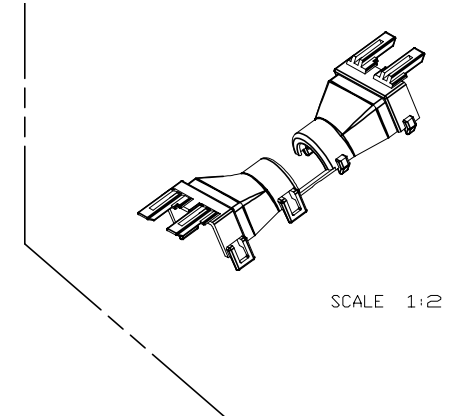
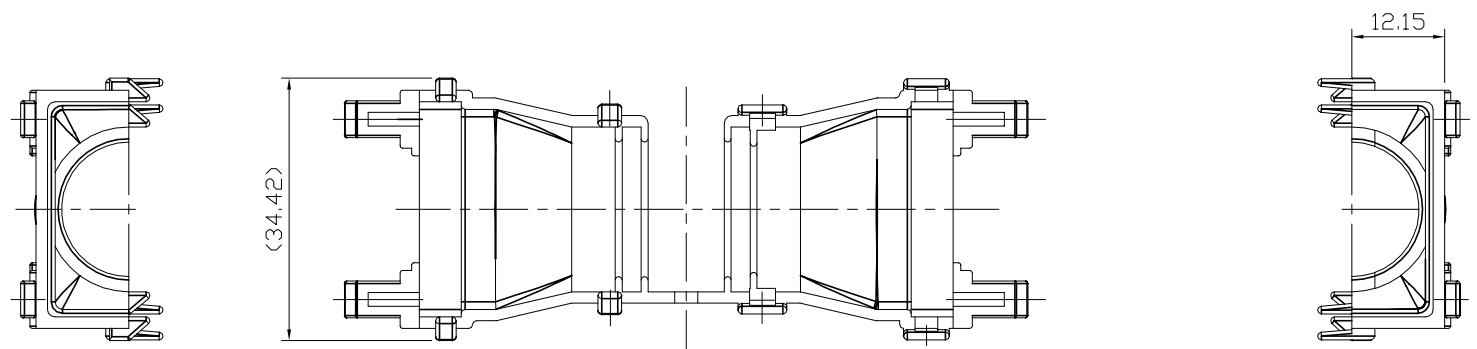


REVISIONS

| P | LTR | DESCRIPTION | DATE | DWN | APVD |
|---|-----|-------------|---------------|-----------|---------|
| | A1 | REVISED | ECR-20-006478 | 07SEP2020 | PSJ SPB |



NOTES;

1. GENERAL TOLERANCE IS ± 0.3 , $\pm 3^\circ$
2. APPLICABLE PLUG HSG : X-1438617-X, X-1438618-X, X-1438619-X, X-1438620-X, X-1438679-X
3. APPLICABLE CORRUGATE TUBE : $\phi 16$ mm
4. APPLICATION TEST SPEC. : MS210-06C (EXCEPT 4.4)

| | | | | |
|----------|--------------------------|----------|-------------|-------------|
| (A) | WATER BLUE(RAL 5021) | PBT | COVER HSG | 1-1743235-6 |
| (A) | SIGNAL BLUE(RAL 5005) | PBT | COVER HSG | 1-1743235-5 |
| (A) | TRAFFIC PURPLE(RAL 4006) | PBT | COVER HSG | 1-1743235-4 |
| (A) | DUSTY GRAY(RAL 7037) | PBT | COVER HSG | 1-1743235-3 |
| | PURPLE VIOLET(RAL 4007) | PBT | COVER HSG | 1-1743235-2 |
| OBSOLETE | BEIGE (RAL 1001) | PBT | COVER HSG | 1-1743235-1 |
| | ORANGE | PBT | COVER HSG | 0-1743235-9 |
| OBSOLETE | LIGHT BLUE (RAL 5012) | PBT | COVER HSG | 0-1743235-8 |
| | MOSS GREEN (RAL 6005) | PBT | COVER HSG | 0-1743235-7 |
| OBSOLETE | RED | PBT | COVER HSG | 0-1743235-6 |
| OBSOLETE | YELLOW | PBT | COVER HSG | 0-1743235-5 |
| OBSOLETE | CLAY BROWN (RAL 8003) | PBT | COVER HSG | 0-1743235-4 |
| | LIGHT GRAY (RAL 7035) | PBT | COVER HSG | 0-1743235-3 |
| | BLACK | PBT | COVER HSG | 0-1743235-2 |
| | NATURAL | PBT | COVER HSG | 0-1743235-1 |
| | COLOR | MATERIAL | DESCRIPTION | P/N |

| | | | | | |
|--|--|---|-------|------------------------|--|
| THIS DRAWING IS A CONTROLLED DOCUMENT. | | DWN | - | | |
| | | CHK | - | | |
| | | APVD | - | | |
| | | PRODUCT SPEC | - | | |
| | | APVD | - | | NAME COVER HSG FOR ACU CONNECTOR 40POS. |
| | | APPLICATION SPEC | - | | |
| | | WEIGHT | 0 | A3 | CAGE CODE 00779 DRAWING NO. C-1743235 |
| | | CUSTOMER DRAWING | SCALE | FREE | |
| DIMENSIONS: mm | | TOLERANCES UNLESS OTHERWISE SPECIFIED: 0 PLC $\pm -$ 1 PLC $\pm -$ 2 PLC $\pm -$ 3 PLC $\pm -$ 4 PLC $\pm -$ ANGLES $\pm -$ | | RESTRICTED TO - | |
| MATERIAL SEE TABLE | | FINISH - | | SHEET 1 of 1 REV A1 | |