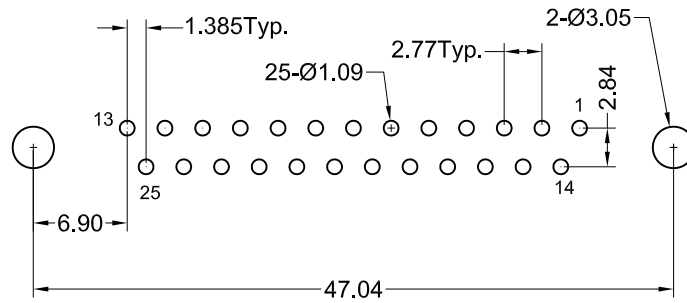


2-#4-40 UNC
Riveted threaded insert



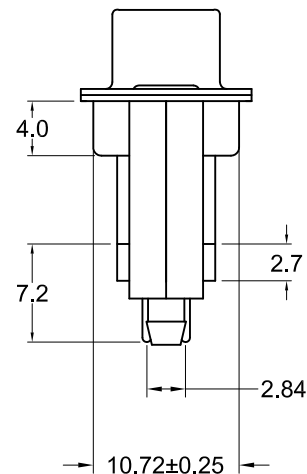
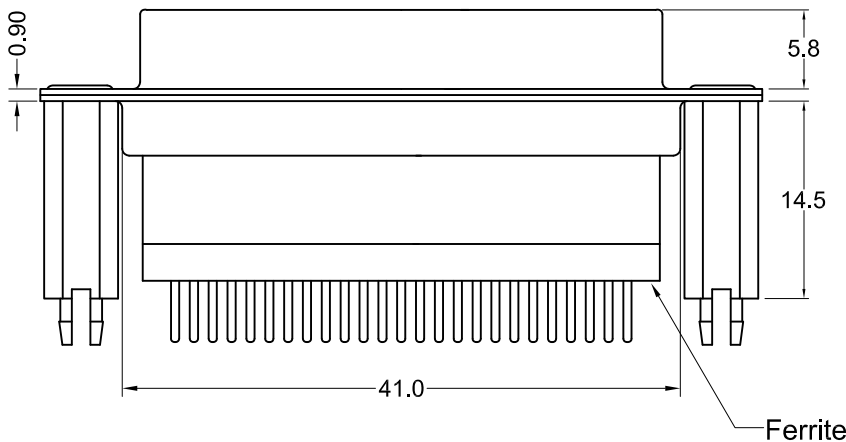
RECOMMENDED PCB LAYOUT
(Top View)

Material And Finish

- Shell: Steel, Nickel Plated
- Insulator: PBT with Glass-Fiber Reinforcement
UL 94V-0 Rated
Color-Black
- Contact Material:
Socket- Brass
- Contact Construction:
Precision Machined
- Contact Plating Options:
Standard Option:
Gold Flash over Nickel on
Entire Contact

Specifications

- Rated Current: 2A
- Rated Voltage: 30V RMS
- Dielectric Withstanding Voltage:
1000V (rms) AC for 1 minute
- Insulation Resistance:
more than 1000 Megohm
at 500V DC
- Contact Resistance:
13 milliohm max.
- Temperature Rating:
-55°C to +105°C



Ferrite Specifications		
Test Frequency	Edge Hole	Inner Hole
30 Mhz	17-27 Ohms	22-30 Ohms
50 Mhz	22-30 Ohms	29-37 Ohms
100 Mhz	29-34 Ohms	35-40 Ohms

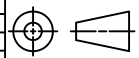


Tolerances
X.X ± 0.25
X.XX ± 0.15
Unless Stated Otherwise

REV.	DATE	DESCRIPTION	REV. BY	CHK. BY	DRAWN BY	DATE
A1	03/31/06	New Drawing	R. Aguirre	H. MA	R. Aguirre	03/31/06
A2	1/21/08	ECO# 07-052	WILL H.	H. MA		
A3	02/22/10	ECO# 10-010	S. Vien	H. MA		
A4	12/31/17	ECO #17-035	J. Elbanna	C. Furumasu		

KF88X-BC-25S-BR

Vertical D25 Female, Hi-Prof, Mach Pins
Ferrite w/ boardlock, RoHS Compliant



UNITS
mm