

GEN. ST.	01		02		03		04		05		06		07		08		0D		50		60		70		80		90				
INT. ST.	10	11	12	13	14	18	20	31	32	33	34	38	39	40	42	43	44	45	46	48	56	70	72	73	75	76	81	82	83	84	88

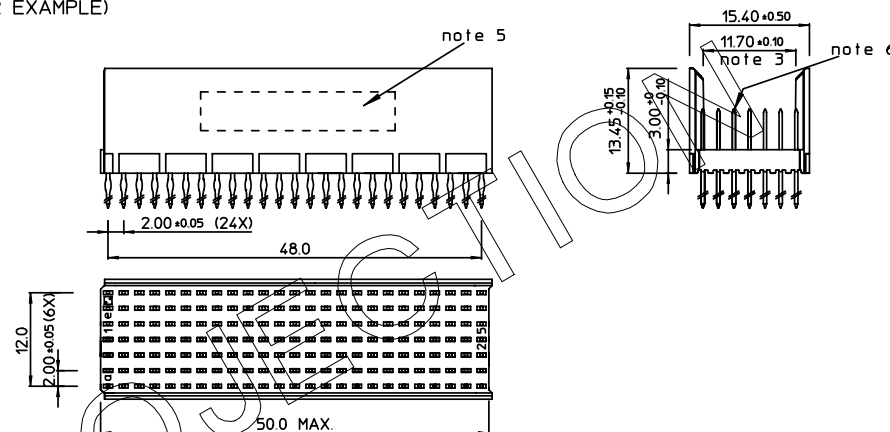
REV.	DATE	DESCRIPTION	BY	C 'K'D'
A	2001-09-14	CONVERSION REVISION 03	KN	
B	2002-05-28	EC B20086	MF	
C	2005-10-20	105-0201	VIVEK	BKP
D	2006-08-09	106-0145	VIVEK	BKP

### LOADING PATTERN MATING SIDE

f	6	6	6	6	6	6	6	6	6	6	6	6	6	6	6	6	6	6	6	6	6	6	6	6	6	6	6	6	
e	6	5	5	6	5	5	G	A	A	A	A	A	A	5	5	5	5	5	5	5	5	5	5	5	5	5	5	5	5
d	6	5	5	6	5	5	G	A	A	A	A	A	A	5	5	5	5	5	5	5	5	5	5	5	5	5	5	5	5
c	6	5	5	6	5	5	G	A	A	A	A	A	A	5	5	5	5	5	5	5	5	5	5	5	5	5	5	5	5
b	6	5	5	6	5	5	G	A	A	A	A	A	A	5	5	5	5	5	5	5	5	5	5	5	5	5	5	5	5
a	6	5	5	6	5	5	G	A	A	A	A	A	A	5	5	5	5	5	5	5	5	5	5	5	5	5	5	5	5
z	0	0	0	0	0	0	0	0	0	0	0	0	0	0	0	0	0	0	0	0	0	0	0	0	0	0	0	0	0
POS	0	1	0	5	0	1	0	1	5	0	2	0	1	5	0	2	5	0	1	5	0	2	5	0	1	5	0	2	5

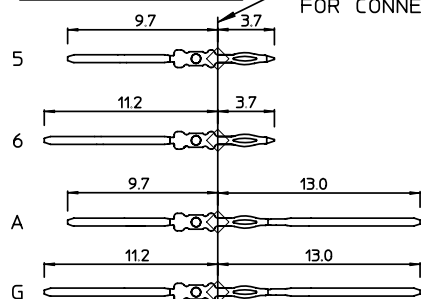
NOTE : NOT TO BE MATED WITH A FREE BOARD CONNECTOR.  
LEVEL 3 IN ROW B IS NOT ALLOWED PER IEC 1076-4-101.

### LOADED CONNECTOR ASSEMBLY (FOR EXAMPLE)

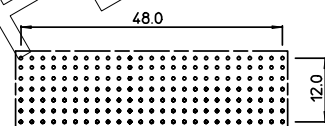


### CONTACT OVERVIEW

SEATING PLANE FOR CONNECTOR



### LAY-OUT P.C.B.-HOLE






LEAD FREE INDICATOR : LF = LEAD FREE (DIGIT 15 & 16)  
HM2P08PKM2P5

PLATING CODE (DIGIT 13 AND 14)  
(REF DWG No. BS,C ,201844,003)

### NOTES:

- THIS PRODUCT IS CSA APPROVED.
- THIS PRODUCT IS UL RECOGNIZED.
- MEASURED AT THE BOTTOM.
- MATERIAL CONTACT: PHOSPHORBRONZE  
HOUSING: CREAM WHITE GLASSFILLED POLYESTER UL-94V0
- CONNECTOR PRINTED WITH P/N AND DATE CODE.
- FOR ACTUAL CONTACT LOADINGS, SEE LOADING PATTERN MATING SIDE.
- SHAPE OF CONNECTOR HOUSING CAN ALTER DEPENDING ON PRODUCTION LOCATION.
- THE PRODUCT (LF) MEETS EUROPEAN UNION DIRECTIVES AND OTHER COUNTRY REGULATIONS AS DESCRIBED IN GS-22-008
- FOR RECOMMENDED PTH DIMENSIONS REFER DRAWING : BS.A ,201572,001

EUROPEAN PROTECTED

1DEC ±0.2 2DEC ±0.1 ANGLES ±1°	APPR.	DATE	SIGN.	MPACS 5+2R STR HDR SG PF ASSY TYPE B
	DRAFT	2000-10-02	M.Fret	CAT. No. HM2P08PKM2P5----
WE RESERVE THE RIGHT TO CHANGE DIMENSIONS OR REQUIREMENTS WITHOUT PRIOR NOTICE.	CHECKED			SCALE
	PROD. MGR.			 www.fciconnect.com
ALL DIMENSIONS IN MM	PR.ENG.MGR.			
	PR.MGT.MGR.			
 	REFERENCES			BS,C ,202788,050 DRAWING No. CUSTOMER DRAWING REVISION D

THIS IS OUR EXCLUSIVE PROPERTY. IT IS NOT TO BE COPIED, REPRINTED OR DISCLOSED TO A THIRD PARTY, NOR USED FOR MANUFACTURING WITHOUT OUR WRITTEN CONSENT, AND HAS TO BE RETURNED TO US IN CASE OF NO USAGE

DIT IS ONZE EIGENDOM EN HEG NOCH HEGEMAKT, HERDRUKT, OVERGEMAKT AAN DERDEN, NOCH VOOR FABRIKATIE GEBRUIKT WORDEN, ZONDER ONZE SCHRIFTELIJKE TOELATING. BIJ NIET GEBRUIK IS TERUGZENDING VERPLICHT.