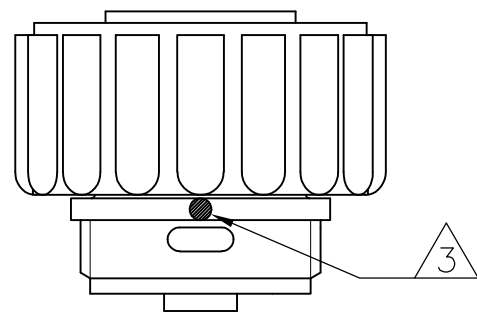
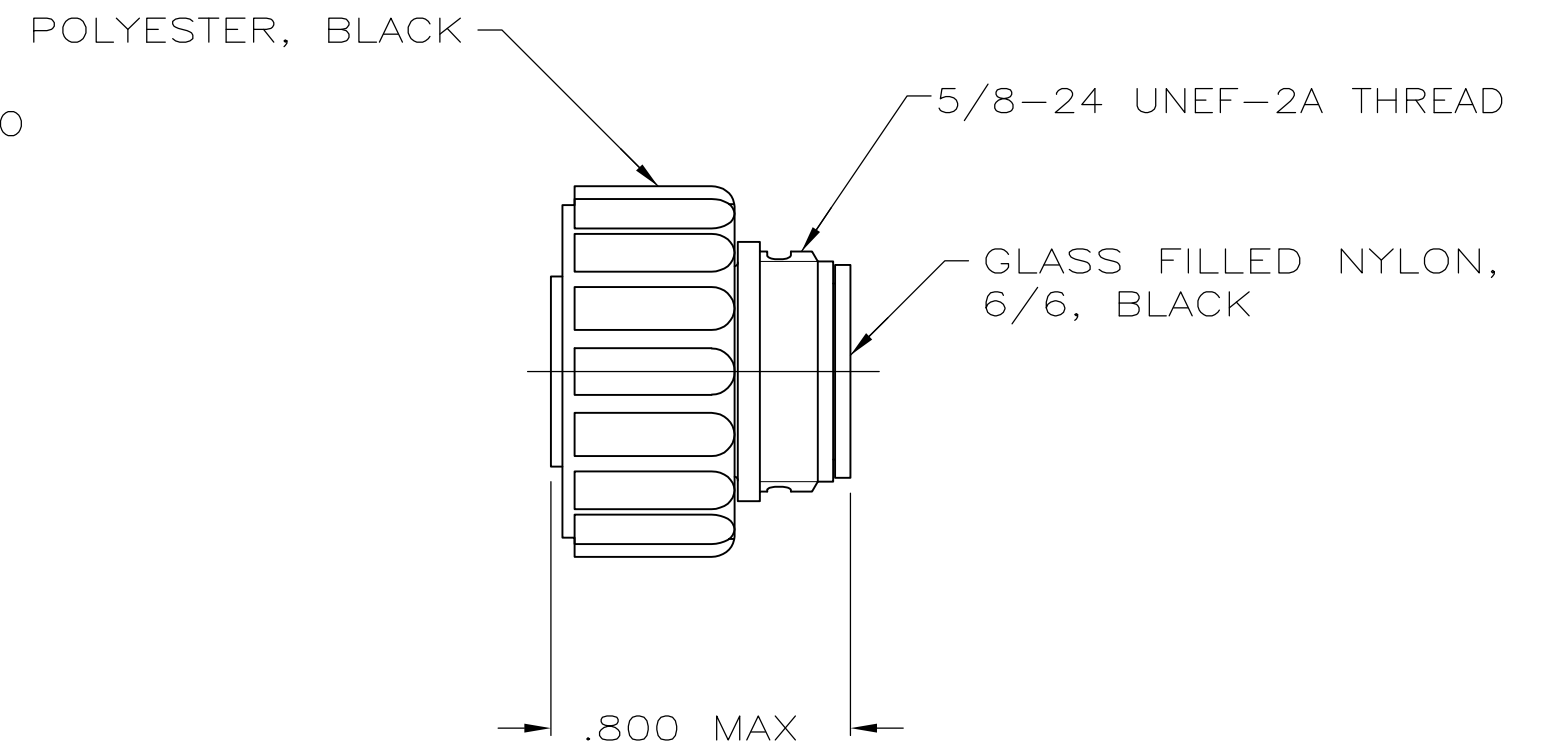
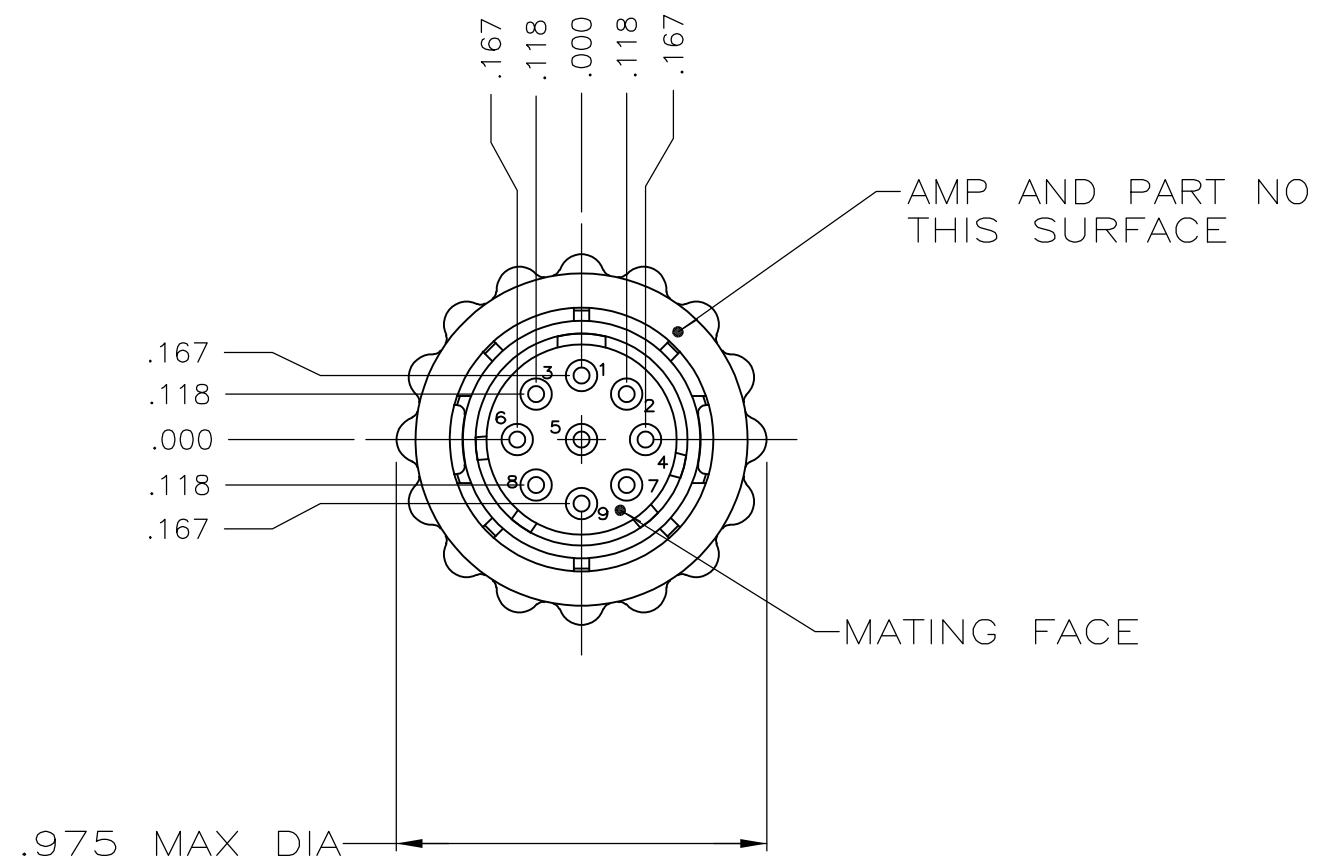


THIS DRAWING IS UNPUBLISHED. RELEASED FOR PUBLICATION
 © COPYRIGHT - By - ALL RIGHTS RESERVED.

REVISIONS				
P	LTR	DESCRIPTION	DATE	APVD
G3		REVISED PER ECO-16-004800	10SEP2016	NK MZ



3	OBSOLETE	STANDARD	206485-3
5	OBSOLETE	SMALL PACK	206485-2
		STANDARD	206485-1
		PACKAGING	PART NUMBER

- ① CONTACT CAVITIES IDENTIFIED BY CHARACTERS ON FRONT AND REAR FACES OF CONNECTOR.
- 2. WILL ACCEPT (9) SIZE 20 SOCKET CONTACTS.
- ③ WHITE DOT ONLY APPEARS ON 206485-3 ASSEMBLY.
- ④ PRELIMINARY PART NUMBER.
- ⑤ OBSOLETE PARTS: OBSOLETE CIS STREAMLINING PER D.RENAUD/D.SINISI

THIS DRAWING IS A CONTROLLED DOCUMENT.		DWN A.STAUB BG 4/8/91	STE TE Connectivity	
DIMENSIONS: INCHES		CHK W.G.LENKER 7-23-92		
TOLERANCES UNLESS OTHERWISE SPECIFIED:		APVD -	NAME	
0 PLC ± - 1 PLC ± - 2 PLC ± - 3 PLC ± .005 4 PLC ± - ANGLES ± -		PRODUCT SPEC 108-10024	PLUG ASSEMBLY, STD SEX, SERIES 2, 11-9, CPC	
MATERIAL SEE		FINISH -	APPLICATION SPEC -	RESTRICTED TO -
		WEIGHT -	SIZE A3	CAGE CODE 00779
		CUSTOMER DRAWING	DRAWING NO C-206485	REV G3
			SCALE 2:1	SHEET 1 OF 1