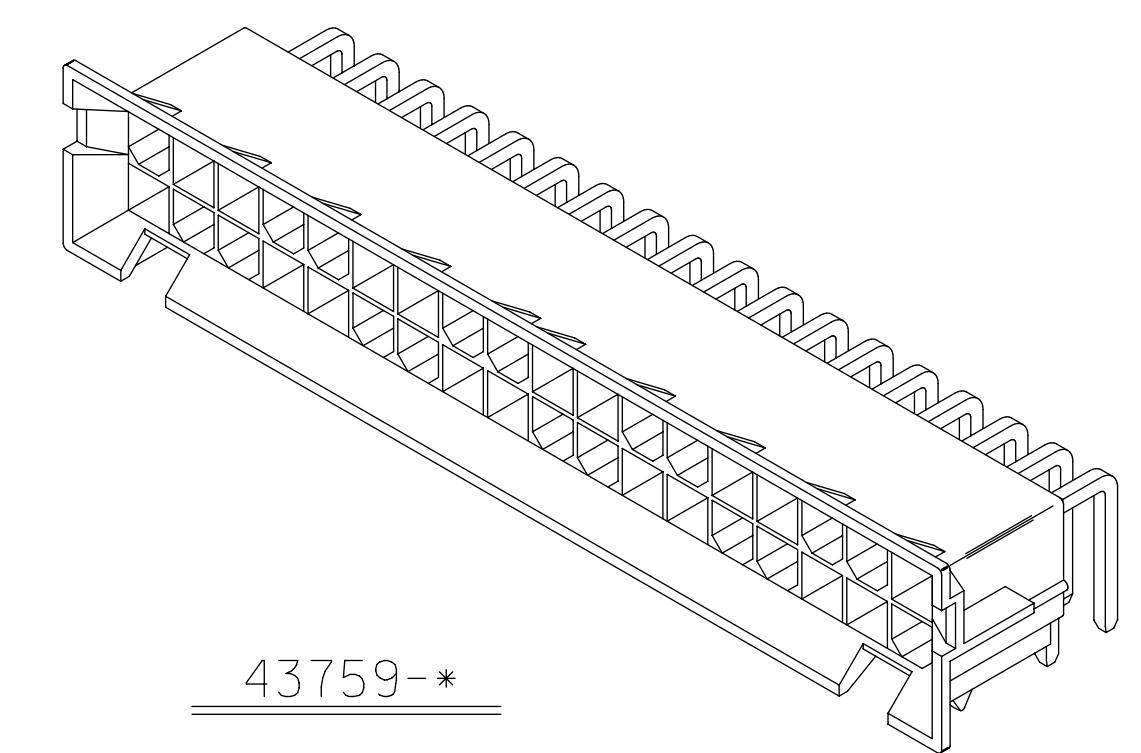
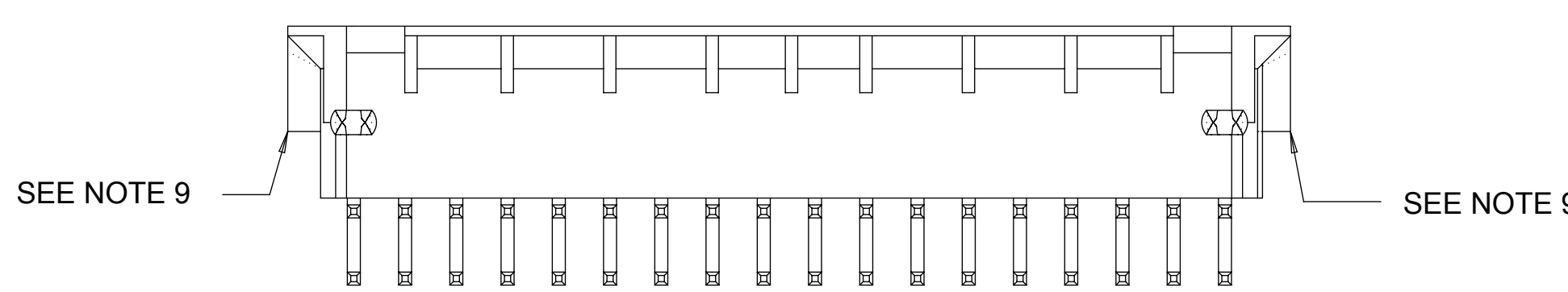
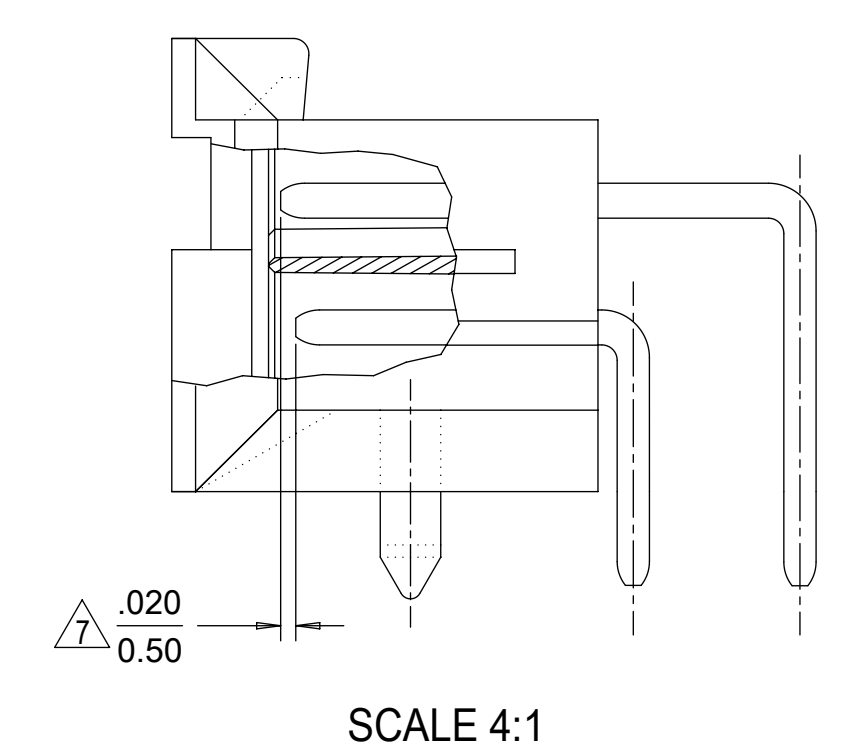
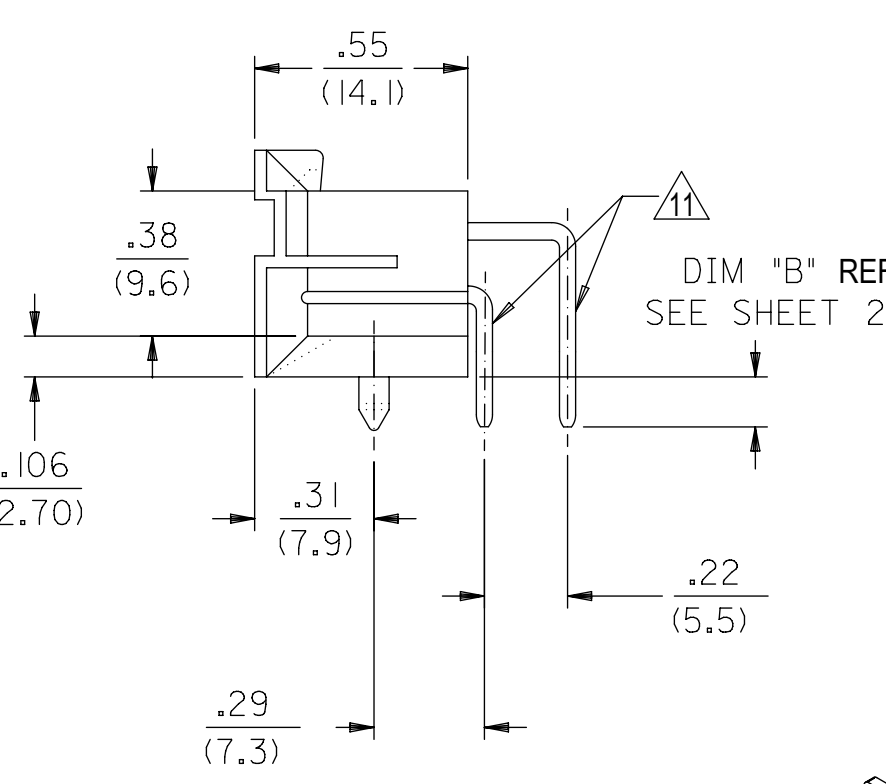
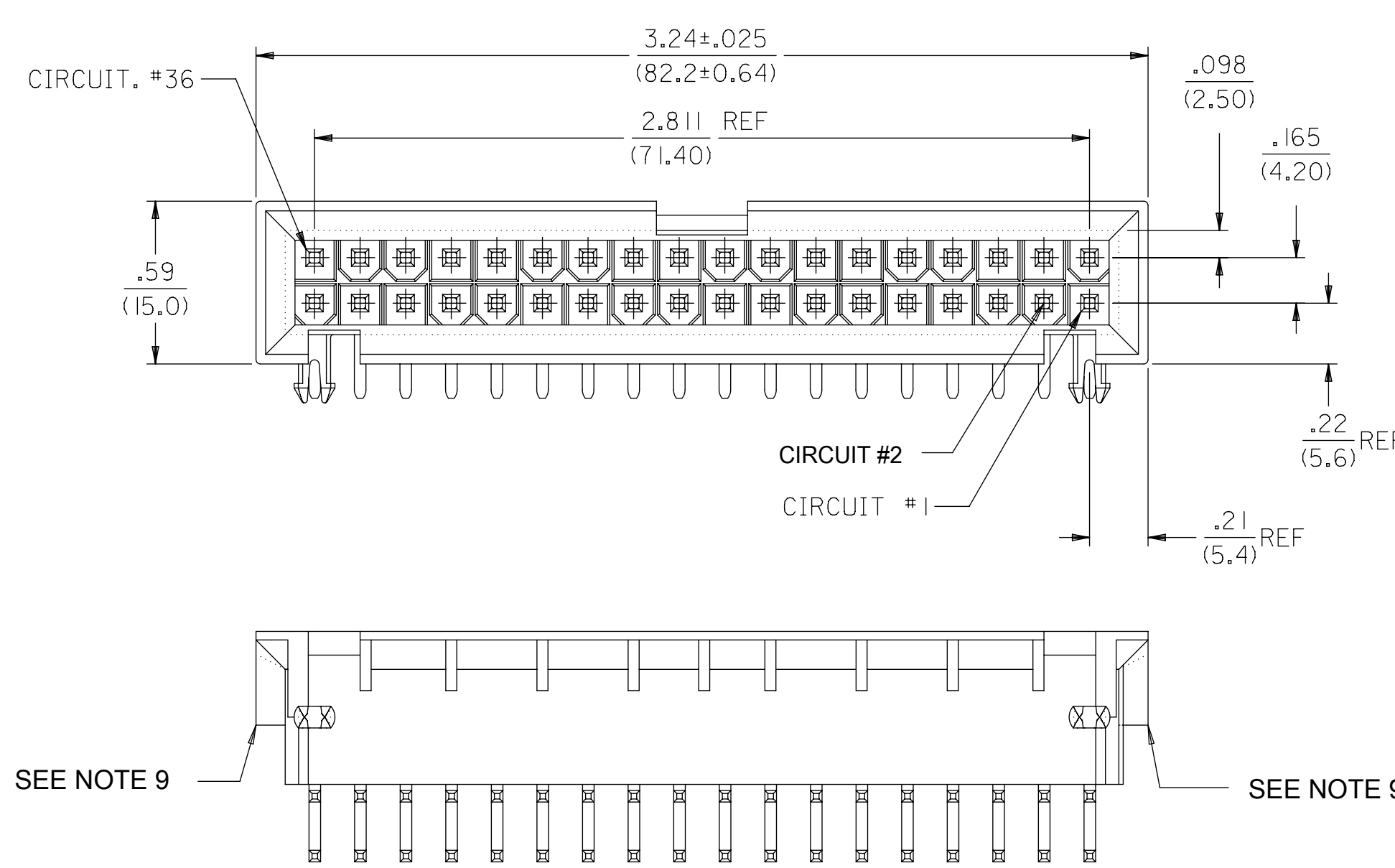
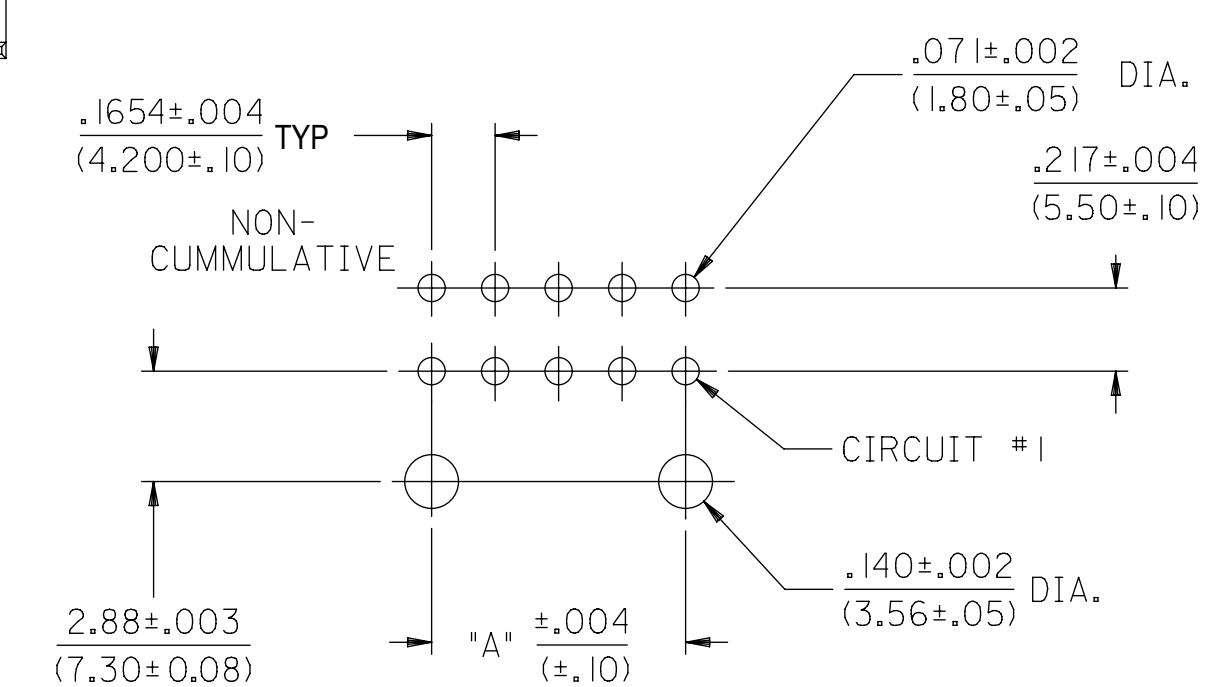


CIRCUIT SIZE	DIM. "A"
36	2.811 (71.40)



- NOTES:
- MATERIAL
HOUSING: "A" = NYLON 6/6, U.L. 94V-2 COLOR: NATURAL.
TERMINAL MATERIAL: BRASS ALLOY
 - FINISH
A = .000100/(.00254) MIN. MATTE TIN OVER
.000050/(.00127) MIN. NICKEL.
 - PRODUCT SPECIFICATION: PS-43759-0001
 - PACKAGING SPECIFICATION: PK-42404-002.
 - PART MATES WITH MINI-FIT JR. RECEPTACLE 43760, 44516.
 - CONNECTOR ASSEMBLIES ARE NOT TO BE MATED OR UNMATED WHILE CIRCUITS ARE LIVE.
 - PARTS PROVIDE .020/0.50 MATE-FIRST/BREAK-LAST FEATURE. IT IS RECOMMENDED TO USE .059/1.50 MATE-FIRST/BREAK-LAST PRODUCT (SEE SDA-43759-*)
 - DISCOLORATION ON THE BANDOLIER CARRIER AREA OF THE PIN IS ACCEPTABLE.
 - PART CONFORMS TO CLASS "B" REQUIREMENTS OF COSMETIC SPECIFICATION PS-45499-002, EXCEPT CLASS "C" ON BOTH SIDE RIBS.
 - PART ALLOWS FOR .050/(1.27) MISALIGNMENT WITH MATING RECEPTACLE IN ANY DIRECTION. SEE MATING CONNECTOR DRAWINGS FOR SPECIFIC ALLOWANCES.



RECOMMENDED HOLE LAYOUT FOR .070/(1.78) MAX. THICK P.C. BOARD

FORMING MARKS ARE ACCEPTABLE

QUALITY SYMBOLS		THIS DRAWING CONTAINS INFORMATION THAT IS PROPRIETARY TO MOLEX ELECTRONIC TECHNOLOGIES, LLC AND SHOULD NOT BE USED WITHOUT WRITTEN PERMISSION				
▽ = 0	▽ = 0	CORRECT 7.3 TOL	GENERAL TOLERANCES (UNLESS SPECIFIED)		DIMENSION UNITS	
▽ = 0	▽ = 0		MM	INCH	SCALE	
▽ = 0	▽ = 0		4 PLACES ±	±	IN/MM	2:1
▽ = 0	▽ = 0		3 PLACES ±	± 0.01	DRWN BY	DATE
▽ = 0	▽ = 0	2 PLACES ±	± 0.25	± 0.015	NNGUYEN 2011/11/22	
▽ = 0	▽ = 0	1 PLACES ±	± 0.38	±	CHK'D BY	DATE
▽ = 0	▽ = 0	0 PLACES ±	±	±	JBELL 2011/11/22	
▽ = 0	▽ = 0				APPR BY	DATE
▽ = 0	▽ = 0				FSMITH 2011/12/09	
▽ = 0	▽ = 0				DRAWING SIZE	THIRD ANGLE PROJECTION
▽ = 0	▽ = 0				C	
▽ = 0	▽ = 0				DRAFT WHERE APPLICABLE MUST REMAIN WITHIN DIMENSIONS	
EC NO: 118622	DRWN: BAPPELDORN	2017/06/26	2017/06/26	2017/06/28	SERIES	
CHKD: JBELL	REV / APPR: FSMITH	A3		43759		MATERIAL NUMBER
				SEE CHART		CUSTOMER
				SD-43759-008		GENERAL MARKET
				PSD		DOC PART
				001		SHEET NUMBER
				1		1 OF 2

