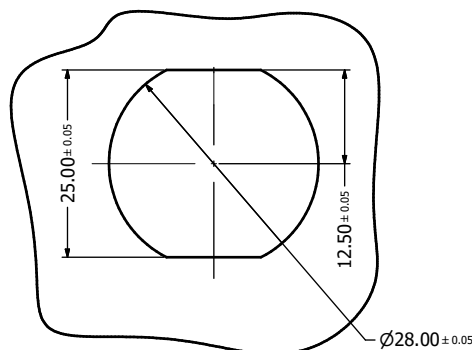
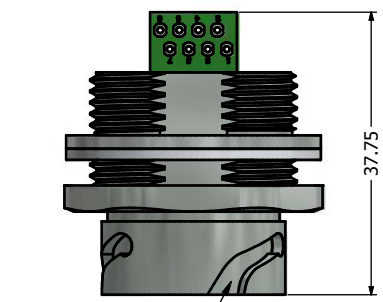


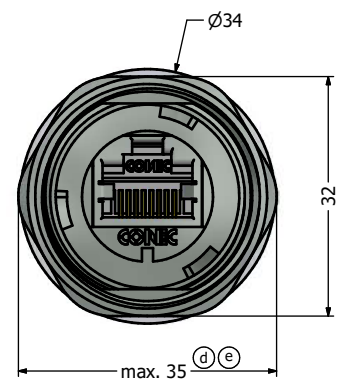
Recommended Single-D (d) Panel Cutout



Recommended Double-D (c) Panel Cutout

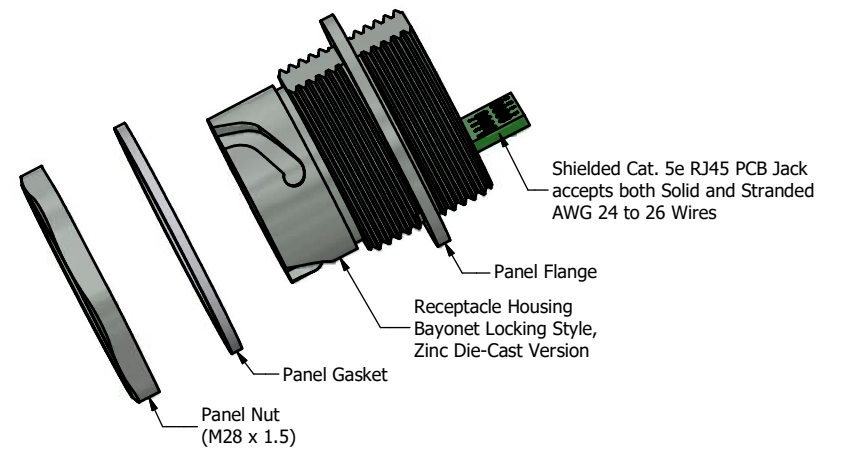


Bayonet Channel x 3



- Notes:**
- Electrical Specifications:
 - Meets EIA/TIA-568-B.2 Cat.5e Specification
 - Contact Resistance: 20mOhm max.
 - Insulation Resistance: 500MOhm min. @ 100 VDC
 - Current Rating: 1.2A max. at 25°C
 - Working Voltage: 100 VDC
 - DWV: 1000 VDC/60s Contact to Contact, 1500 VDC/60s Contact to Metal Shell
 - Operating Temperature: -40°C to +85°C
 - Material and Finish:
 - Receptacle Housing: Zinc Die-cast, Finish: Nickel Plated
 - Panel Nut: Brass, Finish: Nickel Plated
 - Panel Gasket: Silicon, Color: White
 - RJ45 PCB Jack Metal Shell: Copper Alloy, Nickel Plated
 - RJ45 PCB Jack Plastic Housing: Glass filled PBT UL94 V-0, Color: Black
 - RJ45 PCB Jack Contacts: Phosphor Bronze, Finish: 50u" Gold min. over Nickel
 - Connector can be front or rear mounted to a maximum panel thickness of 3.2mm.
 - IP67 rated when fully mated with the appropriate connector
 - RoHS compliant

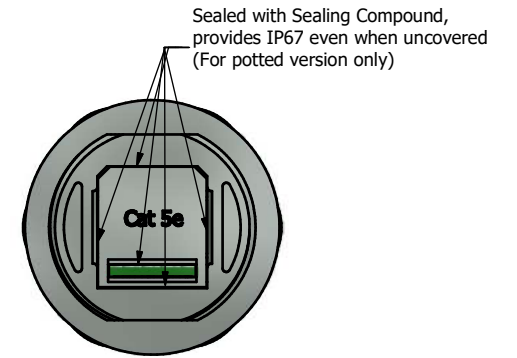
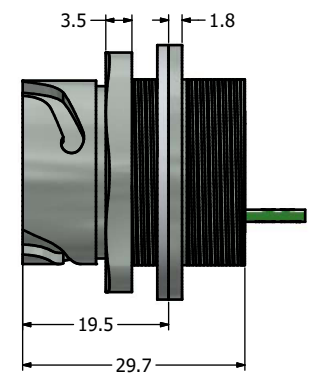
RoHS compliant



Shielded Cat. 5e RJ45 PCB Jack accepts both Solid and Stranded AWG 24 to 26 Wires

Panel Flange
Receptacle Housing
Bayonet Locking Style,
Zinc Die-Cast Version

Panel Nut
(M28 x 1.5)



(b) (d)	Description	Part Number
	Nickel Plated Zinc Die-Cast with Shielded Cat5e RJ45 PCB Jack	17-101784
	Potted Nickel Plated Zinc Die-Cast with Shielded Cat5e RJ45 PCB Jack	17-102184

THIS DRAWING MAY NOT BE COPIED OR REPRODUCED IN ANY MANNER WITHOUT THE WRITTEN PERMISSION OF CONEC CORPORATION. OWNERSHIP AND COPYRIGHT OF CONEC CORPORATION.	Customer:			Tolerance Unless otherwise specified			Scale: NTS	Dim. in mm
	Name	Title	Approval Date	0 PLC ±0.50	1 PLC ±0.38		Name Vincent Ke	Material: See Notes
	1 x e	Ä21-0426	25.10.2021	Bub	2 PLC ±0.25	Title: Receptacle Assembly Kit with Cat. 5e RJ45 PCB Jack Nickel Plated Zinc Die-Cast Version		Drawing No.: 17K1A146 Part No.: SEE TABLE ABOVE
	d	3 x d	Mar/02/2011	Vincent ke	3 PLC ±0.10	Date May 20 Name Vincent Ke		
	c	1 x c	Jan/28/2011	Vincent ke	ANGLES ±3	Date May 20 Name J. Chaudry		
b	3 x b	Dec/16/2010	Vincent ke					
a	original							
Rev.	Changes	Date	Name					