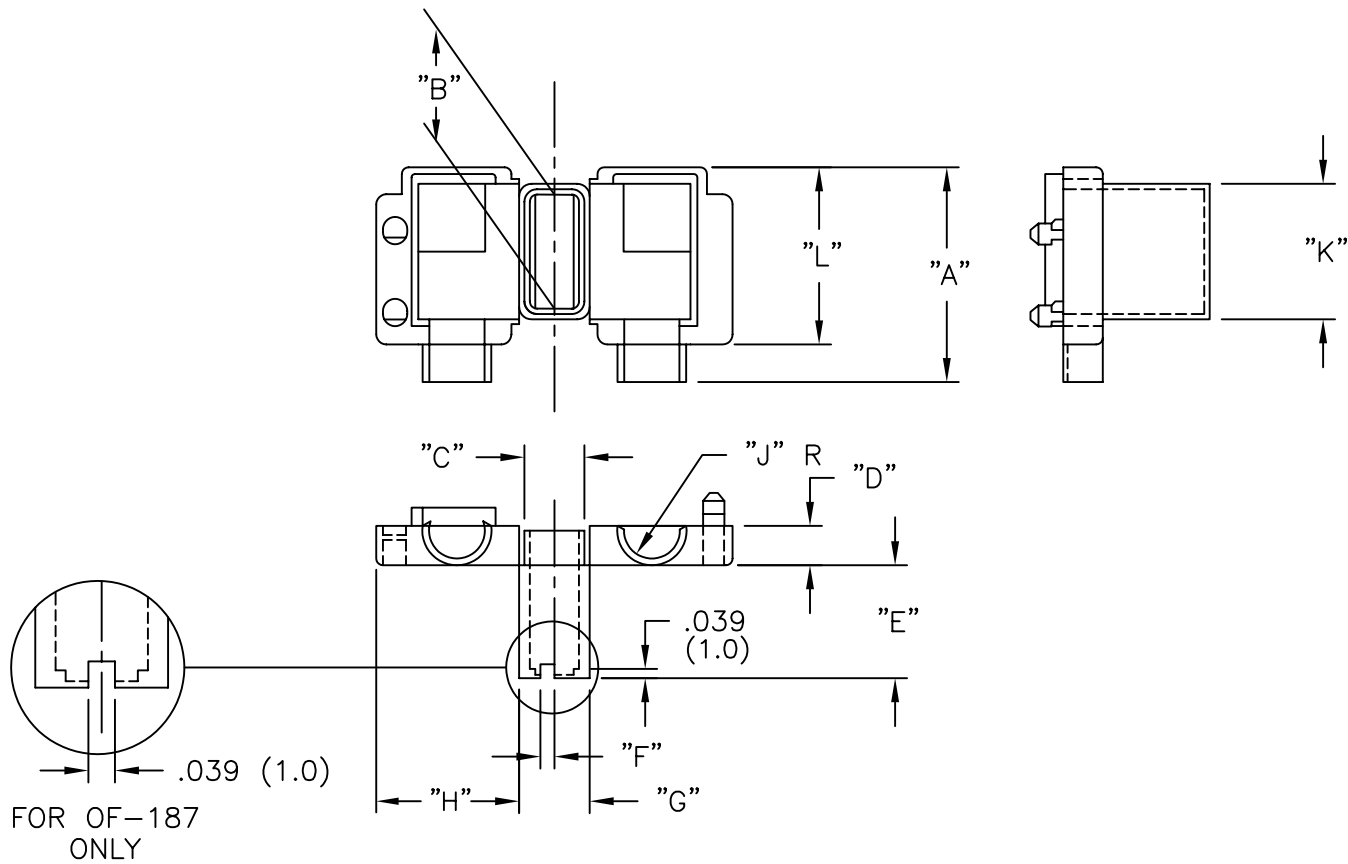


PART NO.	TERMINAL TYPE	WIRE DIA.	"A"	"B"	"C"	"D"	"E"	"F"	"G"	"H"	"J"	"K"	"L"	U.L. CAT. NO.
OF-187	FLAG TYPE 187 SERIES	1/8 (3.2)	.531 (13.5)	.252 (6.4)	.118 (3.0)	.098 (2.5)	.236 (6.0)	.039 (1.0)	.181 (4.6)	.382 (9.7)	.063 (1.6)	.315 (8.0)	.413 (10.5)	61
OF-250	FLAG TYPE 250 SERIES	5/32 (3.8)	.622 (15.8)	.346 (8.8)	.150 (3.8)	.114 (2.9)	.314 (8.0)	.039 (1.0)	.213 (5.4)	.425 (10.8)	.075 (1.9)	.409 (10.4)	.524 (13.3)	60



NOTES:

1. MATERIAL: NYLON 6, RMS-120, UL NO. E53664
2. COLOR: NATURAL.

B	RMS-120 WAS RMS-61; CHANGED FILE NO.	SM 10.25.01
A	RMS-61 WAS RMS-28	PB 102794
REV	DESCRIPTION	ENGR DATE

TITLE: "ONE TOUCH" SLEEVE INSULATOR (OF SERIES)				DWG IN IN (MM)	FINAL	PRINT TYPE
TOLERANCES UNLESS NOTED .XX=±.010 .XXX=±.005 FRAC=±1/64 ANG=±1'	FILE # OF MAT'L: SEE NOTES RE: RICHCO, INC.	DWN: P.B. DT: 05-10-94	APP: DT:	PART # SEE TABLE		CA
RICHCO INC. PO BOX 804238, CHICAGO, 60680 (773) 539-4060						