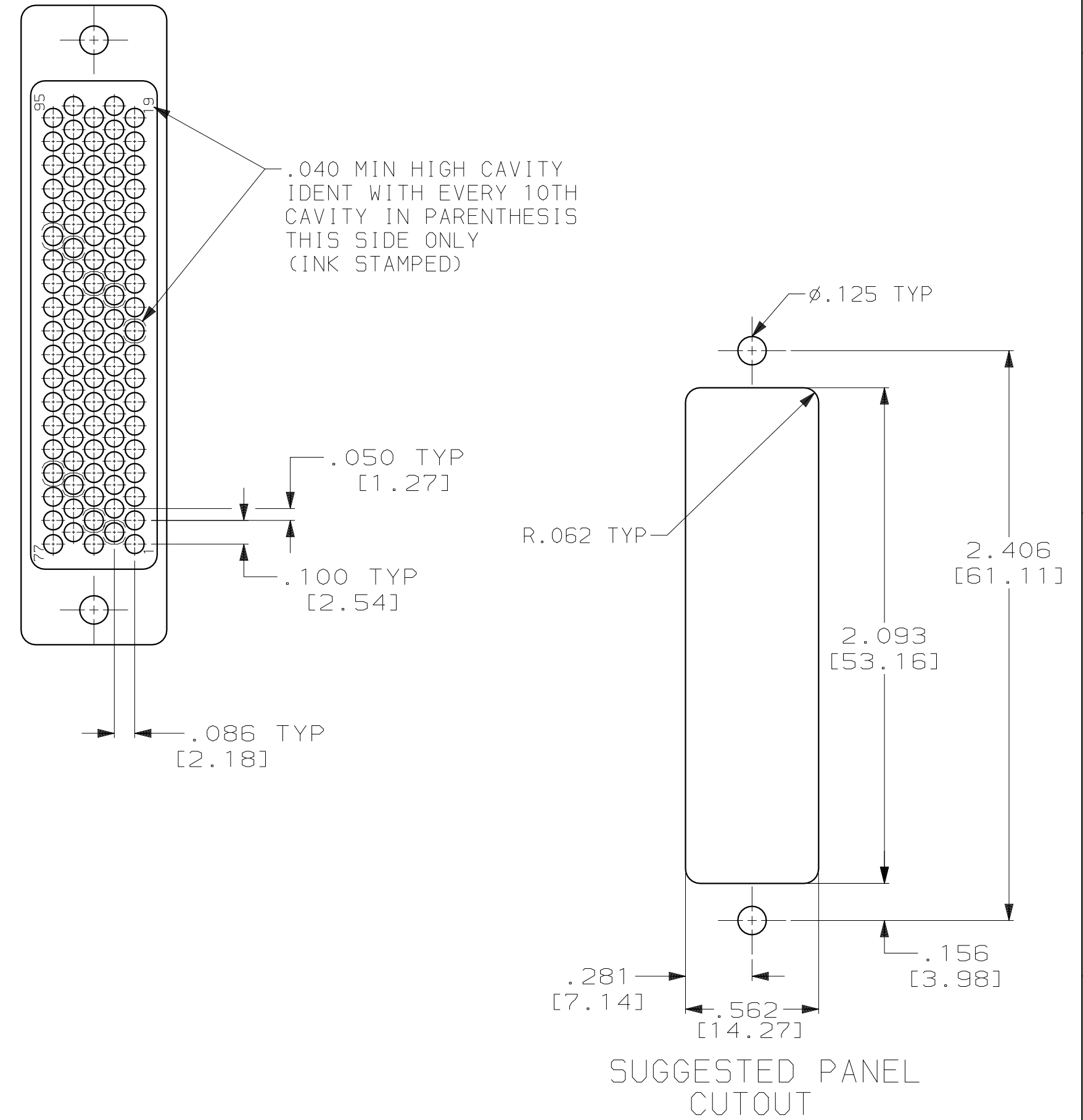
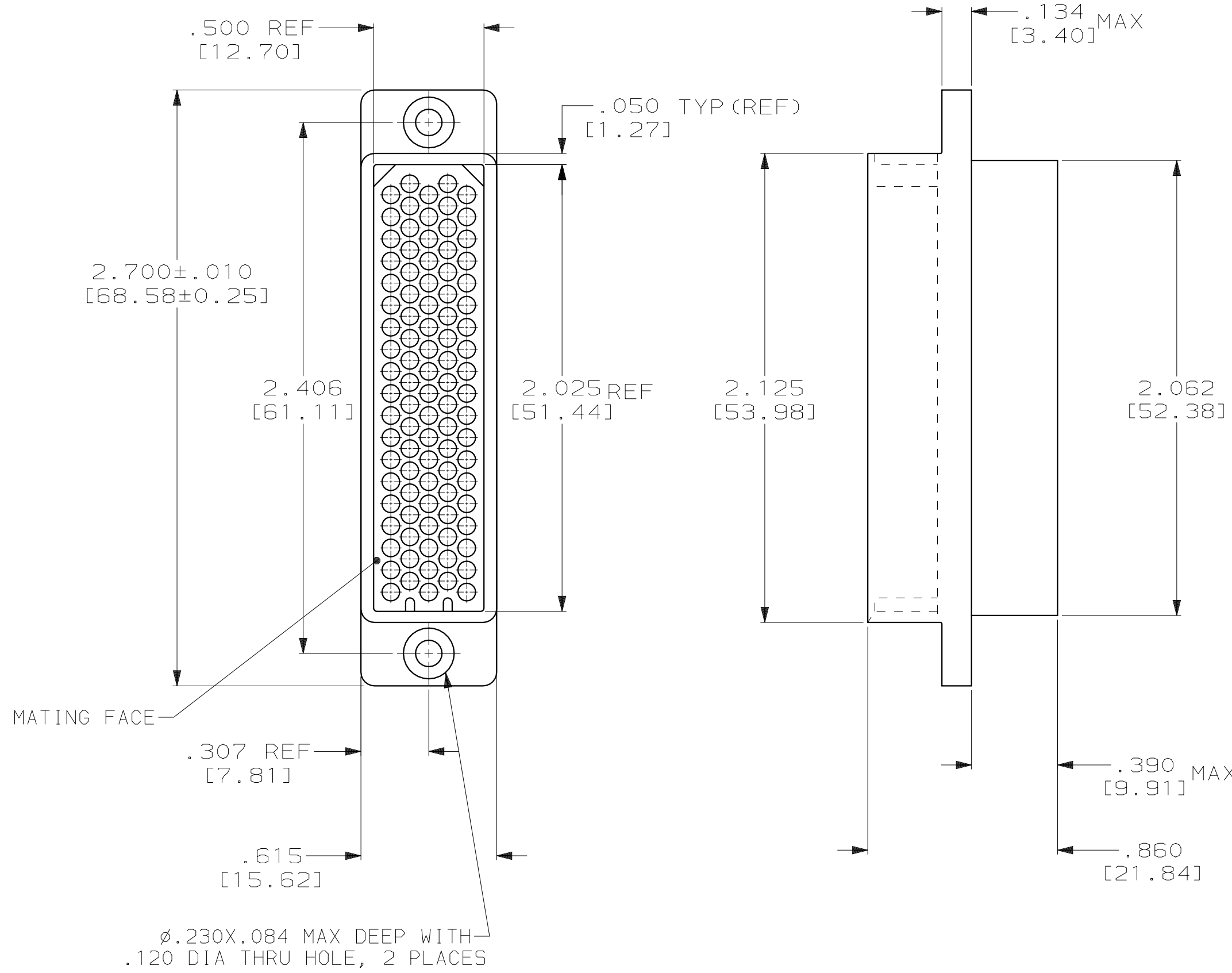


THIS DRAWING IS UNPUBLISHED. RELEASED FOR PUBLICATION
 BY AMP INCORPORATED. ALL RIGHTS RESERVED.

LOC		DIST		REVISIONS			
P	LTR	DESCRIPTION		DATE	DWN	APVD	
0		DRAW PER DR, 6-129F		11-12-96	JB	DM	



- 1. WILL ACCEPT AMP TYPE XI PIN OR SOCKET CONTACTS.
- 2. DIALYL PHTHALATE (BLUE) PER MIL-M-14 TYPE SDG.

204027-2 AS SHOWN

THIS DRAWING IS A CONTROLLED DOCUMENT.		DWN	J. A. Baker	11-12-96	AMP Incorporated Harrisburg, PA 17105-3608			
DIMENSIONS: IN (MM)		CHK	D. MUMMEY	11-12-96				
TOLERANCES UNLESS OTHERWISE SPECIFIED:		APVD	D. MUMMEY	11-12-96				
0 PLC ±- 1 PLC ±- 2 PLC ±- 3 PLC ±.005 [0.13] 4 PLC ±- ANGLES ±-		PRODUCT SPEC	NAME			RECEPTACLE BLOCK, 95 POSITION ("HDR" SERIES)		
MATERIAL	FINISH	APPLIC. SPEC	-		SIZE	CAGE CODE	DRAWING NO	RESTRICTED TO
2	-	WEIGHT	-		A2	00779	C-204027	-
CUSTOMER DRAWING					SCALE	2:1	SHEET	1 OF 1
					REV	0		