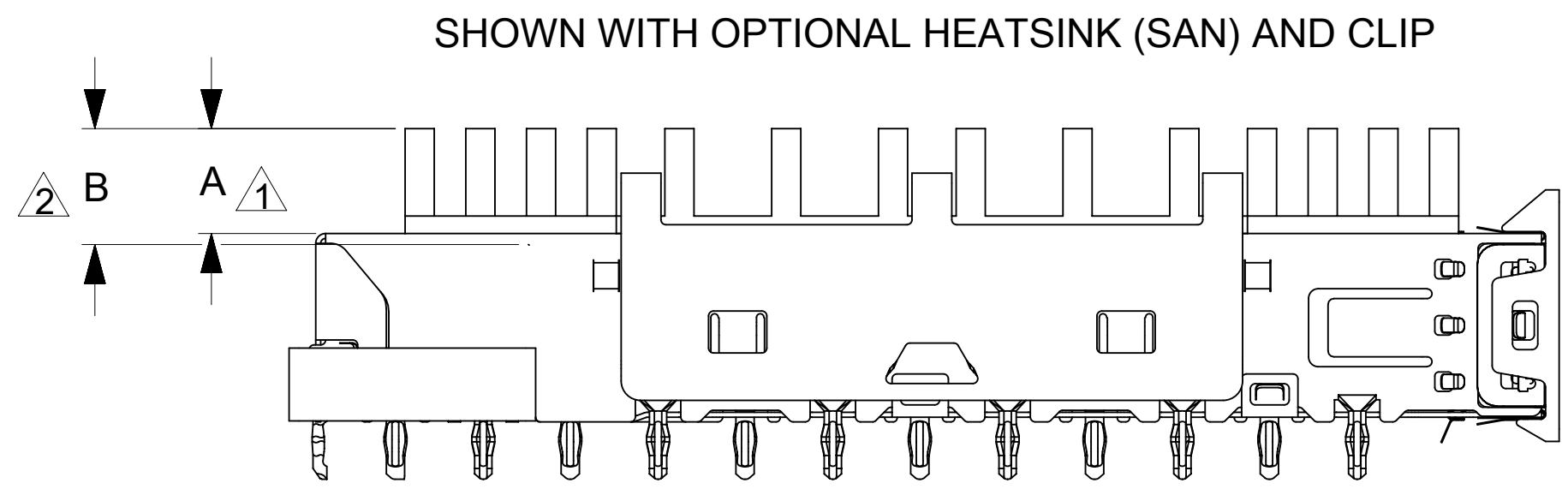


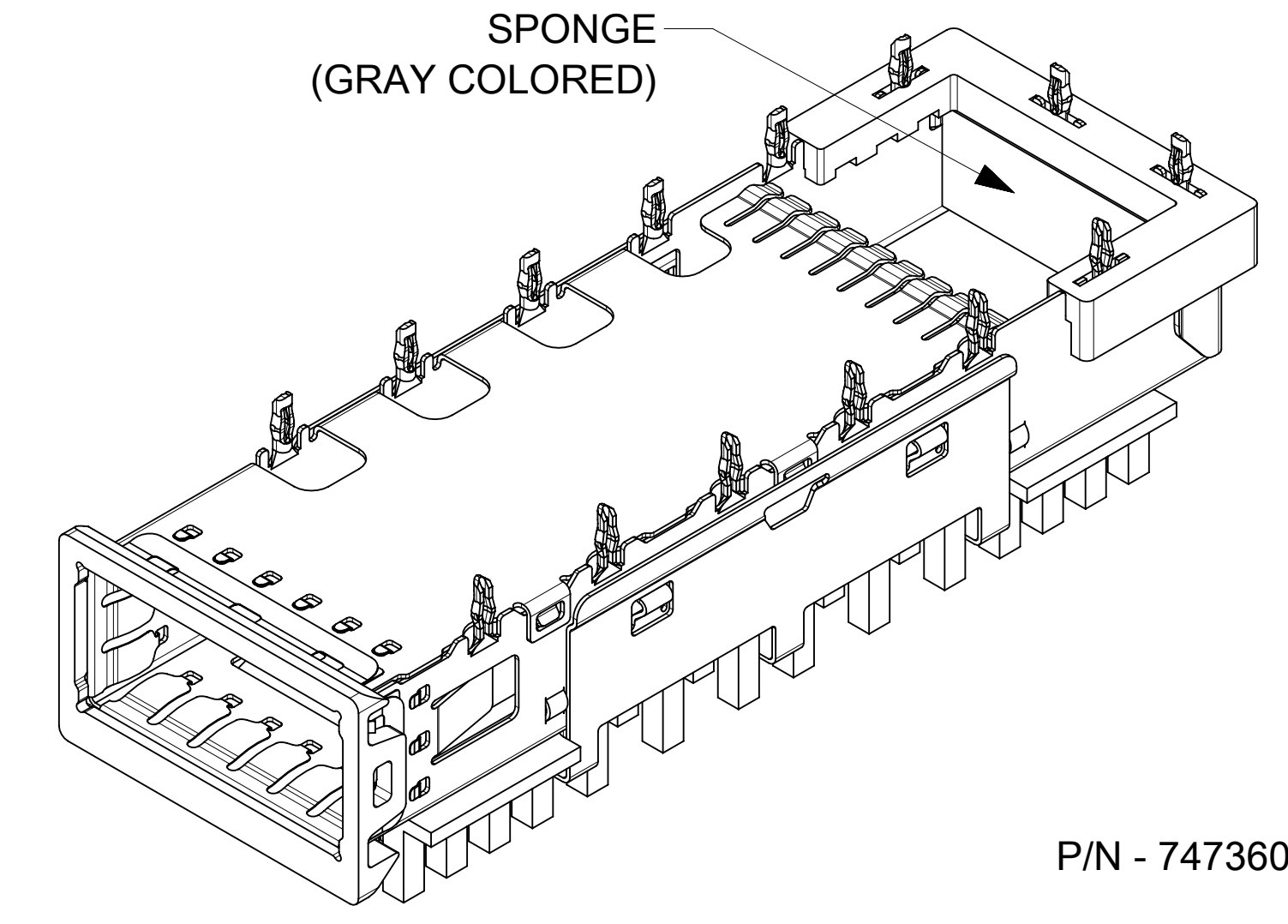
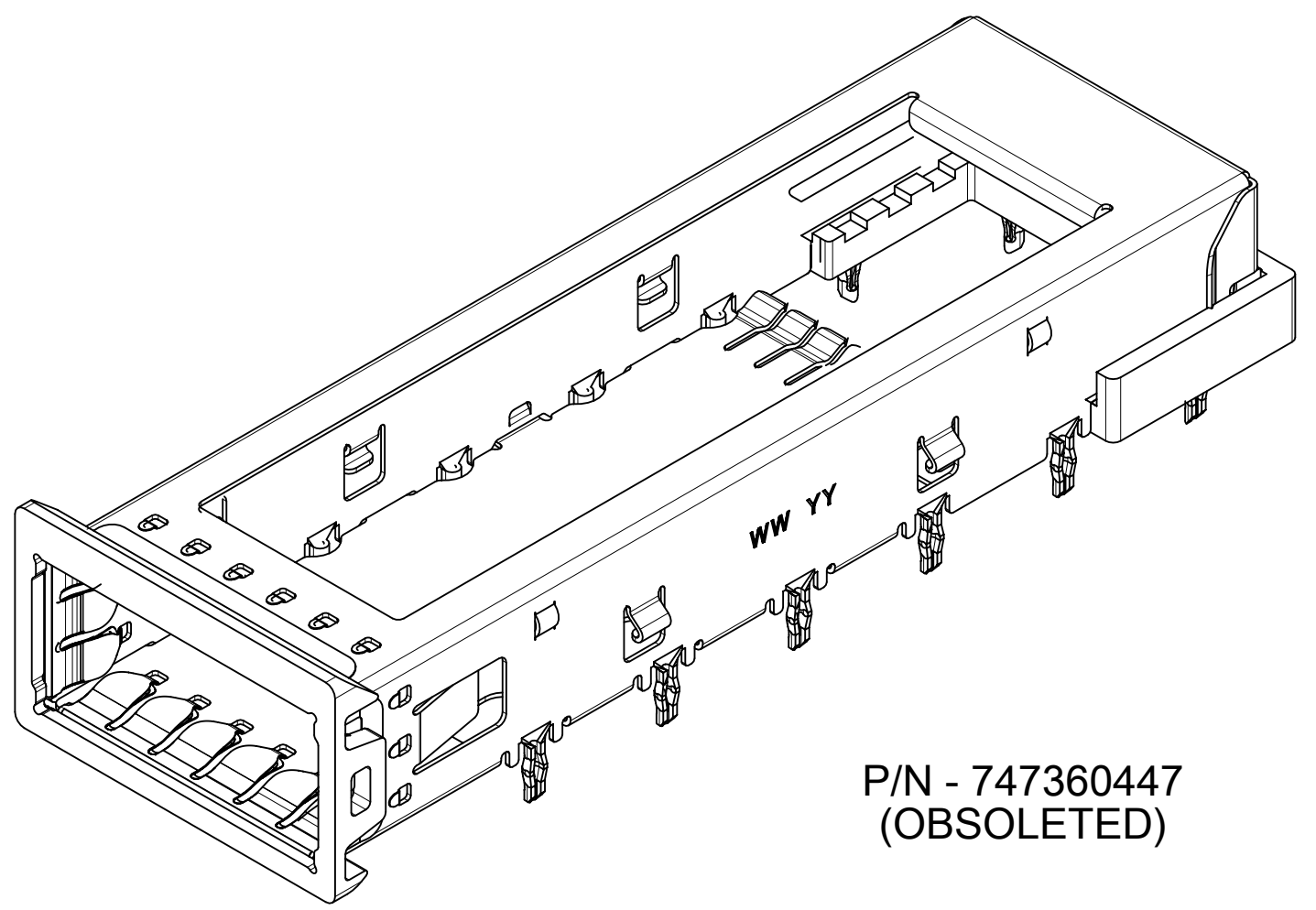
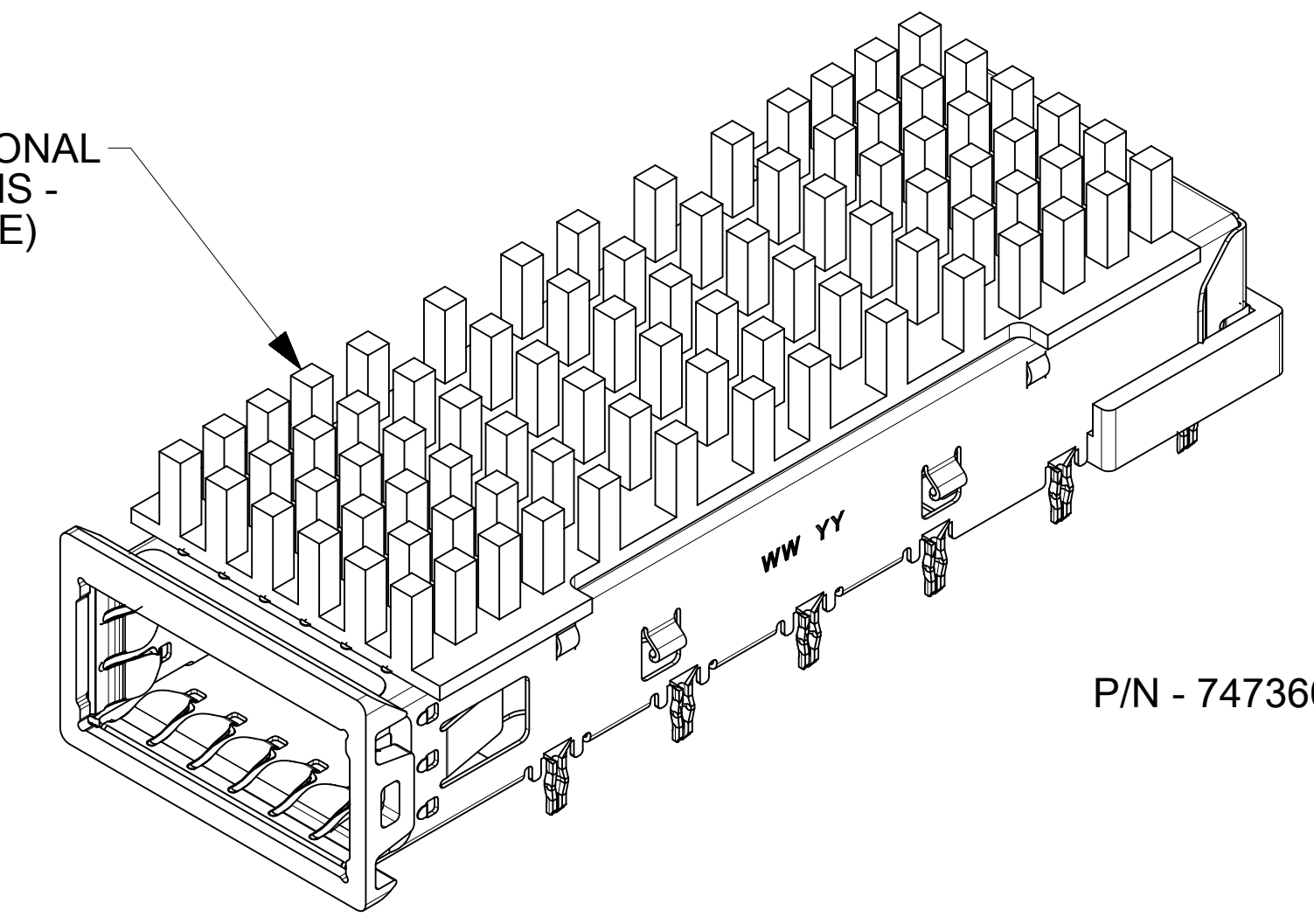
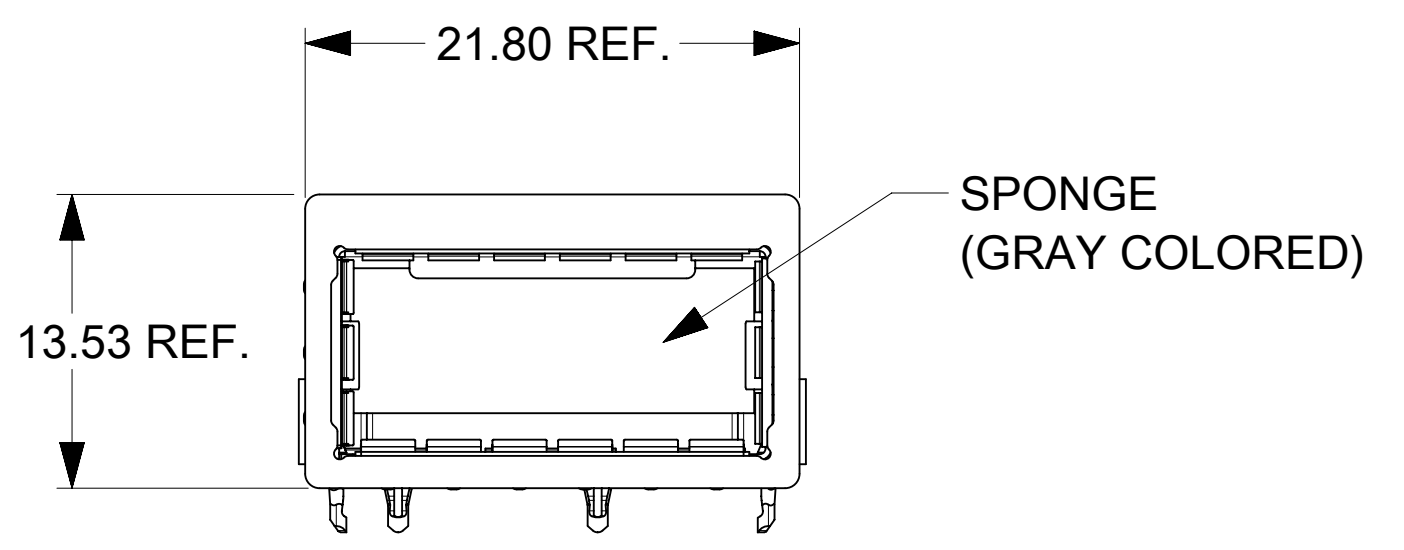
COMPLIANT EMI GASKET  
(DARK COLORED - GRAY)



SHOWN WITH OPTIONAL HEATSINK (SAN) AND CLIP

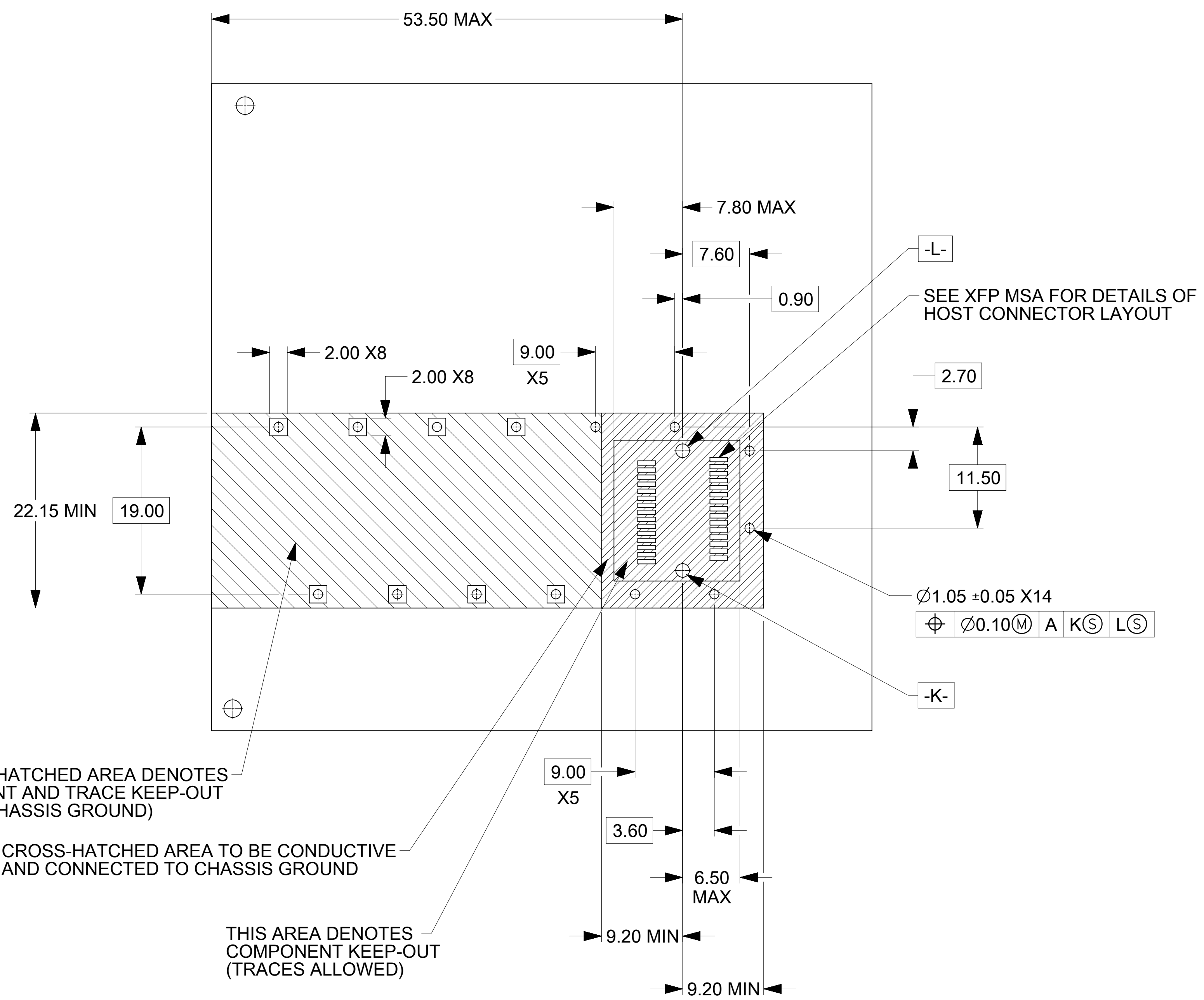
- 1. MAXIMUM HEIGHT OF HEATSINK WITH MODULE INSERTED
- 2. OVERALL HEIGHT OF HEATSINK
- 3. OTHER HEATSINK DESIGNS ARE AVAILABLE INCLUDING CUSTOM DESIGNS

HEATSINK SINK AND CLIP ARE OPTIONAL  
(SEE CHART FOR HEATSINK OPTIONS -  
CUSTOM HEATSINKS ARE AVAILABLE)



| PART NUMBERS FOR XFP CAGE ASSEMBLY & PARTS |       |       |                                    |             |                             |
|--|-------|-------|------------------------------------|-------------|-----------------------------|
| P/N  | DIM A | DIM B | DESCRIPTION                        | POWER LEVEL | THERMAL RESISTANCE @200 LFM |
| 747360449                                  | 6.3   | 6.5   | XFP CAGE WITH SAN HEATSINK (SHOWN) | UP TO 2.5W  | <11.5 C/W                   |
| 747360450                                  | 13.3  | 13.5  | XFP CAGE WITH TALL HEATSINK        | UP TO 3.5W  | <8.0 C/W                    |
| 747360230                                  | N/A   | N/A   | HEATSINK CLIP ONLY                 | N/A         | N/A                         |
| 747360240                                  | N/A   | N/A   | PCI HEATSINK ONLY                  | UP TO 1.5W  | <18.0 C/W                   |
| 747360241                                  | N/A   | N/A   | SAN HEATSINK ONLY                  | UP TO 2.5W  | <11.5 C/W                   |
| 747360242                                  | N/A   | N/A   | TALL HEATSINK ONLY                 | UP TO 3.5W  | <8.0 C/W                    |

|  |   |                   |               |                                |
|--|---|-------------------|---------------|--------------------------------|
| FUNCTIONAL SYMBOLS<br>FA = 0<br>FE = 0<br>FP = 0     | THIS DRAWING CONTAINS INFORMATION THAT IS PROPRIETARY TO MOLEX ELECTRONIC TECHNOLOGIES, LLC AND SHOULD NOT BE USED WITHOUT WRITTEN PERMISSION | CURRENT REV DESC: |               | <b>molex</b>                   |
|  | DIMENSION UNITS: mm   | SCALE: 3:1        | EC NO: 728791 |                                |
| DIVISIONAL SYMBOLS                                   | GENERAL TOLERANCES (UNLESS SPECIFIED)   | MM                | INCH          | PRODUCT CUSTOMER DRAWING       |
| 4 PLACES ±   |   |                   |               |                                |
| 3 PLACES ±   |   |                   |               | DOC TYPE: PSD                  |
| 2 PLACES ±   |   |                   |               |                                |
| 1 PLACE ±  |   |                   |               | REVISION: F3                   |
| 0 PLACES ±   |   |                   |               |                                |
| ANGULAR TOL ± 1.0°                                   |   |                   |               |                                |
| DRAFT WHERE APPLICABLE MUST REMAIN WITHIN DIMENSIONS | THIRD ANGLE PROJECTION  | DRAWING: D-SIZE   | SERIES: 74736 | MATERIAL NUMBER: SEE P/N TABLE |
|  |   |                   |               | CUSTOMER: GENERAL MARKET       |
|  |   |                   |               | SHEET NUMBER: 1 OF 3           |

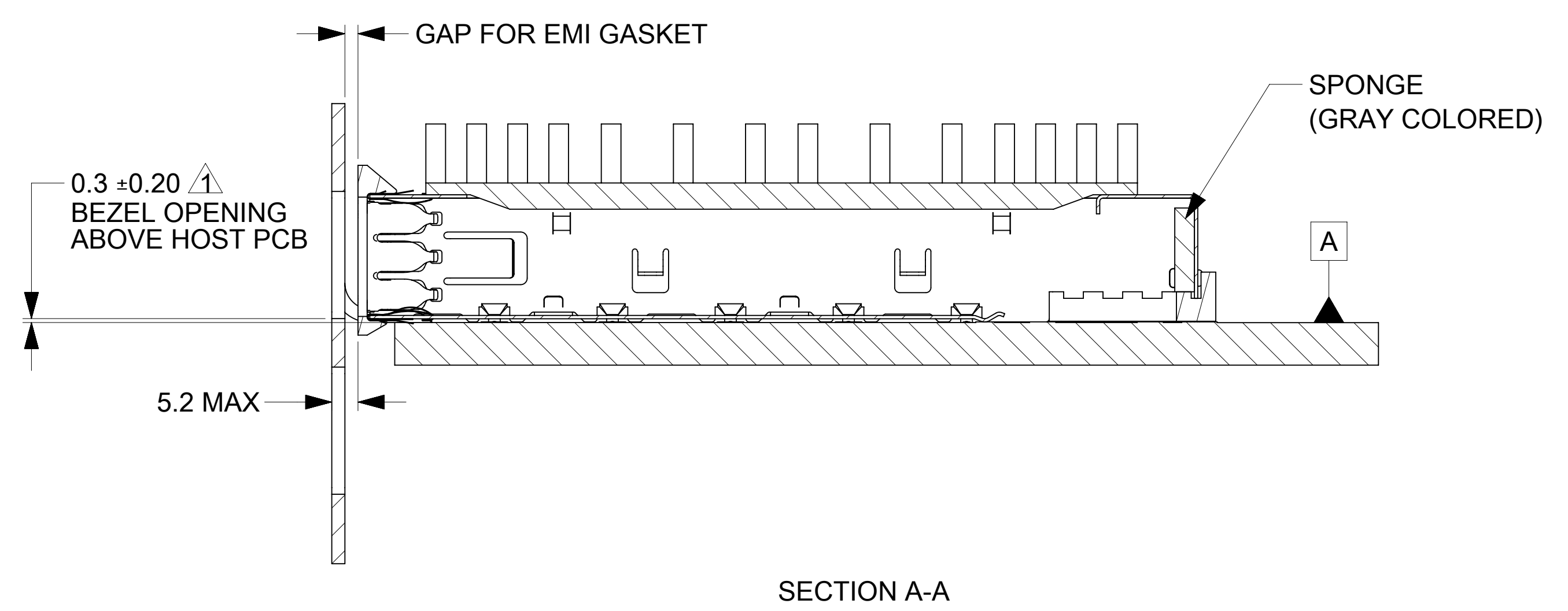
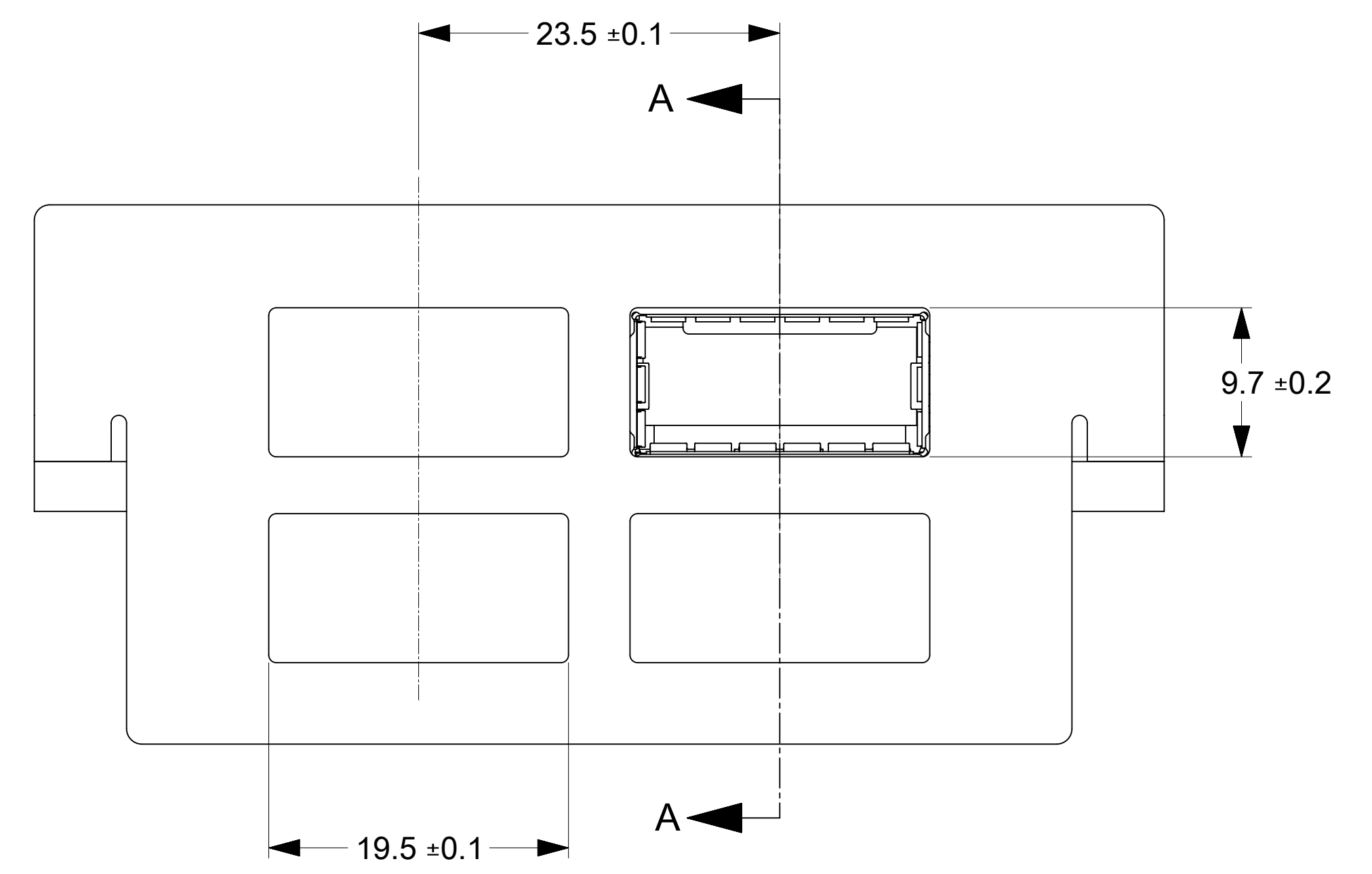


CROSSED-HATCHED AREA DENOTES COMPONENT AND TRACE KEEP-OUT (EXCEPT CHASSIS GROUND)

CROSS-HATCHED AREA TO BE CONDUCTIVE AND CONNECTED TO CHASSIS GROUND

THIS AREA DENOTES COMPONENT KEEP-OUT (TRACES ALLOWED)


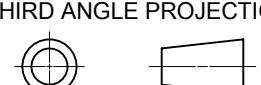
▲ FOR PCI APPLICATIONS RECOMMENDED DIMENSION IS 0.4 ±0.1



|                    |   |                                       |     |  |  |  |  |  |  |  |                                    |
|--------------------|---|---------------------------------------|-----|--|--|--|--|--|--|--|------------------------------------|
| FUNCTIONAL SYMBOLS | THIS DRAWING CONTAINS INFORMATION THAT IS PROPRIETARY TO MOLEX ELECTRONIC TECHNOLOGIES, LLC AND SHOULD NOT BE USED WITHOUT WRITTEN PERMISSION |                                       |     |  |  |  |  |  |  |  |                                    |
|                    | FA = 0  | mm                                    | 3:1 | CURRENT REV DESC:                                    |  |  |  |  |  |  | <p>XFP CAGE ASSEMBLY W/ 3D LEG</p> |
|                    | FC = 0  | GENERAL TOLERANCES (UNLESS SPECIFIED) |     | EC NO: 728791  |  |  |  |  |  |  |                                    |
|                    | FP = 0  |                                       |     | DRWN: DKUMARG 2022/11/16                             |  |  |  |  |  |  |                                    |
| DIVISIONAL SYMBOLS |   |                                       |     | CHK'D: SMALLESHAPPA 2022/11/16                       |  |  |  |  |  |  |                                    |
|                    |   |                                       |     | APPR: SCHIEN 2022/11/17                              |  |  |  |  |  |  |                                    |
|                    |   |                                       |     | INITIAL REVISION:                                    |  |  |  |  |  |  |                                    |
|                    |   |                                       |     | DRWN: CHIRSCHY 2008/09/25                            |  |  |  |  |  |  |                                    |
|                    |   |                                       |     | APPR: RMAHMOOD 2008/09/26                            |  |  |  |  |  |  |                                    |
|                    |   |                                       |     | ANGULAR TOL ± 1.0°                                   |  |  |  |  |  |  |                                    |
|                    |   |                                       |     | DRAFT WHERE APPLICABLE MUST REMAIN WITHIN DIMENSIONS |  |  |  |  |  |  |                                    |
|                    |   |                                       |     | THIRD ANGLE PROJECTION                               |  |  |  |  |  |  |                                    |
|                    |   |                                       |     | DRAWING SERIES MATERIAL NUMBER CUSTOMER SHEET NUMBER |  |  |  |  |  |  |                                    |
|                    |   |                                       |     | D-SIZE 74736 SEE P/N TABLE GENERAL MARKET 2 OF 3     |  |  |  |  |  |  |                                    |

|                 |    |              |                     |
|-----------------|----|--------------|---------------------|
| DOCUMENT STATUS | P1 | RELEASE DATE | 2022/11/17 01:55:17 |
|-----------------|----|--------------|---------------------|

| DATE       | REV | DESCRIPTION   |
|------------|-----|---|
| 2008/09/19 | A   | INITIAL RELEASE   |
| 2008/12/15 | B   | 1. ADDED TEXT (DARK COLORED) TO COMPLIANT EMI GASKET NOTE   |
| 2010/03/01 | C   | 1. ADDED NOTE TO PAGE 2 - THIS AREA DENOTES COMPONENT KEEP-OUT (TRACES ALLOWED) TO VIEW.<br>2. REMOVED NOTE 2 FROM PAGE 2.                                |
| 2010/11/02 | D   | 1.13.53 REF. DIMENSION WAS 12.95 REF.<br>2. ADD 1 PLACE TOLERANCE OF ±0.25 TO TITLE BLOCK   |
| 2013/04/23 | E   | 1. ADDED 747360453.   |
| 2019/02/04 | F   | 1. OBSOLETE PART NUMBER 747360448.  |
| 2019/12/11 | F1  | 1. OBSOLETE P/N 0747360447 AND 747360453  |
| 2021/01/07 | F2  | SHEET 1: E17: REMOVED THE VIEW OF 747360453.<br>J09 & H05: ADDED A NOTE FOR SPONGE(GRAY COLORED).<br>SHEET 2: G03: ADDED A NOTE FOR SPONGE(GRAY COLORED). |
| 2022/11/16 | F3  | SHEET 01 : K12 : CORRECTED TYPO OF DIMENSION FROM 12.95 REF TO 13.53 REF FOR THE FG P/N 747360449 AND 747360450.  |
|            |     |   |

|  |   |  |                                       |   |  |
|--|---|--|---------------------------------------|---|--|
| FUNCTIONAL SYMBOLS<br>FA = 0<br>FC = 0<br>FP = 0 | THIS DRAWING CONTAINS INFORMATION THAT IS PROPRIETARY TO MOLEX ELECTRONIC TECHNOLOGIES, LLC AND SHOULD NOT BE USED WITHOUT WRITTEN PERMISSION |  | CURRENT REV DESC:                     |   |   |
|  | DIMENSION UNITS<br><b>mm</b>  | SCALE<br><b>1:1</b>                                  | GENERAL TOLERANCES (UNLESS SPECIFIED) |   |  |
| DIVISIONAL SYMBOLS                               | 4 PLACES ±  | MM   | INCH                                  | EC NO: 728791   | <b>PRODUCT CUSTOMER DRAWING</b><br>DOCUMENT NUMBER: <b>SD-74736-0448</b>   DOC TYPE: PSD   DOC PART: 001   REVISION: <b>F3</b> |
|  | 3 PLACES ±  |  |                                       | DRWN: DKUMARG 2022/11/16  |  |
|  | 2 PLACES ± 0.1 ±  |  |                                       | CHK'D: SMALLESHAPPA 2022/11/16  |  |
|  | 1 PLACE ± 0.25 ±  |  |                                       | APPR: SCHIEN 2022/11/17   |  |
|  | 0 PLACES ±  |  |                                       | INITIAL REVISION:<br>DRWN: CHIRSCHY 2008/09/25<br>APPR: RMAHMOOD 2008/09/26                         |  |
|  | ANGULAR TOL ± 1.0 °   | DRAFT WHERE APPLICABLE MUST REMAIN WITHIN DIMENSIONS |                                       |  <b>D-SIZE</b> | SERIES: <b>74736</b><br>MATERIAL NUMBER: SEE P/N TABLE<br>CUSTOMER: GENERAL MARKET<br>SHEET NUMBER: 3 OF 3                     |