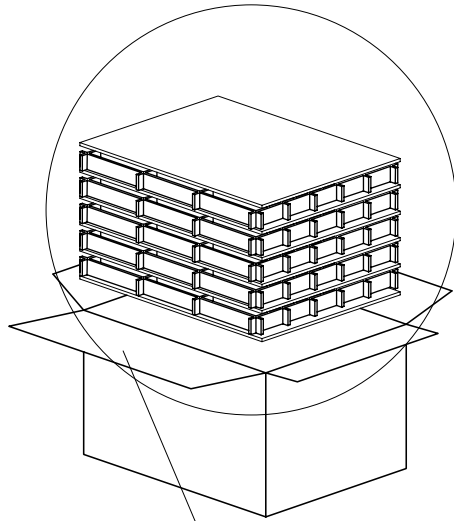




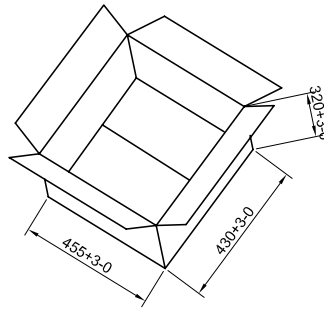
**PROPRIETARY INFORMATION:**  
 PROPRIETARY OF GLOBTEK, INC. ANY REPRODUCTION, DISCLOSURE OR  
 USE OF THIS DRAWING, IN WHOLE OR IN PART, IS HEREBY  
 PROHIBITED EXCEPT AS SPECIFIED IN WRITING BY GLOBTEK, INC.

**PACKING**

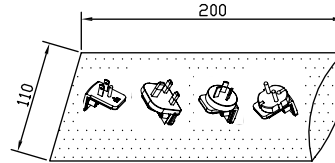
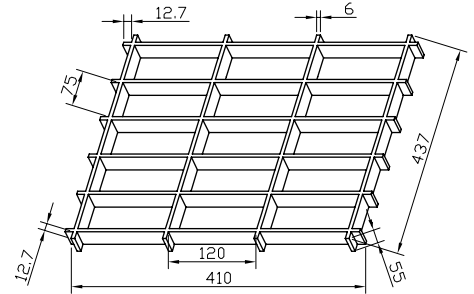


900x900  
(Moisture-proof bags of PE)

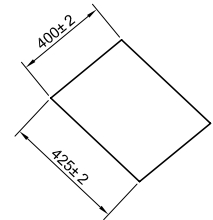
300 PCS/CARTON (60PCS\*5)



OUTSIDE CARTON



PE BAG 200\*110



PARTITION

5	5PCS	CELL PARTITION	413-02240023(R)
4	1PCS	OUTER CARTON	412-02240017(R)
3	6PCS	PARTITION	413-02240024(R)
2	75PCS	PE BAG	465-01200110(R)
1	1PCS	POLY BAG	465-00900900(R)

**GlobTek, Inc.** 186 Veterans Dr. Northvale, NJ 07647  
 www.globtek.com Tel. 201-784-1000 Fax 201.784.0111

DWG TITLE: INTERCHANGEABLE PLUG KIT

MODEL NO: N/A

REV.  
A

PART NO: R-KIT-3(R)

SHEET 2 OF 2