

THIS DRAWING IS UNPUBLISHED.

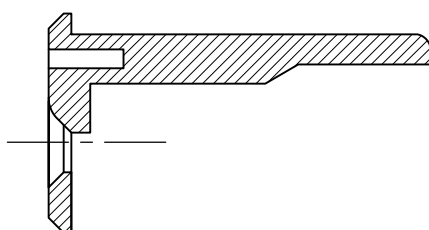
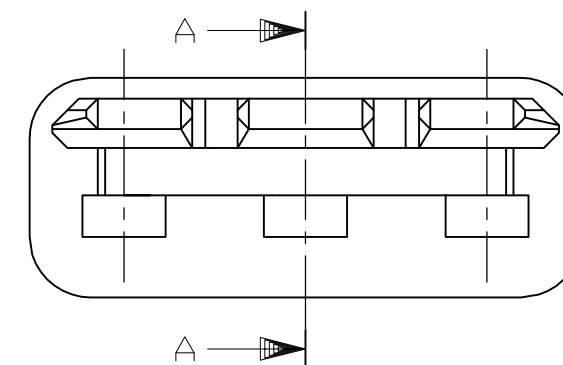
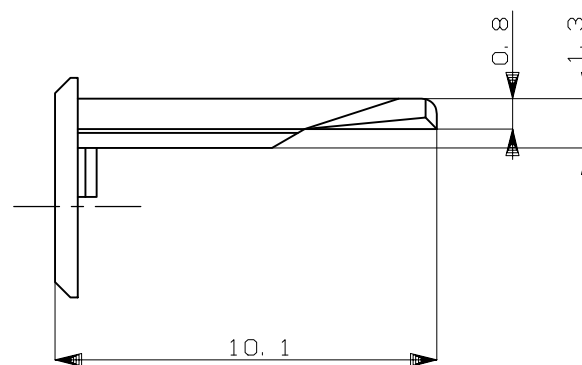
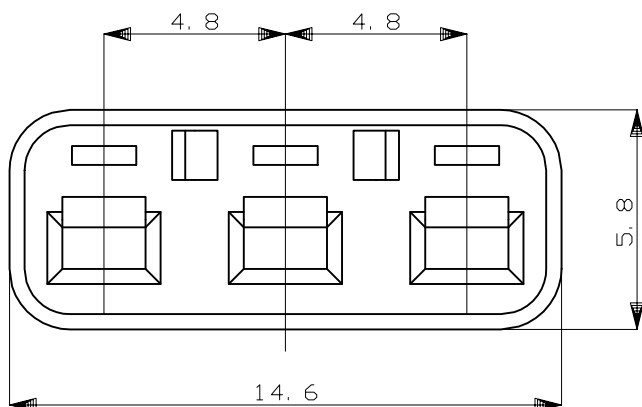
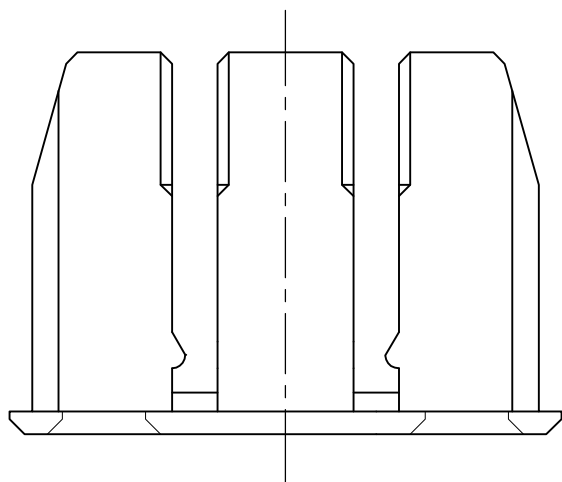
RELEASED FOR PUBLICATION

ALL RIGHTS RESERVED.

© COPYRIGHT - By -

REVISIONS

P	LTR	DESCRIPTION	DATE	DWN	APVD
	C2	REVISED	ECR-18-009736	22JUN2018	TS HY



SECTION 断面 A-A

1. 本品は、プラグハウジング型番174357及び2822390に装着される。

1. TO BE MATED WITH PLUG HOUSING PART NUMBER 174357 AND 2822390

HB	自然色 (NATURAL)	1-174358-1
V-2	黄 (YELLOW)	174358-7
使用材料難燃グレード (FLAMMABILITY OF MATERIAL)	色 (COLOR)	型番 (PART NUMBER)

THIS DRAWING IS A CONTROLLED DOCUMENT.		DWN K.ODA 8/19'87	STE TE Connectivity Ltd.		
DIMENSIONS: mm		CHK Y.MATSUSAKA 8/24'87			
TOLERANCES UNLESS OTHERWISE SPECIFIED:		APVD M.NOBUCHI 8/25'87	NAME 3P. ECONOSEAL J-MARKII+ CONNECTOR DOUBLE LOCK PLATE FOR PLUG HOUSING		
0 PLC ± -		PRODUCT SPEC 108-5262	SIZE A3		
1 PLC ± -		APPLICATION SPEC -	CAGE CODE 00779	DRAWING NO C-174358	RESTRICTED TO -
2 PLC ± -		WEIGHT 0.19 g	SCALE 5:1		
3 PLC ± -		CUSTOMER DRAWING	SHEET 1 OF 1		
4 PLC ± -		MATERIAL PBT	REV C2		
ANGLES ± -					
FINISH -					

GENERAL TOLERANCE	
0 < * ≤ 10	: ±0.2
10 < * ≤ 30	: ±0.25
30 < * ≤ 100	: ±0.3
ANGLES	: ±3°