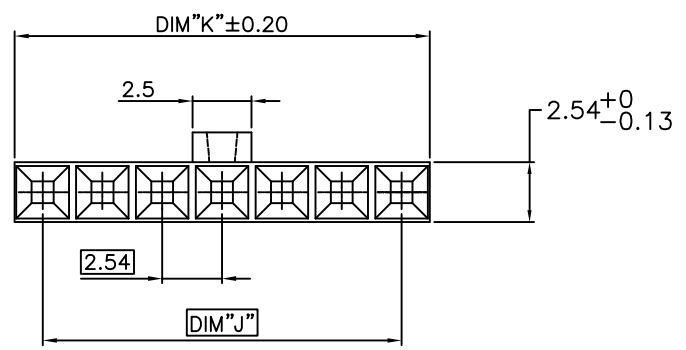
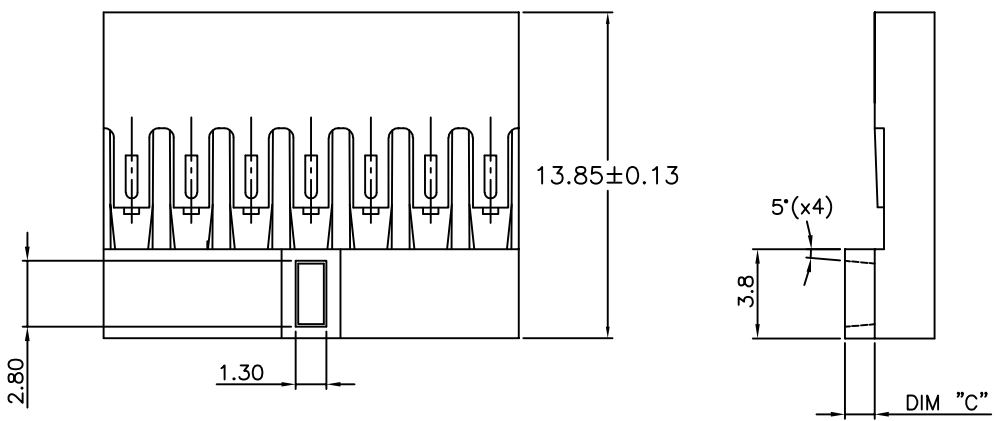


FCI CONFIDENTIAL



This document is the property of and embodies CONFIDENTIAL and PROPRIETARY information of FCI. No part of the information shown on this document may be used in any way or disclosed to others without the written consent of FCI. Copyright FCI.

| PRODUCT NUMBER | NO. OF POS | DIM K | DIM J | DIM C | DIM W DIM Z | |
|----------------|------------|-------|-------|-------|----------------|------|
| 78211-003 | LF | 3 | 7.47 | 5.08 | 1.35 | 0.05 |
| 78211-004 | LF | 4 | 10.01 | 7.62 | 1.35 | 0.05 |
| 78211-005 | LF | 5 | 12.55 | 10.16 | 1.35 | 0.05 |
| 78211-006 | LF | 6 | 15.09 | 12.70 | 1.35 | 0.10 |
| 78211-007 | LF | 7 | 17.63 | 15.24 | 1.35 | 0.10 |
| 78211-008 | LF | 8 | 20.17 | 17.78 | 1.35 | 0.10 |
| 78211-009 | LF | 9 | 22.71 | 20.32 | 1.35 | 0.10 |
| 78211-010 | LF | 10 | 25.25 | 22.86 | 1.35 | 0.10 |
| 78211-011 | LF | 11 | 27.79 | 25.40 | 1.35 | 0.15 |
| 78211-012 | LF | 12 | 30.33 | 27.94 | 1.35 | 0.15 |
| 78211-013 | LF | 13 | 32.87 | 30.48 | 1.35 | 0.15 |
| 78211-014 | LF | 14 | 35.41 | 33.02 | 1.35 | 0.15 |
| 78211-015 | LF | 15 | 37.95 | 35.56 | 1.35 | 0.15 |
| 78211-103 | LF | 3 | 7.47 | 5.08 | 2.54 | 0.05 |
| 78211-105 | LF | 5 | 12.55 | 10.16 | 2.54 | 0.05 |
| 78211-106 | LF | 6 | 15.09 | 12.70 | 2.54 | 0.10 |



NOTES:

- MOLDING MATERIAL : MODIFIED POLYPHELYNENE
COLOR BLACK, UL 94 V0
- LATCH MUST WITHSTAND 18N MIN PULL OUT FORCE
- STANDARD PACKAGING IN POLYBAGS
- TERMINALS MUST BE CRIMPED PROPERLY FOR SATISFACTORY LATCHING :
 - FOR CRIMPING INSTRUCTIONS, SEE TA-75 AND TA-295
 - FOR TERMINAL APPLICATION SEE TA-531.
 PRODUCT SPECIFICATION: BUS-12-067.
- THIS HOUSING IS INTENDED FOR USE WITH MINI PV TERMINAL WITH 22-36 GAUGE WIRE
- RoHS COMPLIANT PRODUCT SPECIFICATIONS :
 - MEETS PACKAGING SPECS AS PER GS-14-920
 - PRODUCT MEETS EUROPEAN UNION DIRECTIVES AND OTHER COUNTRY REGULATIONS AS DESCRIBED IN GS-22-008.
 - THE PRODUCT IS NOT INTENDED TO BE EXPOSED TO A MANUFACTURING SOLDER PROCESS.

| | | | | | | | | | |
|-------------------------|----------|---------------------|----------|---------------------------------------|--------|----------------------|-----------|--|--|
| mat'l. code 10036738 | | surface ISO 1302 | | tolerance ISO 406 ISO 1101 | | projection mm | | product family BERGCON | |
| ltr | ecn no | dr | date | tolerances unless otherwise specified | | mm | | title MINI LATCH HOUSING SR POLARIZED | |
| K | V07-0533 | HTB | 07.08.21 | angles | linear | .X ±0.3 | scale 5:1 | dwg no 78211 | |
| L | B-14321 | LMU | 13.03.21 | | | .XX ±0.13 | | sheet 1 of 1 size A3 | |
| M | F-30075 | DDE | 18.05.03 | | | .XXX ±0.05 | | type CUSTOMER Drawing | |
| sheet index | | revision sheet | | dr | | L.MULIN 13.03.21 | | FCI | |
| | | | | enrg | | L.MULIN 13.03.21 | | | |
| | | | | chr | | J.COMPAGNON 13.03.21 | | | |
| | | | | appd | | LMU 13.03.21 | | | |